

Thermofit® Molded Parts Specification Control Drawing

Part Number: 343A014 & 027
Description: Transition, 45°

Notes:

- All dimensions are in $\frac{\text{Inches}}{[\text{Millimeters}]}$; $\frac{\text{lbs}}{[\text{gms}]}$
- Dimensions appearing in table are as follows:
a - as supplied
b - after unrestricted recovery
- Coating is optional. As supplied dimensions appearing in table are for uncoated parts. When coating is added, entry diameters will be reduced by .06 max.
- Molding ports are optional. When -00 modification number is specified molding ports will be located as shown.
- Weight shown in table of dimensions is based on polyolefin part.

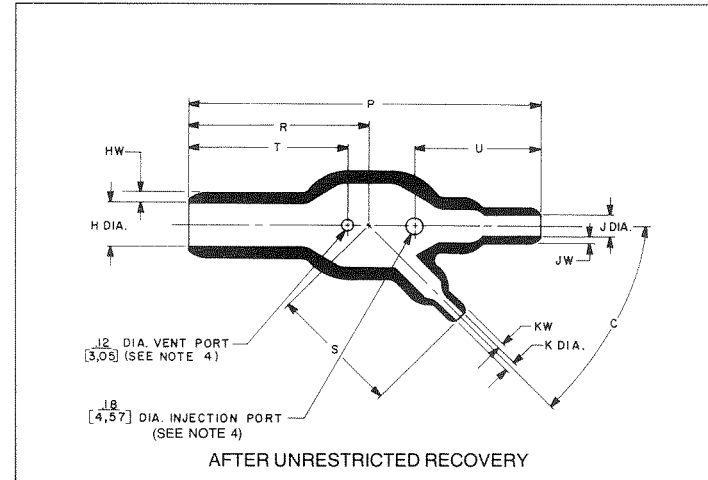
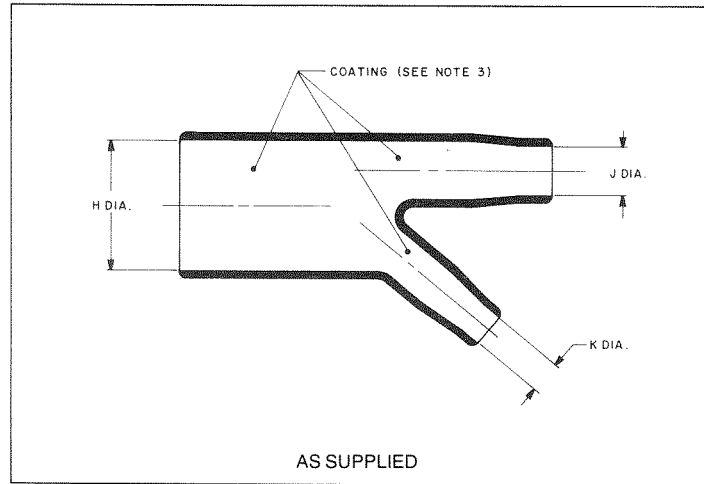


Table of Dimensions																	
Part Number	H		J		K		P	R	S	T	U	HW	JW	KW	C		Weight
	Min a	Max b	Min a	Max b	Min a	Max b	± 10% b	± 10% b	± 10% b	Ref b	Ref b	± 20% b	± 20% b	± 20% b	± 10° a	± 5° b	
343A014	1.06 [26,9]	.49 [12,4]	.52 [13,2]	.24 [6,1]	.26 [6,6]	.12 [3,0]	3.16 [80,3]	1.62 [41,1]	1.18 [30,0]	1.17 [29,7]	.97 [24,6]	.10 [2,54]	.06 [1,52]	.04 [1,02]	40	45	.027 [12,2]
343A027	2.19 [55,6]	1.00 [25,4]	1.06 [26,9]	.49 [12,4]	.52 [13,2]	.24 [6,1]	6.38 [162,1]	3.28 [83,3]	2.36 [59,9]	2.44 [62,0]	1.98 [50,3]	.18 [4,57]	.10 [2,54]	.06 [1,52]	40	45	.205 [93,0]

**If this document is printed it becomes uncontrolled.
Check for the latest revision.**

Thermofit[®] Molded Parts Specification Control Drawing

Part Number: 343A014 & 027
Description: Transition, 45°

Compatibility Chart

Material Dash No.	Material Description	RT Spec	Coating Slash No.	Coating S No.	Coating Description
- 3	Polyolefin, Semi-Rigid	RT-301	/42	S-1017	Adhesive
- 4	Polyolefin, Flexible	RT-1304	/42	S-1017	Adhesive
- 5	Neoprene	RT-501	/42	S-1017	Adhesive
- 6	Silicone, Flame Retarded	RT-602			
- 25	Elastomer, Fluid Resistant	RT-1325			

If this document is printed it becomes uncontrolled.
Check for the latest revision.

Ordering Information:

343A0XX — XX — XX / XX

Base part number _____

Material dash number _____
(see compatibility chart)

Modification number _____
(if necessary, see front of SCD binder
for a complete modification list)

Adhesive slash number _____
(if necessary, see compatibility chart)

This drawing is subject to change without notice; consult your nearest field representative for current revision.

Raychem

Raychem Corporation
300 Constitution Drive
Menlo Park, California 94025
415) 361 6055

Revision: **D**
Date: **3-19-85**

Part Number: 343A014 & 027
Description: Transition, 45°

单击下面可查看定价，库存，交付和生命周期等信息

[>>TE Connectivity\(泰科\)](#)