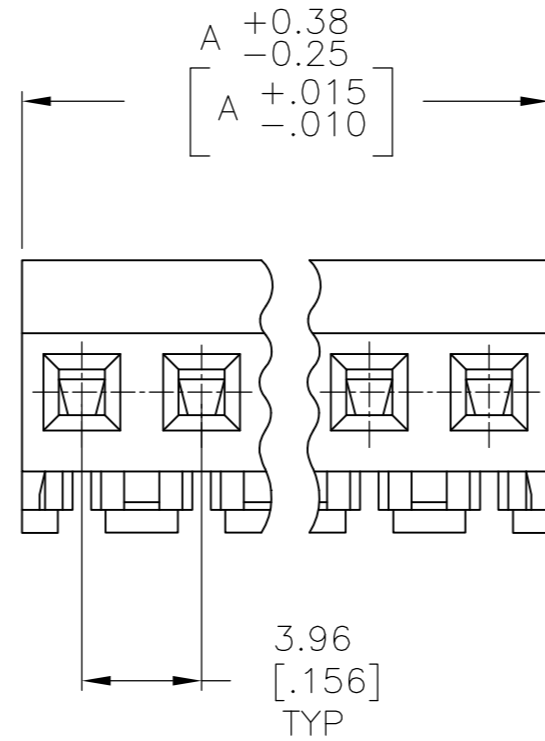
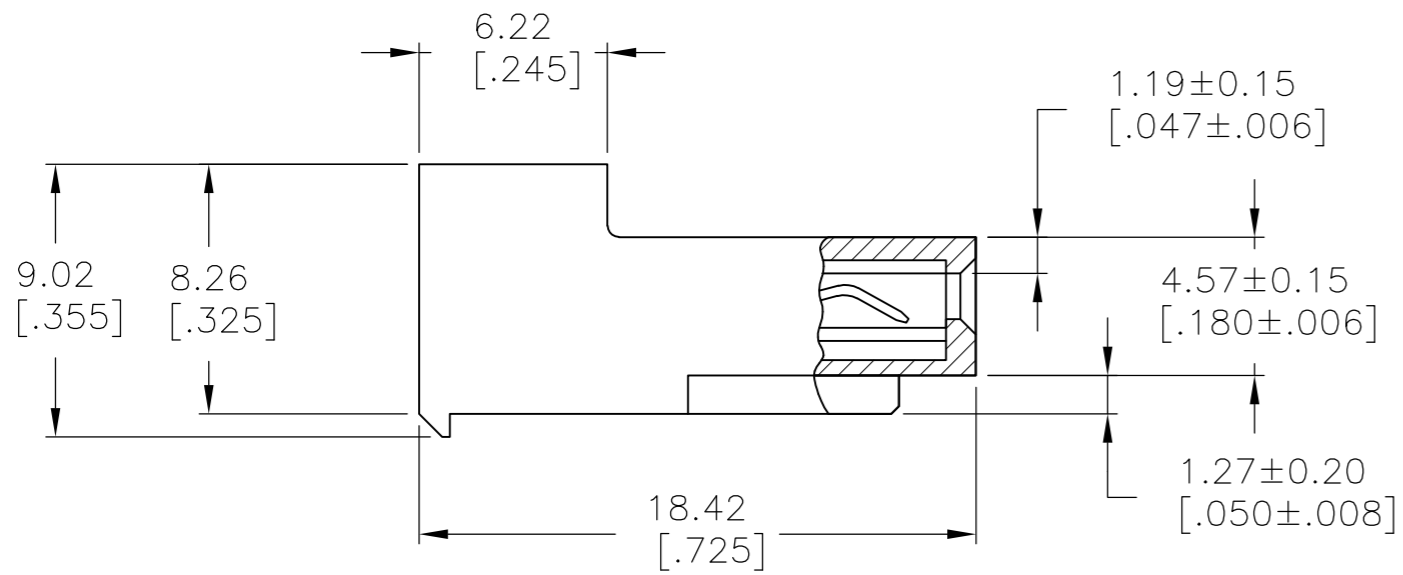
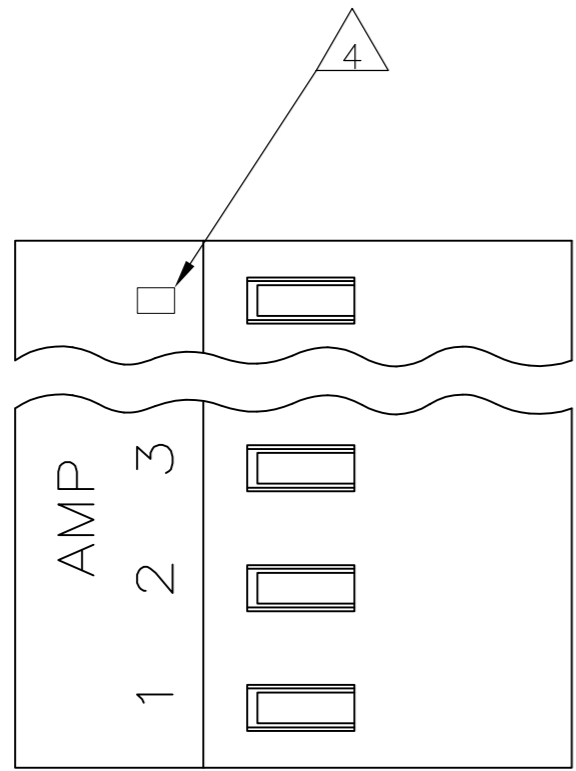


THIS DRAWING IS UNPUBLISHED. RELEASED FOR PUBLICATION
 © COPYRIGHT - By - TE CONNECTIVITY ALL RIGHTS RESERVED.

| LOC | DIST | REVISIONS | | | |
|-----|------|---------------------------|-----------|-----|------|
| P | LTR | DESCRIPTION | DATE | DWN | APVD |
| CM | 00 | | | | |
| | N | REVISED PER ECR-20-000826 | 29MAY2020 | PC | SW |



1 MATERIAL: CONNECTOR - NYLON UL94V-2 (BLUE).
 CONTACTS - 0.30[.012] THICK COPPER ALLOY
 0.00076[.000030] GOLD THK OR 0.00008[.000003] MIN THK
 GOLD FLASH OVER 0.00068[.000027] THK PALLADIUM NICKEL, PER
 TE CONNECTIVITY'S DISCRETION. IN CONTACT
 AREA WITH BRIGHT TIN-LEAD FOR 641226-2
 THRU 2-641226-4, MATTE WHISKER MITIGATED
 TIN FOR 3-641226-2 THRU 5-641226-4 OVER
 NICKEL UNDERPLATE.

2 CONTACTS ACCEPT 26 AWG WIRE WITH 2.41[.095] MAX
 INSULATION DIAMETER.
 3 CONTACTS MUST ACCEPT 1.14±0.03 [.045±.001] SQUARE
 POST AND REMAIN LOCKED IN POSITION.

4 IDENTIFICATION NUMBER FOR LAST CIRCUIT MAY
 NOT APPEAR ON ALL ASSEMBLIES.

5 DIMENSIONS IN BRACKETS ARE IN INCHES.

6 HOUSING FEATURES ARE: CLOSED END WITHOUT
 LOCKING RAMP.

7 OBSOLETE PARTS: OBSOLETE CIS STREAMLINING PER D.RENAUD/D.SINISI

| DIM A | NO OF CIRCUITS | PART NO |
|---------------|----------------|------------|
| 95.10 [3.744] | 24 | 5-641226-4 |
| 91.14 [3.588] | 23 | 5-641226-3 |
| 87.17 [3.432] | 22 | 5-641226-2 |
| 83.21 [3.276] | 21 | 5-641226-1 |
| 79.25 [3.120] | 20 | 5-641226-0 |
| 75.29 [2.964] | 19 | 4-641226-9 |
| 71.32 [2.808] | 18 | 4-641226-8 |
| 67.36 [2.652] | 17 | 4-641226-7 |
| 63.40 [2.496] | 16 | 4-641226-6 |
| 59.44 [2.340] | 15 | 4-641226-5 |
| 55.47 [2.184] | 14 | 4-641226-4 |
| 51.51 [2.028] | 13 | 4-641226-3 |
| 47.55 [1.872] | 12 | 4-641226-2 |
| 43.59 [1.716] | 11 | 4-641226-1 |
| 39.62 [1.560] | 10 | 4-641226-0 |
| 35.66 [1.404] | 9 | 3-641226-9 |
| 31.70 [1.248] | 8 | 3-641226-8 |
| 27.74 [1.092] | 7 | 3-641226-7 |
| 23.77 [.936] | 6 | 3-641226-6 |
| 19.81 [.780] | 5 | 3-641226-5 |
| 15.85 [.624] | 4 | 3-641226-4 |
| 11.89 [.468] | 3 | 3-641226-3 |
| 7.92 [.312] | 2 | 3-641226-2 |
| 95.10 [3.744] | 24 | 2-641226-4 |
| 91.14 [3.588] | 23 | 2-641226-3 |
| 87.17 [3.432] | 22 | 2-641226-2 |
| 83.21 [3.276] | 21 | 2-641226-1 |
| 79.25 [3.120] | 20 | 2-641226-0 |
| 75.29 [2.964] | 19 | 1-641226-9 |
| 71.32 [2.808] | 18 | 1-641226-8 |
| 67.36 [2.652] | 17 | 1-641226-7 |
| 63.40 [2.496] | 16 | 1-641226-6 |
| 59.44 [2.340] | 15 | 1-641226-5 |
| 55.47 [2.184] | 14 | 1-641226-4 |
| 51.51 [2.028] | 13 | 1-641226-3 |
| 47.55 [1.872] | 12 | 1-641226-2 |
| 43.59 [1.716] | 11 | 1-641226-1 |
| 39.62 [1.560] | 10 | 1-641226-0 |
| 35.66 [1.404] | 9 | -641226-9- |
| 31.70 [1.248] | 8 | -641226-8- |
| 27.74 [1.092] | 7 | 641226-7 |
| 23.77 [.936] | 6 | 641226-6 |
| 19.81 [.780] | 5 | 641226-5 |
| 15.85 [.624] | 4 | 641226-4 |
| 11.89 [.468] | 3 | 641226-3 |
| 7.92 [.312] | 2 | 641226-2 |

7 SUPERCEDED

OBSOLETE

OBSOLETE

7 SUPERCEDED

| | | | | |
|---|--|-------------------------------|--|--------------------|
| THIS DRAWING IS A CONTROLLED DOCUMENT. | | DWN B. LEWIS 12 FEB 91 | TE Connectivity | |
| DIMENSIONS: mm [INCHES] | | CHK R. SWING 12 FEB 91 | MTA-156 CONNECTOR ASSEMBLY 26 AWG, STANDARD | |
| TOLERANCES UNLESS OTHERWISE SPECIFIED: 0 PLC ± - 1 PLC ± - 2 PLC ± - 3 PLC ± 0.13 [.005] 4 PLC ± - ANGLES ± - | | APVD D. CLARK 20 FEB 91 | RESTRICTED TO | |
| MATERIAL 1 | | FINISH 1 | SIZE A2 | CAGE CODE 00779 |
| CUSTOMER DRAWING | | WEIGHT | DRAWING NO C-641226 | SCALE 4:1 |
| | | | SHEET 1 OF 1 | REV N |

单击下面可查看定价，库存，交付和生命周期等信息

[>>TE Connectivity\(泰科\)](#)