

4

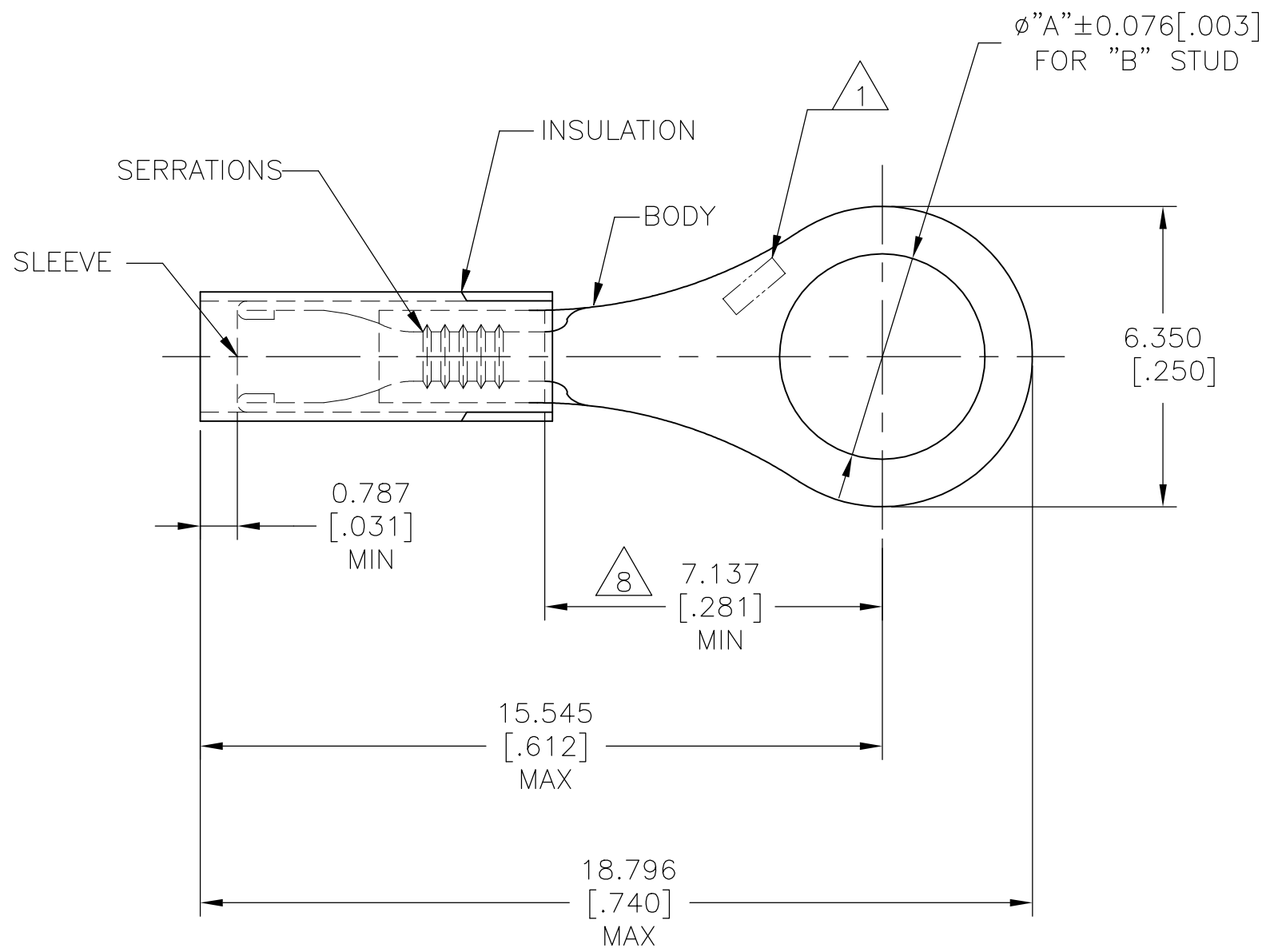
3

2

1

THIS DRAWING IS UNPUBLISHED. RELEASED FOR PUBLICATION
 © COPYRIGHT - By - ALL RIGHTS RESERVED.

REVISIONS				
P	LTR	DESCRIPTION	DATE	DWN APVD
P4		REVISED PER ECO-15-016493	30NOV2015	NK DR
P5		REVISED PER ECO-17-016703	30MAR2018	RS DR



- 1 STAMP AMP, APPROX AS SHOWN
- 2 BODY MATERIAL THK: $0.457 \pm 0.051 [.018 \pm .002]$
- 3 BODY: COPPER ASTM B152 NICKEL PL
SAE AMS QQ-N-290 0.0076 [.0003] AVG EXT. THK
- 4 SLEEVE: COPPER ASTM B152 NICKEL PL
SAE AMS QQ-N-290 0.00076 [.00003] AVG EXT. THK
- 5 INSULATION: PTFE ASTM D3295
COLOR - BLACK
- 6 FOR 0.813 [.032] TO 2.083 [.082] WIRE INSULATION DIA.
- 7 NOTE DELETED
- 8 DIMENSION APPLIES FROM EDGE OF METAL
WIRE BARREL TO CENTER OF STUD HOLE

5	1000	3.683 [.145]	M3.5 [#6]	LOOSE PIECE	50830
	QTY	"A"	"B"	PACKAGE TYPE	PART NO

AMP INCORPORATED CUSTOMER SERVICE SYSTEMS		MAX RECOMMENDED OPERATING TEMPERATURE: 288°C [550°F]	THIS DRAWING IS A CONTROLLED DOCUMENT.		DWN JR RUTH 11AUG03	STE TE Connectivity Ltd.				
FOR ADDITIONAL PRODUCT INFORMATION OR COPIES OF DRAWINGS AND TECHNICAL DOCUMENTS	PRODUCT INFORMATION CENTER 1-800-522-6752	VOLTAGE RATING: 300V MAX	DIMENSIONS: mm [INCHES]	TOLERANCES UNLESS OTHERWISE SPECIFIED:	CHK T MICHIELUTTI 12AUG03			NAME		
FOR APPLICATION TOOLING INFORMATION	TOOLING ASSISTANCE CENTER 1-800-722-1111	CIRCULAR MIL AREA: 0.12-0.24mm² [238-475] STRANDED WIRE ONLY		0 PLC ± - 1 PLC ± - 2 PLC ± - 3 PLC ± 0.127 [.005] 4 PLC ± - ANGLES ± 1°	APVD T MICHIELUTTI 12AUG03	PRODUCT SPEC				
FOR ORDER ENTRY	1-800-526-5142		MATERIAL	FINISH	APPLICATION SPEC	SIZE A3	CAGE CODE 00779	DRAWING NO C-50830	RESTRICTED TO	
					WEIGHT	CUSTOMER DRAWING		SCALE 8:1	SHEET 1 OF 1	REV P5

单击下面可查看定价，库存，交付和生命周期等信息

[>>TE Connectivity\(泰科\)](#)