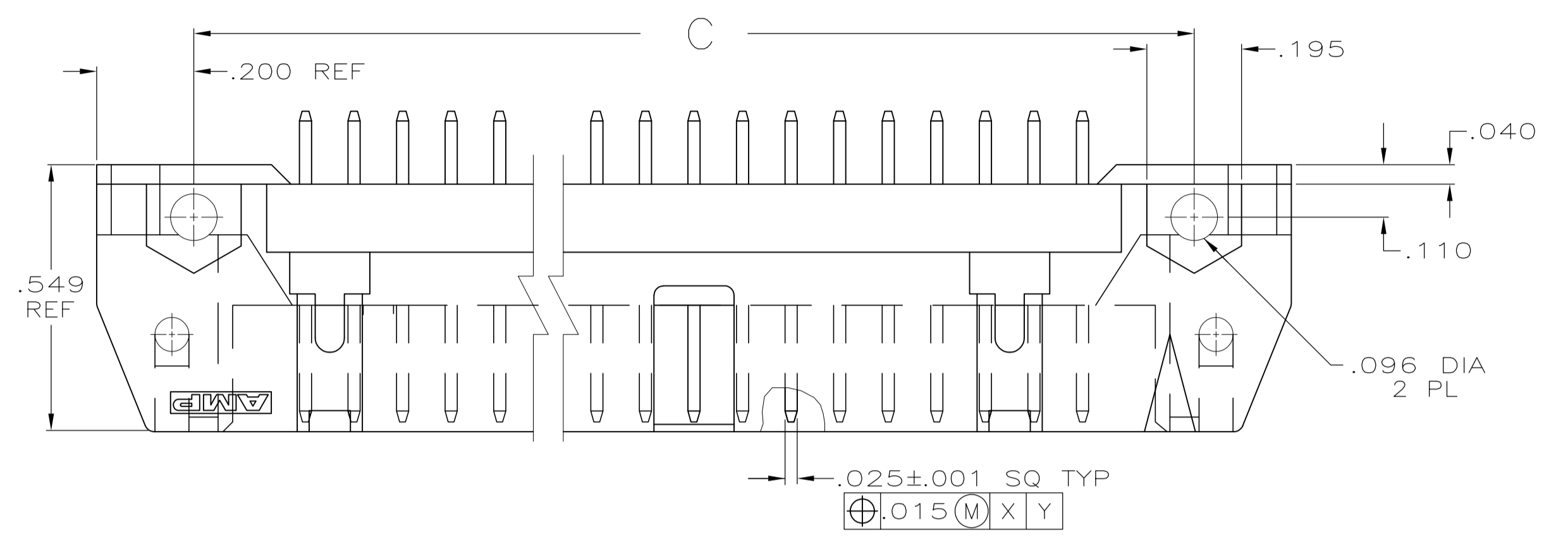
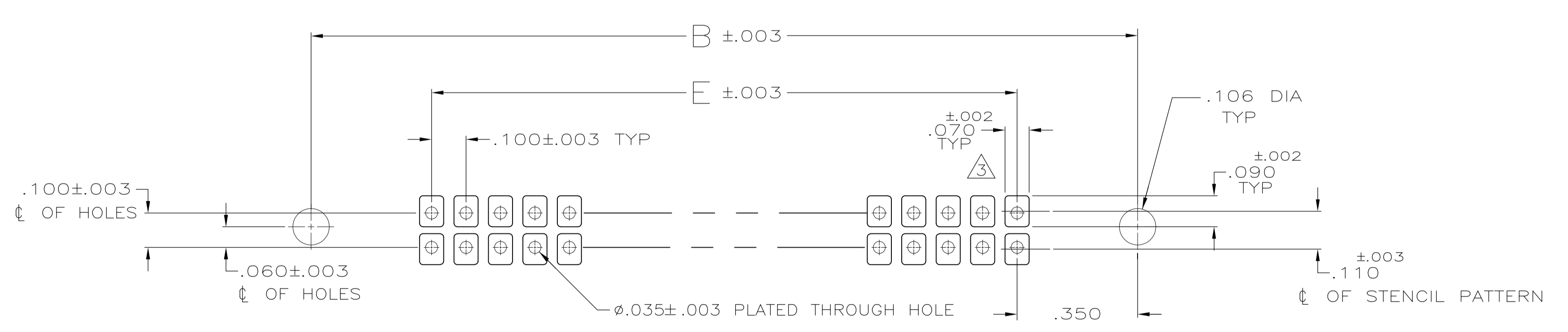
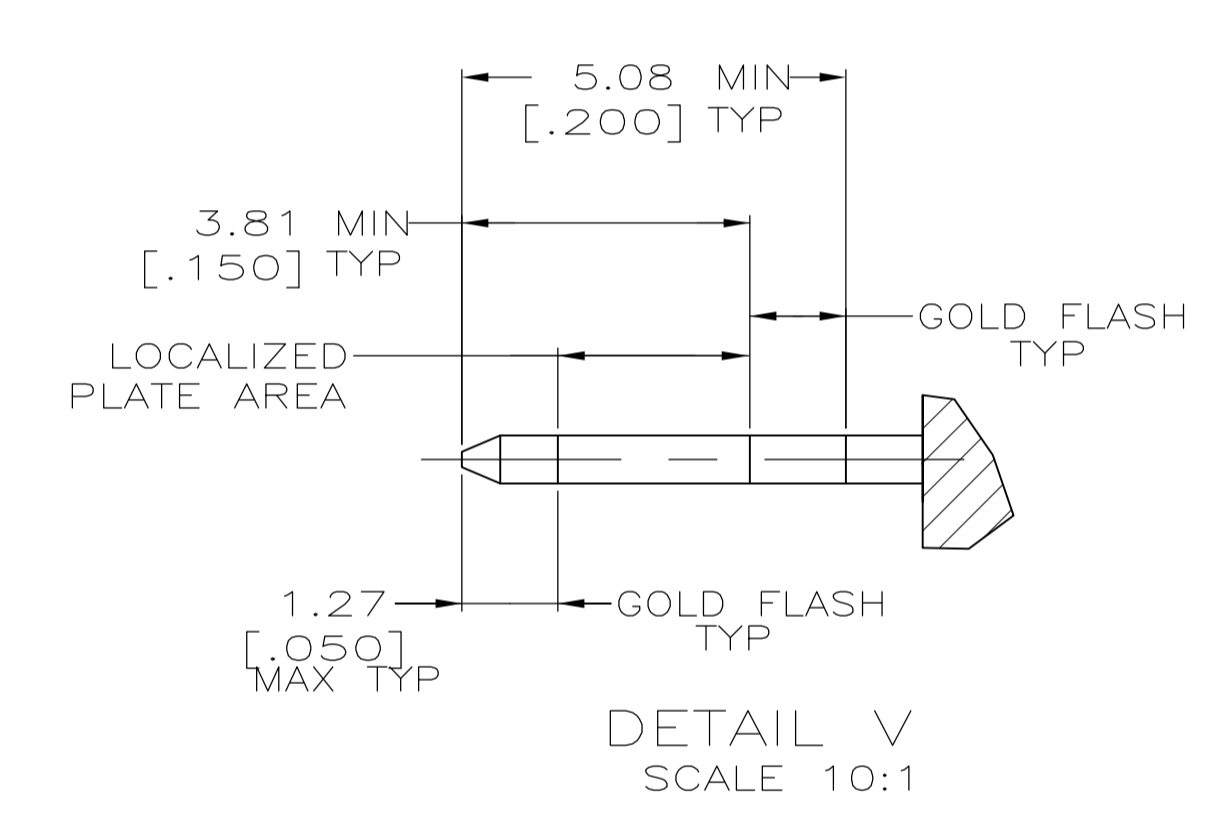
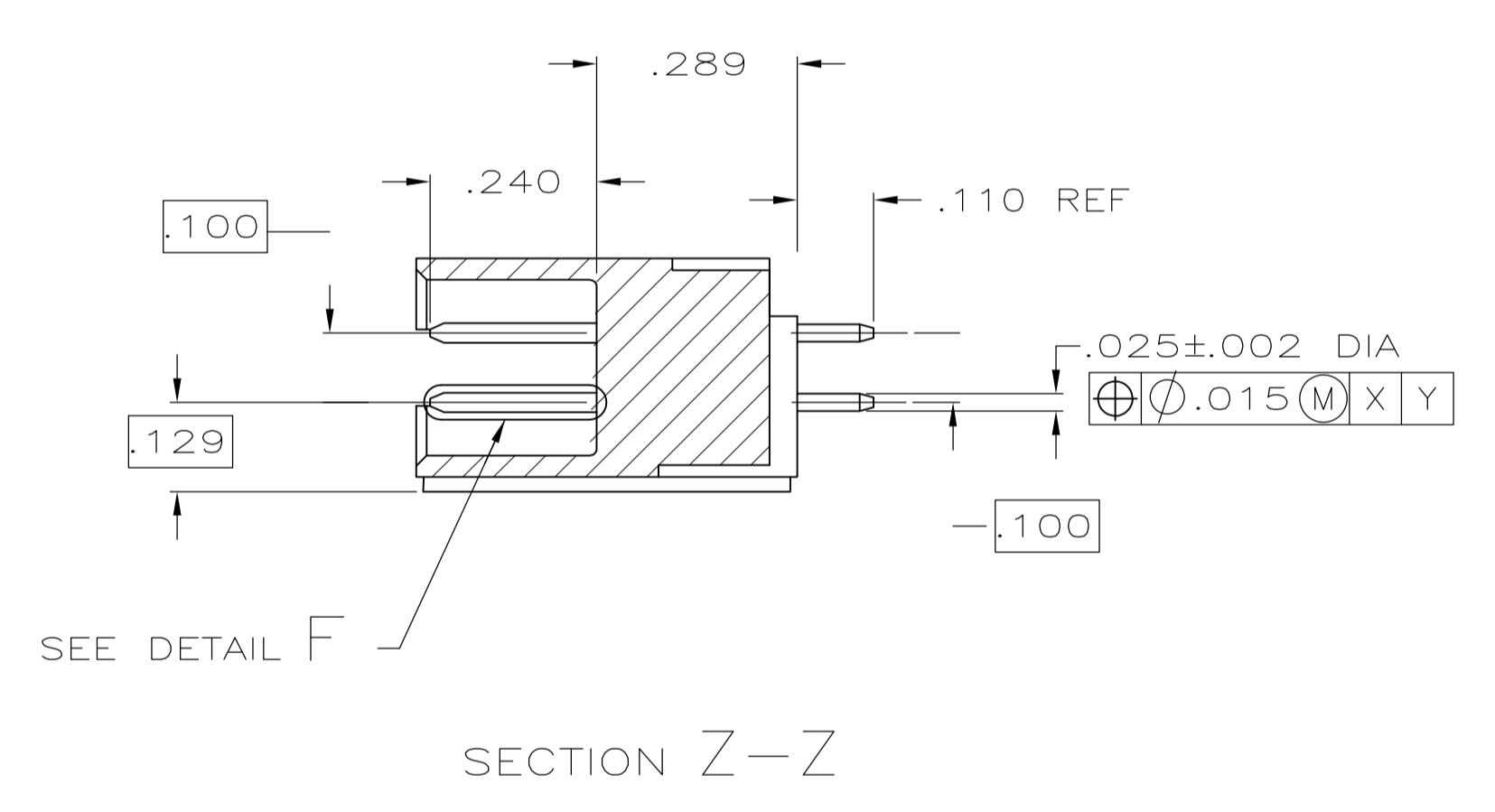
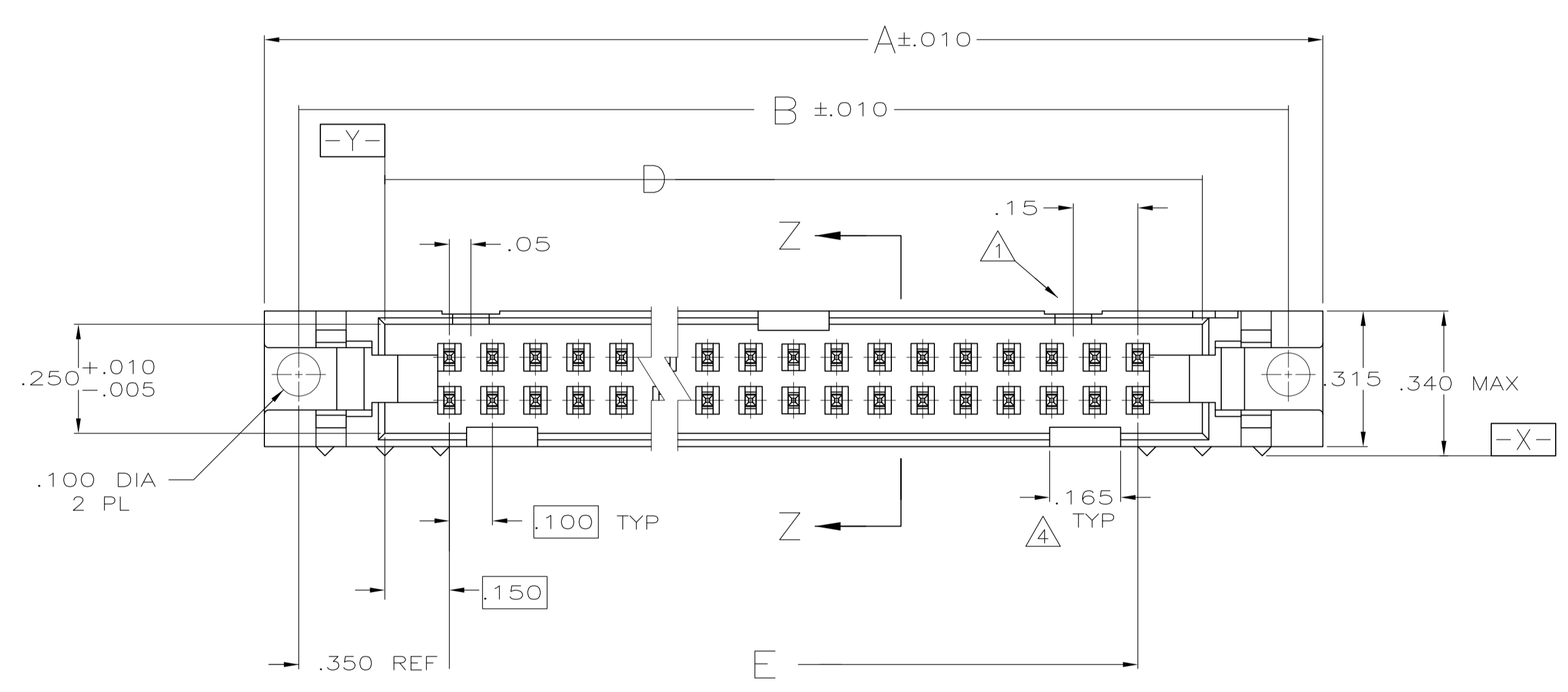


LOC	DIST	REVISIONS			
GP	00	REV	DESCRIPTION	DATE	BY
		H	REVISED PER ECO-08-004045	26MAR08	JDP/SLB
		H1	REVISED PER ECO-09-021826	02SEP09	KK/AEG



- 1 NO SNAP-IN POLARIZING FEATURE ON THIS END FOR 10 & 14 POS. HEADERS.
- 2 POSTS: GOLD FLASH OVER PALLADIUM-NICKEL PLATE, .000030 MIN TOTAL ON THE LOCALIZED PLATE AREA, .000100 MIN TIN-LEAD PLATE ON THE SOLDER-TAIL, .000050 MIN NICKEL UNDERPLATE ON THE ENTIRE POST.  
-OR-  
.000030 MIN GOLD PLATE ON THE LOCALIZED PLATE AREA, .000100 MIN TIN-LEAD PLATE ON THE SOLDER-TAIL, .000050 MIN NICKEL UNDERPLATE ON THE ENTIRE POST.
- 3 RECOMMENDED STENCIL THICKNESS EQUALS .010
- 4 FOR 10 POS.HEADER ONLY, ONE SLOT LOCATED AS SHOWN.
- 5 PLATED WITH GOLD FLASH OVER .000050 NICKEL.
- 6 OBSOLETE PARTS: OBSOLETE CIS STREAMLINING PER D.RENAUD/D.SINISI



RECOMMENDED  
P C BOARD MOUNTING DIMENSIONS

	E	D	C	B	A	NO OF POSN	PART NUMBER
OBSOLETE	2.100	2.400	2.560	2.80	2.96	44	1-111008-3
	3.100	3.400	3.560	3.80	3.96	64	1-111008-2
6 SUPERSEDED BY 5111008-1	2.900	3.200	3.360	3.60	3.76	60	1-111008-1
	2.400	2.700	2.860	3.10	3.26	50	1-111008-0
	1.900	2.200	2.360	2.60	2.76	40	111008-9
	1.600	1.900	2.060	2.30	2.46	34	111008-8
6 SUPERSEDED BY 5111008-7	1.400	1.700	1.860	2.10	2.26	30	111008-7
	1.200	1.500	1.660	1.90	2.06	26	111008-6
6 SUPERSEDED BY 5111008-5	1.100	1.400	1.560	1.80	1.96	24	111008-5
OBSOLETE	.900	1.200	1.360	1.60	1.76	20	111008-4
6 SUPERSEDED BY 102154-3	.700	1.000	1.160	1.40	1.56	16	111008-3
OBSOLETE	.600	.900	1.060	1.30	1.46	14	111008-2
	.400	.700	.860	1.10	1.26	10	111008-1

THIS DRAWING IS A CONTROLLED DOCUMENT.

DIMENSIONS: INCHES	TOLERANCES UNLESS OTHERWISE SPECIFIED:	DIN 11-7-85	J.JLGROFT	12-5-85	M.FESCALANTE	12-19-85	G. HAWK	AMP-LATCH UNIVERSAL HEADER, .025 SQ POST, .100 X .100CL, STRAIGHT, FOR VAPOR-PHASE APPLICATIONS
0 PL ± -	1 PL ± -	2 PL ± -	3 PL ± .005	4 PL ± -	ANGLES ± -	FINISH	WEIGHT	SIZE: A1 00779 C=111008
MATERIAL: WOLDED PARTS: MAX-O-RATED THERMOPLASTIC COLOR: RED POSTS: PHOS BRONZE OR BRASS	FINISH	RESTRICTED TO	CUSTOMER DRAWING	SCALE: 4:1	SHEET: 1 OF 1	REV: H1		

Tyco Electronics Corporation  
Harrisburg, PA 17105-3608

单击下面可查看定价，库存，交付和生命周期等信息

[>>TE Connectivity\(泰科\)](#)