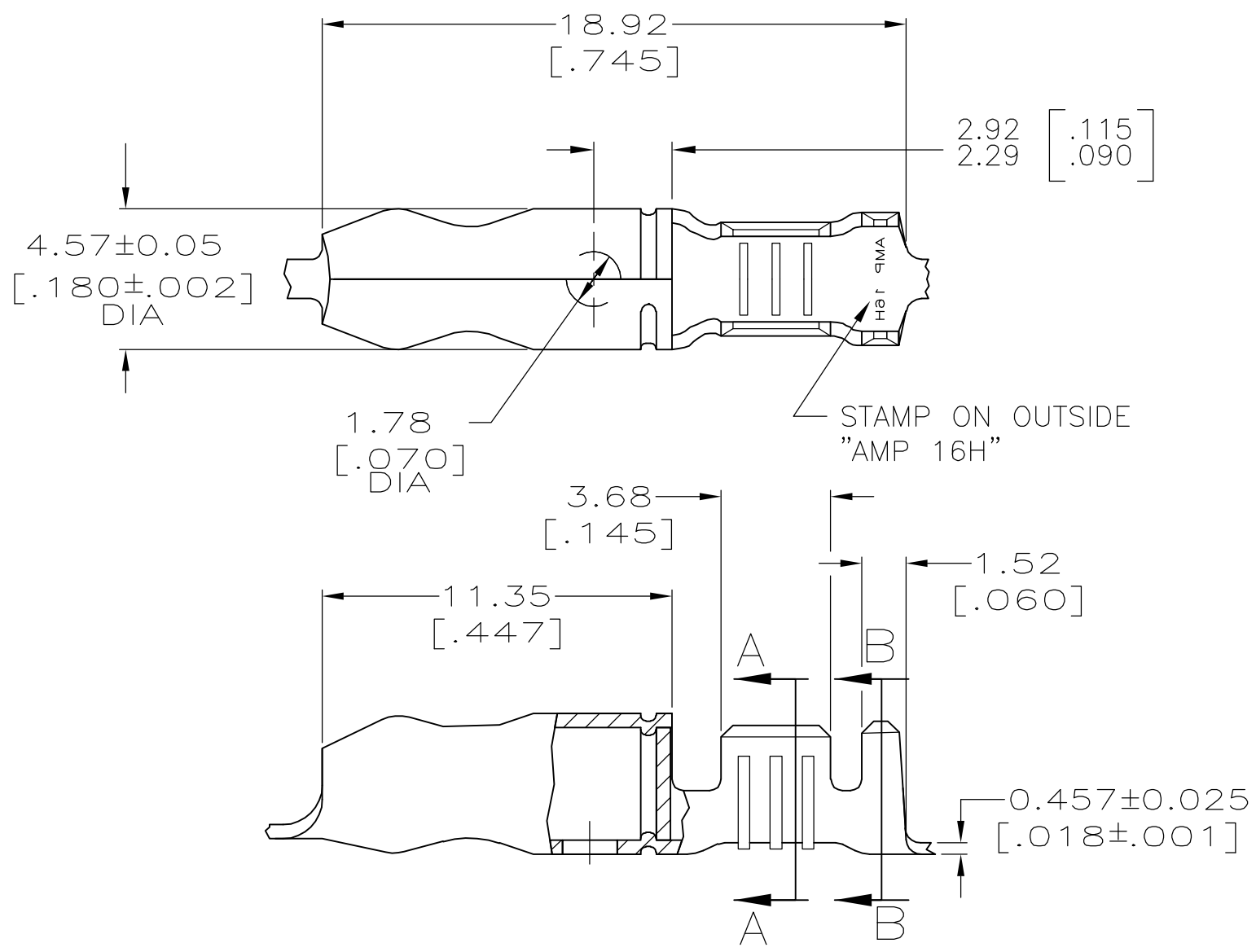
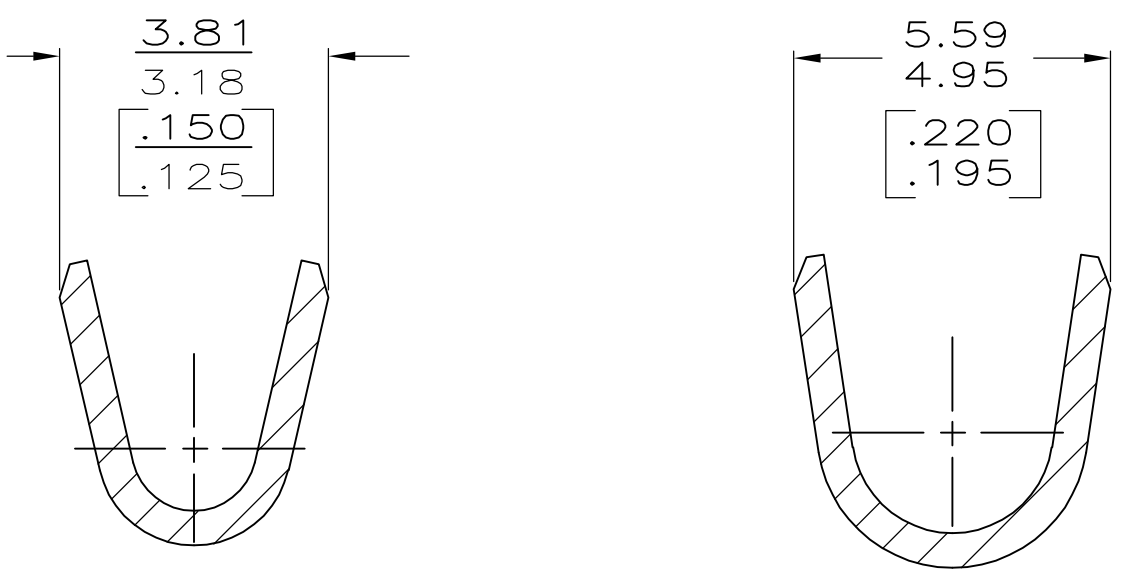


THIS DRAWING IS UNPUBLISHED. RELEASED FOR PUBLICATION
 © COPYRIGHT - BY TYCO ELECTRONICS CORPORATION. ALL RIGHTS RESERVED.

LOC	DIST	REVISIONS			
P	LTR	DESCRIPTION	DATE	DWN	APVD
AF	50	N1	REVISED PER ECR-06028057	03JAN07	MF DD



- 1 CONTINUOUS STRIP ON REEL.
- △ 2 0.02032 [.000080] MIN TIN PLATE.
- 3 WIRE RANGE: #18-#14 AWG.
- 4 INSULATION RANGE: 3.05-4.45 [.120-.175] DIA.



SECTION A-A
SCALE 10:1

SECTION B-B
SCALE 10:1

THIS DRAWING IS A CONTROLLED DOCUMENT.

DIMENSIONS: mm [INCHES]	TOLERANCES UNLESS OTHERWISE SPECIFIED:
	0 PLC ± -
	1 PLC ± -
	2 PLC ± 0.25 [.010]
	3 PLC ± -
	4 PLC ± -
	ANGLES ± -
MATERIAL SEE TABLE	FINISH SEE TABLE

-	081 BRASS	60660-2
△ 2	081 BRASS	60660-1
FINISH	MATERIAL	PART NUMBER
DWN MICHAEL S. FEHER 03JAN2007	Tyco Electronics Corporation Harrisburg, Pa 17105-3608	
CHK DONALD F. DECKER 03JAN2007	NAME SHUR PLUG, 4.57 [.180] DIA	
APVD DONALD F. DECKER 03JAN2007	PRODUCT SPEC	-
APPLICATION SPEC	SIZE	CAGE CODE
WEIGHT	A3	00779
CUSTOMER DRAWING	DRAWING NO	C-60660
RESTRICTED TO	SCALE	5:1
-	SHEET	1 OF 1
-	REV	N1

单击下面可查看定价，库存，交付和生命周期等信息

[>>TE Connectivity\(泰科\)](#)