

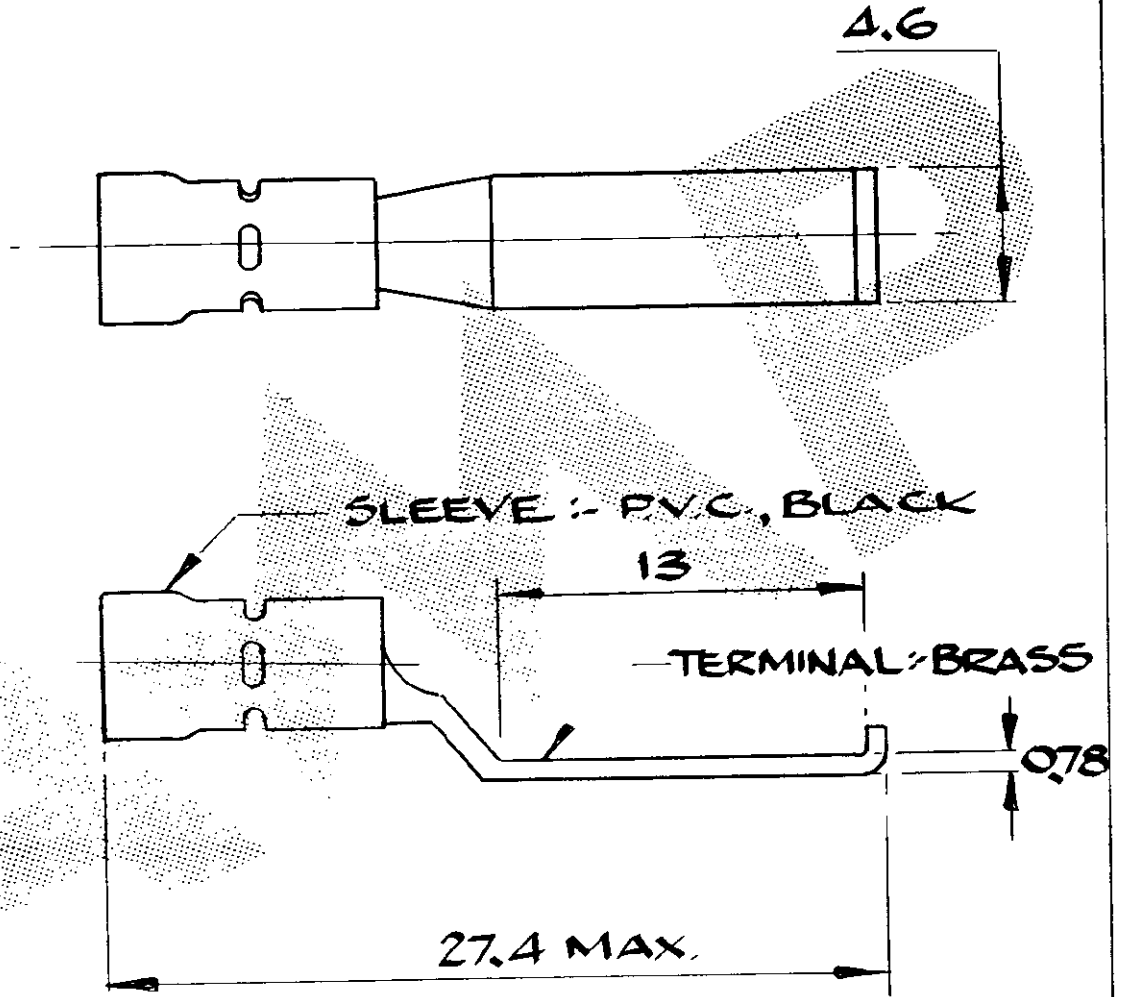
DO NOT SCALE

DIMENSIONS IN mm

METRIC



NUMBER
C151467



SEE ABOVE 151467-0

OTHER TREATMENT

FINISH

MATERIAL

PART NUMBER

CUSTOMER DWG
FOR REFERENCE ONLY

THIS DRAWING IS UNCLASSIFIED

RELEASED FOR PUBLICATION 24-4-99

COPYRIGHT 19 91 BY AMP OF GREAT BRITAIN LTD ALL INTERNATIONAL RIGHTS RESERVED. AMP PRODUCTS MAY BE COVERED BY BRITISH AND FOREIGN PATENTS AND/OR PATENTS PENDING.

TOLERANCES
UNLESS OTHERWISE
STATED -
DEC ± 0.5
ANGLES ± 1°

INS DIA RANGE

WIRE RANGE

SCALE

22-16

4:1

AMP TERMINAL HOUSE
of Great Britain Ltd STANMORE
MIDD.

D	EB20-0428-96	REVISED	3.6.96
C	OBsolete EB20-0507-95	DR	3.12.95
B	REDRAWN	RT	2449
ISS	REVISION RECORD	DR	DATE

DR DR. TERRY
CHK W. Wilson
APP

NAME LIPPED BLADE
TERMINAL ASSY.
A4 LOC DWG NO
E C151467

SHEET
1 of 1

PRINT DIST

BARCODE 6889 25

单击下面可查看定价，库存，交付和生命周期等信息

[>>TE Connectivity\(泰科\)](#)