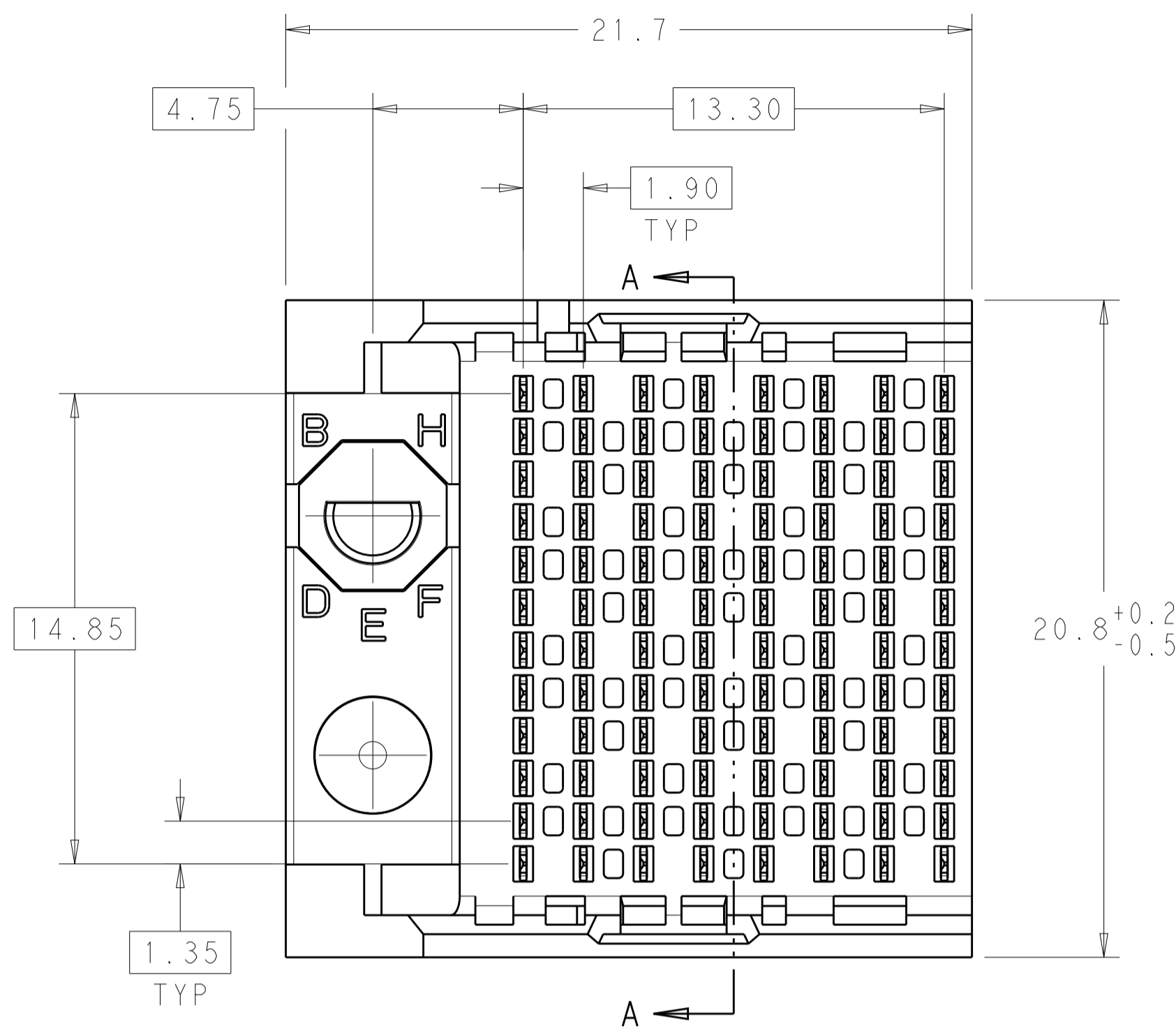
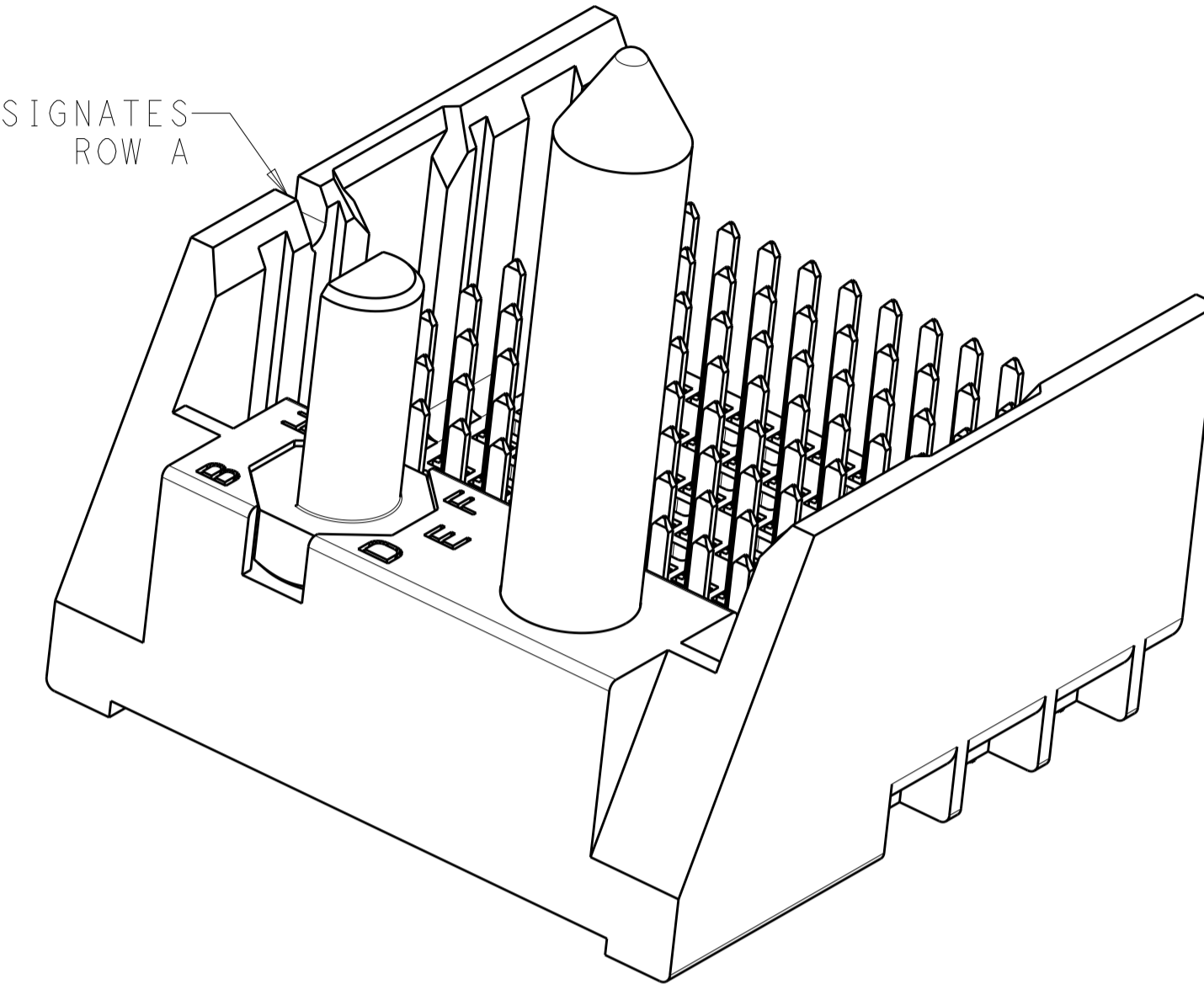


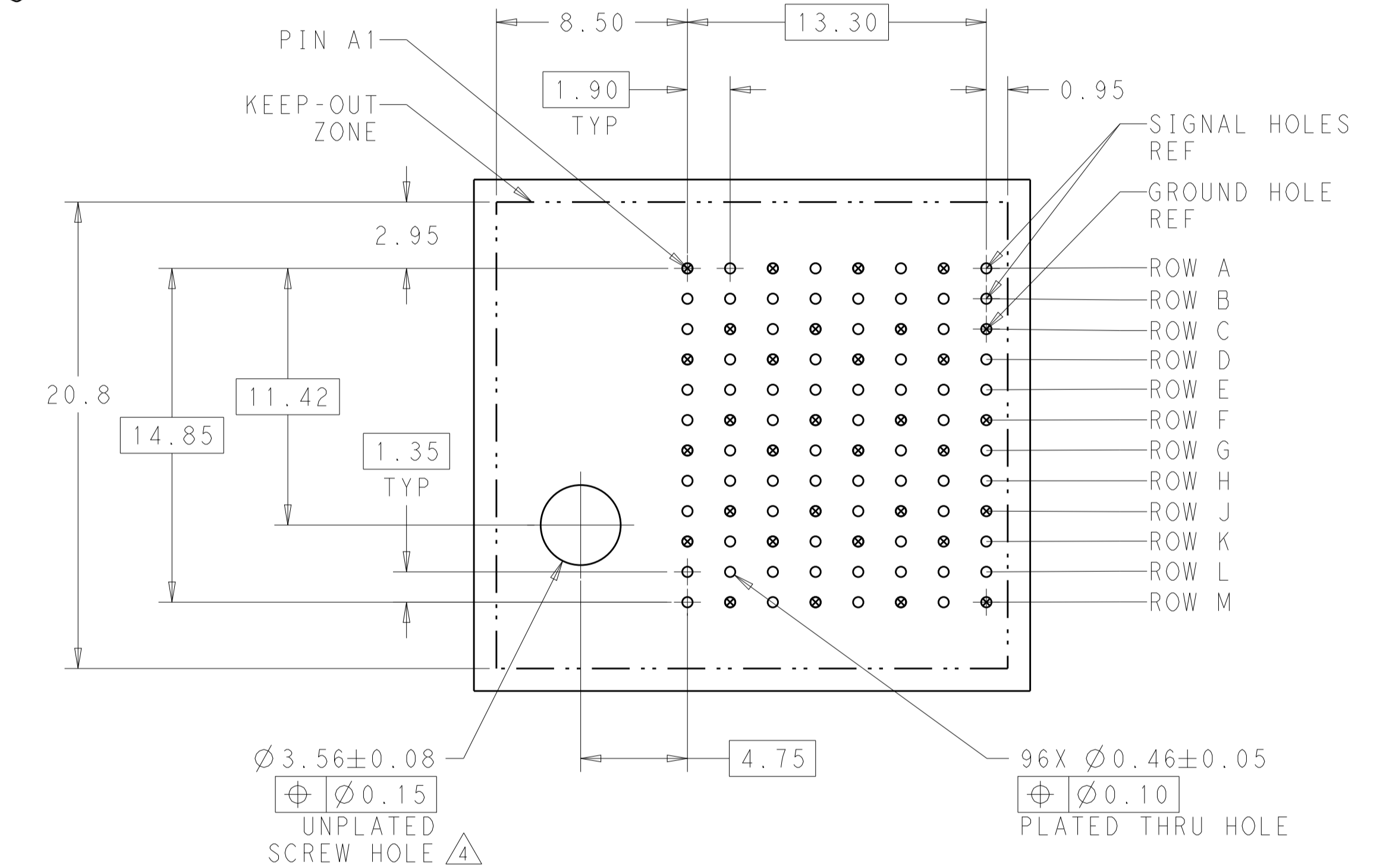
REVISIONS				
P.	LTN	DESCRIPTION	DATE	OWN APVD
A1		REVISED PER ECO-15-001494	05FEB2015	AP DD



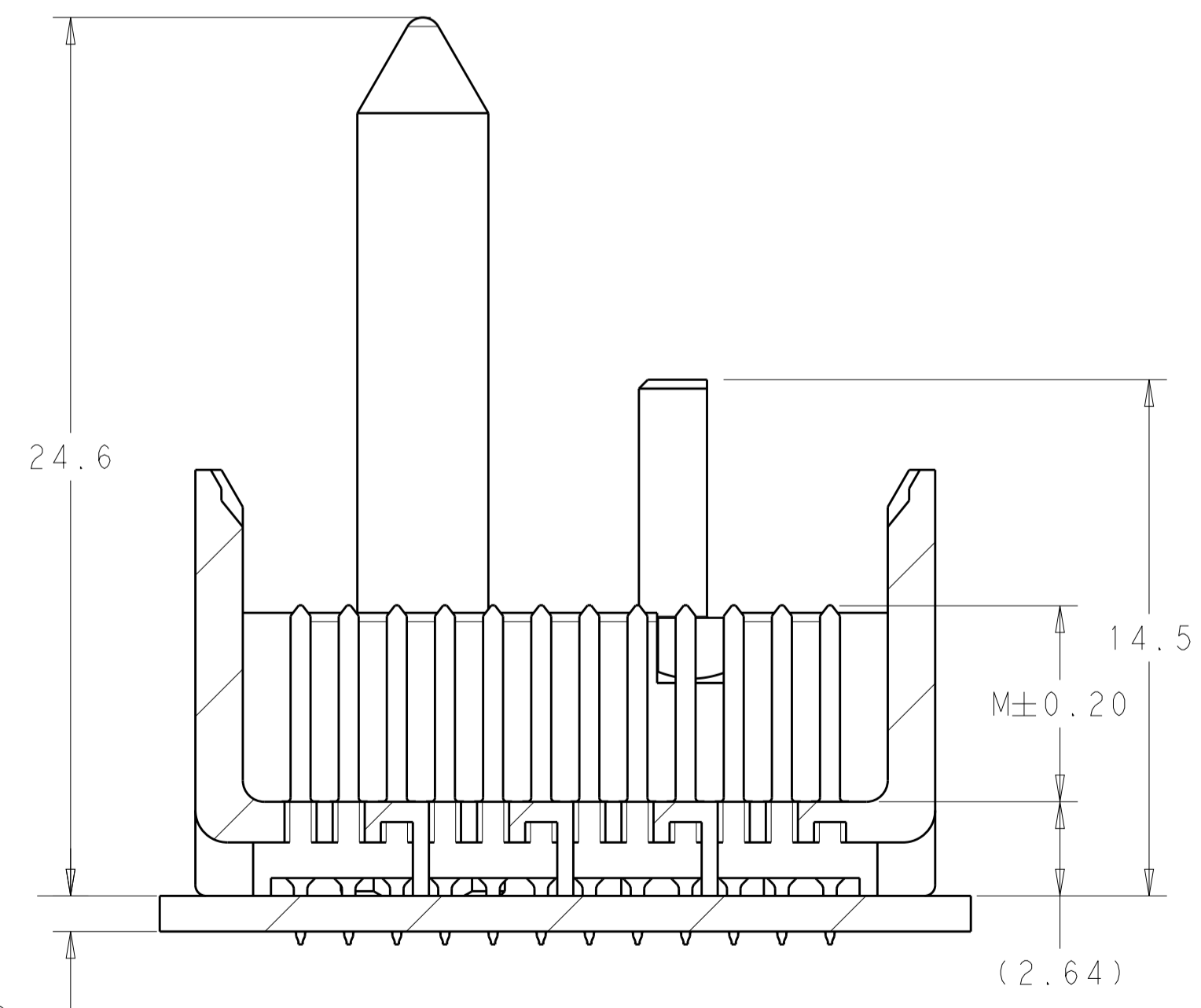
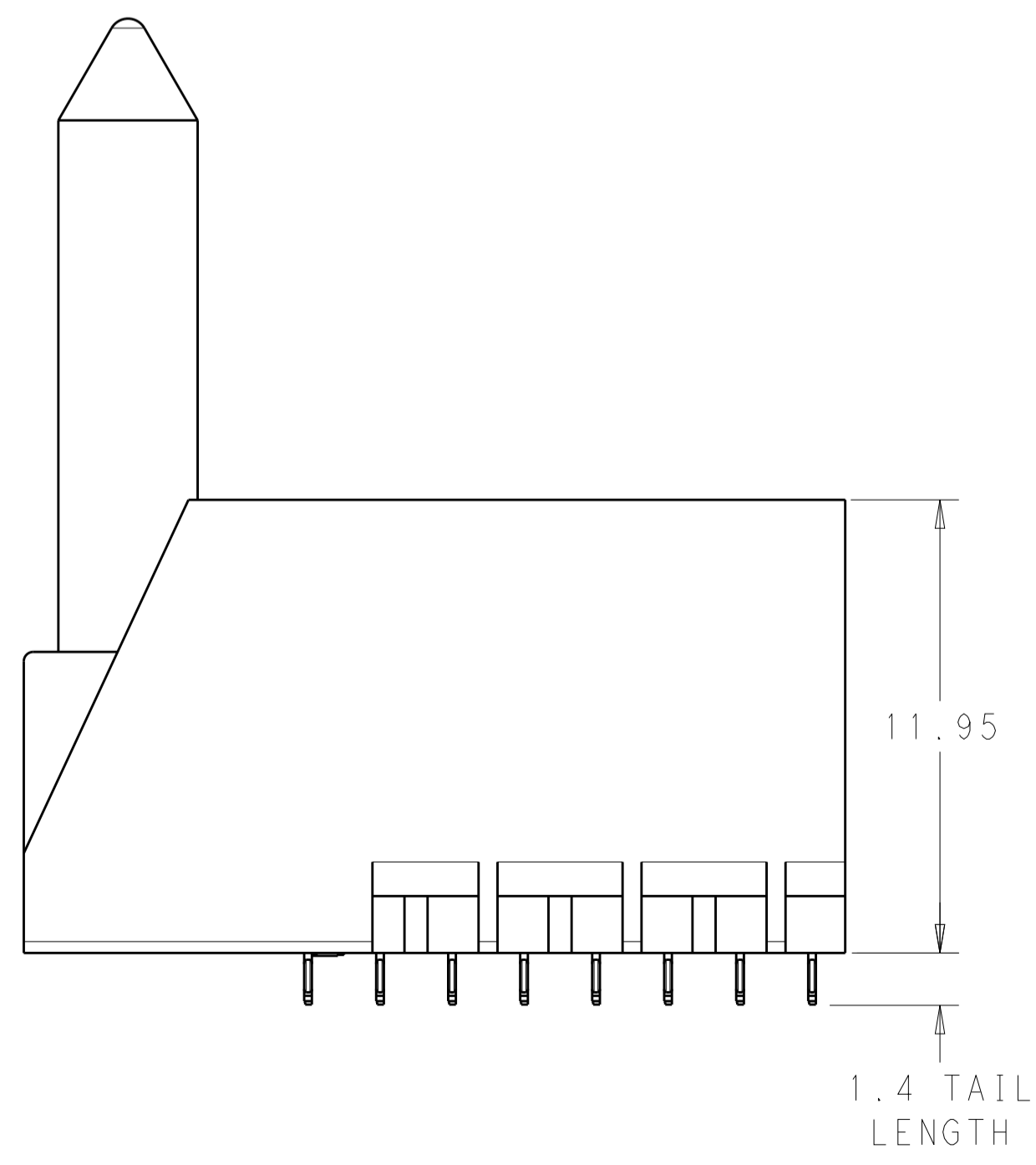
NOTCH DESIGNATES ROW A



- △ MATERIAL:
HOUSING: LCP, GLASS FILLED, UL94V-0.
TERMINALS: HIGH PERFORMANCE COPPER ALLOY.
- △ FINISH:
30μ" MIN GOLD IN CONTACT AREA. SELECTIVE TIN ON PCB TAILS, NICKEL OVERALL.
- 3. SCREWS PACKAGED IN END OF PACKAGING TUBE.
- △ FOR GROUNDED GUIDE PIN USE Ø3.56±0.08 PTH, Ø3.66 DRILL, AND Ø6.5 PAD.
- 5. KEYING PIN SHOWN IN POSITION A, SEE KEYING CHART ON SHEET 2 FOR OTHER POSITIONS.



LEFT GUIDED BACKPLANE HOLE PATTERN (CONNECTOR SIDE)



SECTION A-A

1.00 MINIMUM BOARD THICKNESS

THIS DRAWING IS A CONTROLLED DOCUMENT.		OWN J. K. SHOBER 18JUL2013	STE TE Connectivity
DIMENSIONS: mm		CHK J. EARY 18JUL2013	
TOLERANCES UNLESS OTHERWISE SPECIFIED:		APVD J. EARY 18JUL2013	NAME IMPACT, 4 PAIR, 8 COLUMN, HEADER LEFT GUIDED, OPEN END WALL SIGNAL MODULE, 0.46 PTH
0 PLC ±0.25		PRODUCT SPEC	
1 PLC ±0.13		APPLICATION SPEC	SIZE CAGE CODE DRAWING NO RESTRICTED TO
2 PLC ±		WEIGHT	A100779C=2057434
3 PLC ±		CUSTOMER DRAWING	SCALE 6:1 SHEET 1 OF 2 REV A1
4 PLC ±			
ANGLES ±			
FINISH SEE TABLE			

REVISIONS					
P.	LTN	DESCRIPTION	DATE	DMN	APVD
-	-	SEE SHEET 1	-	-	-



	H	5.5	8-2057434-3
	H	4.9	8-2057434-2
	H	4.5	8-2057434-1
	G	5.5	7-2057434-3
	G	4.9	7-2057434-2
	G	4.5	7-2057434-1
	F	5.5	6-2057434-3
	F	4.9	6-2057434-2
	F	4.5	6-2057434-1
	E	5.5	5-2057434-3
	E	4.9	5-2057434-2
	E	4.5	5-2057434-1
	D	5.5	4-2057434-3
	D	4.9	4-2057434-2
	D	4.5	4-2057434-1
	C	5.5	3-2057434-3
	C	4.9	3-2057434-2
	C	4.5	3-2057434-1
	B	5.5	2-2057434-3
	B	4.9	2-2057434-2
	B	4.5	2-2057434-1
	A	5.5	1-2057434-3
	A	4.9	1-2057434-2
	A	4.5	1-2057434-1
	-	5.5	2057434-3
	-	4.9	2057434-2
	-	4.5	2057434-1
FINISH	KEY POSITION	DIM M	PART NUMBER

REFER TO WWW.TE.COM
FOR PRODUCT AVAILABILITY

THIS DRAWING IS A CONTROLLED DOCUMENT.		DMN J. K. SHOBER 18JUL2013	TE Connectivity
DIMENSIONS: mm		CHK J. EARY 18JUL2013	
 0 PLC ±0.25 2 PLC ±0.13 3 PLC ± 4 PLC ± ANGLES ± FINISH ±		APVD J. EARY 18JUL2013	
TOLERANCES UNLESS OTHERWISE SPECIFIED:		NAME	IMPACT, 4 PAIR, 8 COLUMN, HEADER LEFT GUIDED, OPEN END WALL SIGNAL MODULE, 0.46 PTH
MATERIAL		PRODUCT SPEC	SIZE CAGE CODE DRAWING NO RESTRICTED TO
SEE TABLE		APPLICATION SPEC	A100779C=2057434
CUSTOMER DRAWING		WEIGHT	SCALE 5:1 SHEET 2 OF 2 REV A1

单击下面可查看定价，库存，交付和生命周期等信息

[>>TE Connectivity\(泰科\)](#)