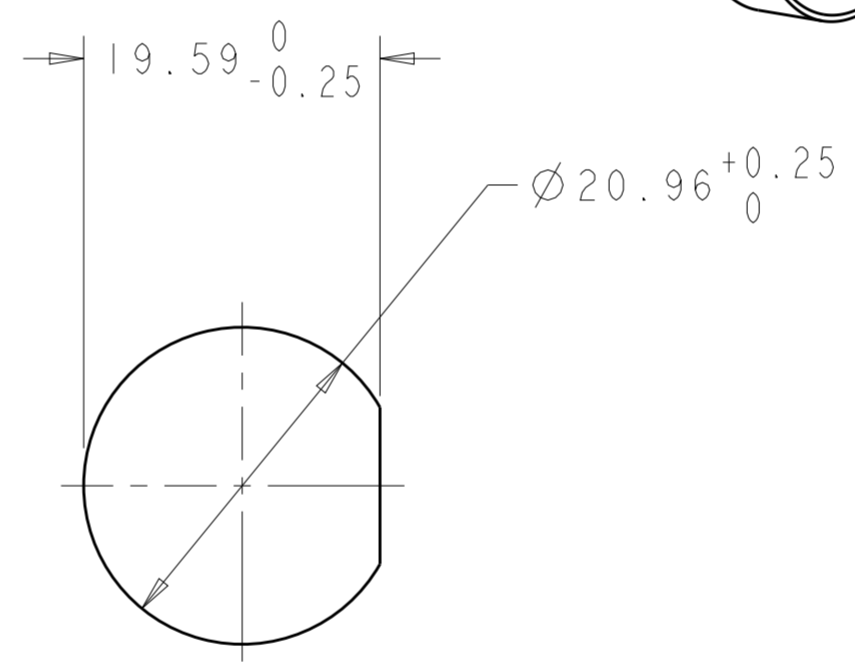
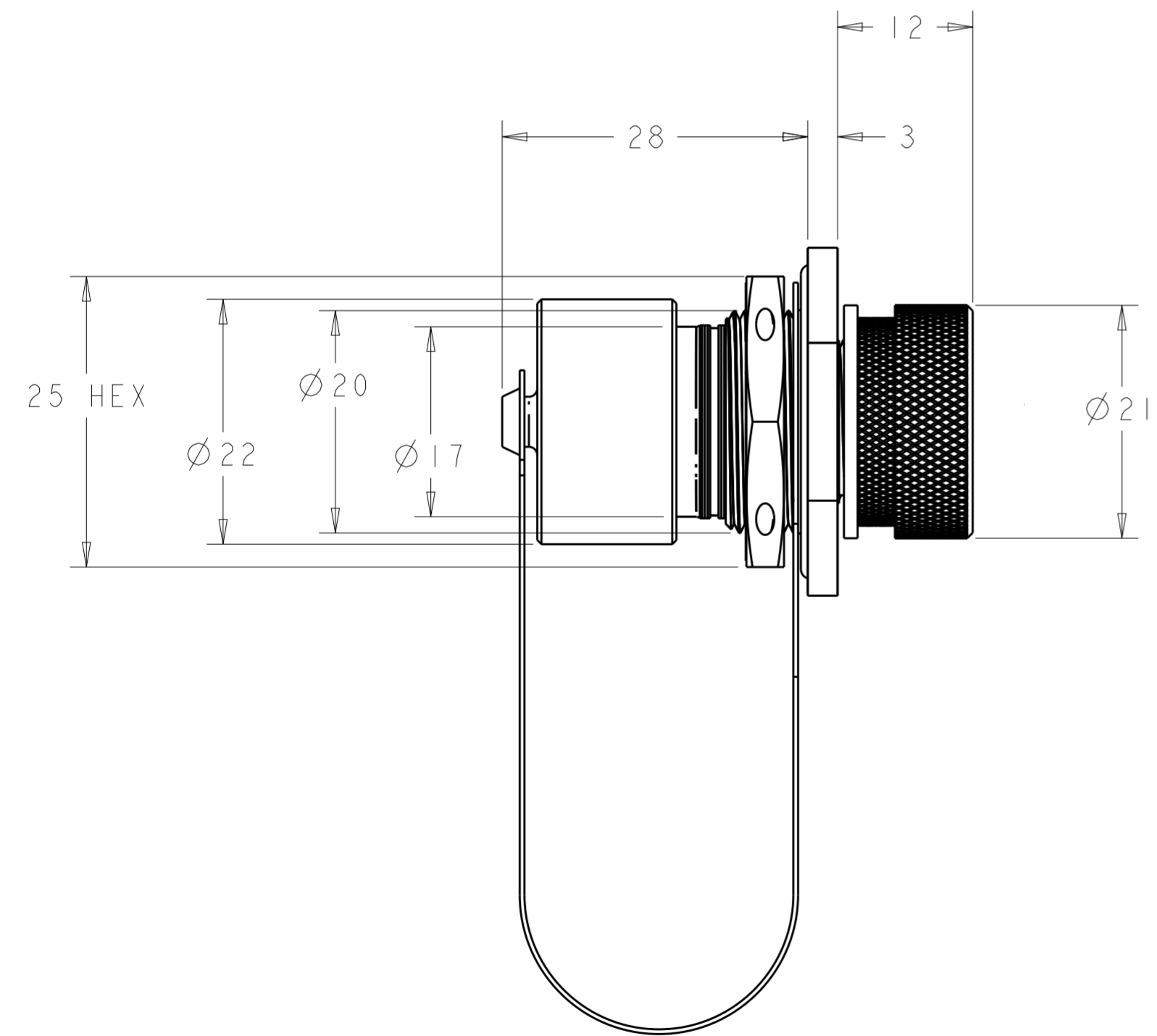
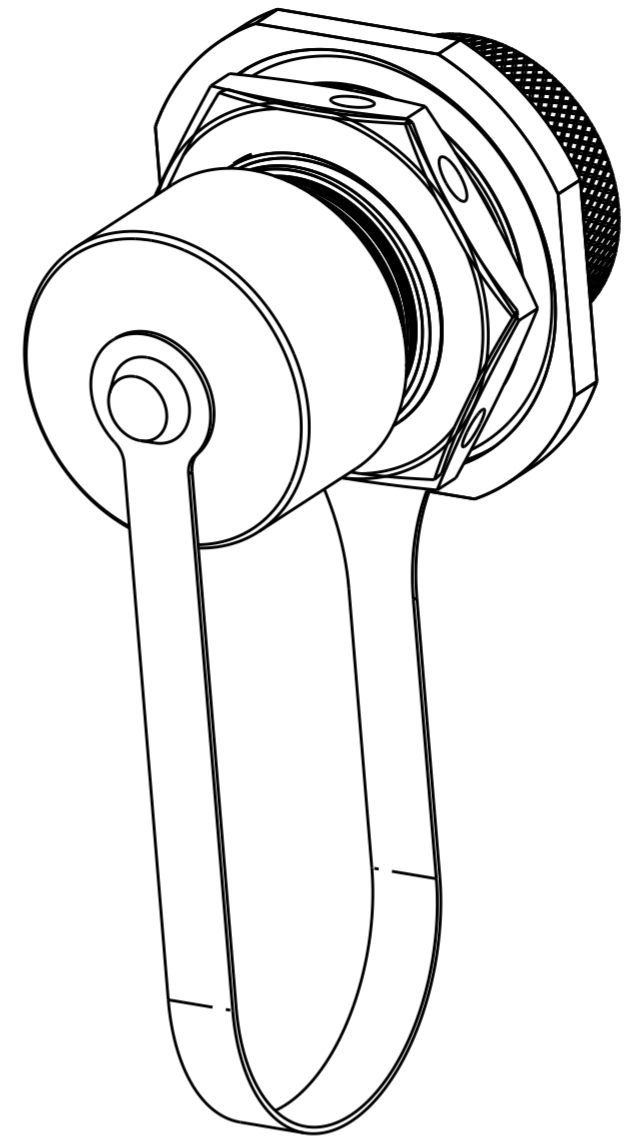


THIS DRAWING IS UNPUBLISHED. RELEASED FOR PUBLICATION 20
 © COPYRIGHT 20 BY - ALL RIGHTS RESERVED.

REVISIONS				
P	LTR	DESCRIPTION	DATE	APVD
	A2	ECR-15-009282	04AUG2015	KG DW

- ASSEMBLY SHOWN FOR REFERENCE ONLY. SHIPPED LOOSE PIECE AS SHOWN ON PAGE 2.
- ALL ASSEMBLY DIMENSIONS ARE FOR REFERENCE ONLY.
- THIS PRODUCT HAS NOT COMPLETED VALIDATION TESTING.
- △ PER MIL-DTL-38999K, FIGURE 11, TYPE E.
- COMPLETE THE CONNECTOR ASSEMBLY BY ADDING EACH OF THE FOLLOWING:
 - TE CONNECTIVITY MINI EXPANDED BEAM INSERT ASSEMBLY;
 - MINI EXPANDED BEAM FERRULE KIT, ONE PER FIBER.



RECOMMENDED PANEL CUT-OUT △

- SUPERSEDED BY:**
I-1918884-8
- SUPERSEDED BY:**
I-1918884-7
- SUPERSEDED BY:**
I-1918884-6
- SUPERSEDED BY:**
I-1918884-5
- SUPERSEDED BY:**
I-1918884-4
- SUPERSEDED BY:**
I-1918884-3

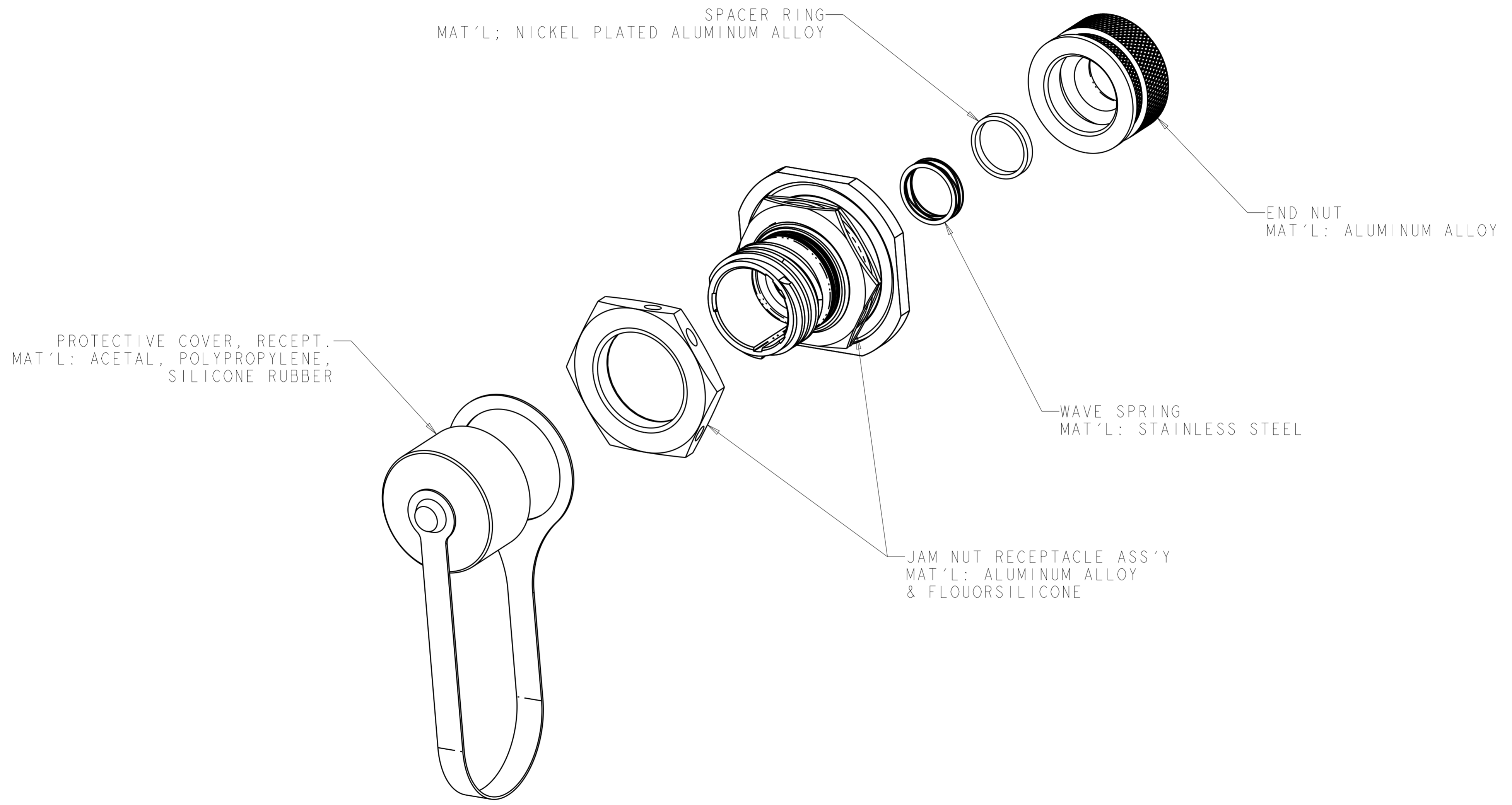
E-KEY, BLACK ZnNi	I-1918884-8
D-KEY, BLACK ZnNi	I-1918884-7
C-KEY, BLACK ZnNi	I-1918884-6
B-KEY, BLACK ZnNi	I-1918884-5
A-KEY, BLACK ZnNi	I-1918884-4
N-KEY, BLACK ZnNi	I-1918884-3
E-KEY, OLIVE DRAB Zn	I-1918884-2
D-KEY, OLIVE DRAB Zn	I-1918884-1
C-KEY, OLIVE DRAB Zn	I-1918884-0
B-KEY, OLIVE DRAB Zn	1918884-9
A-KEY, OLIVE DRAB Zn	1918884-8
N-KEY, OLIVE DRAB Zn	1918884-7
E-KEY, Ni-PLATE	1918884-6
D-KEY, Ni-PLATE	1918884-5
C-KEY, Ni-PLATE	1918884-4
B-KEY, Ni-PLATE	1918884-3
A-KEY, Ni-PLATE	1918884-2
N-KEY, Ni-PLATE	1918884-1
DESCRIPTION	PART NUMBER

THIS DRAWING IS A CONTROLLED DOCUMENT.		DWN K. GLATFELTER 07SEP2006	TE Connectivity	
DIMENSIONS: mm		CHK D. WERTMAN 22FEB2007		
TOLERANCES UNLESS OTHERWISE SPECIFIED:		APVD D. WERTMAN 22FEB2007	NAME SHELL KIT, JAM NUT RECEPTACLE, 38999, SIZE 11, MINI EB	
0 PLC ±		PRODUCT SPEC	SIZE	
1 PLC ±		APPLICATION SPEC	CAGE CODE	
2 PLC ±		WEIGHT	DRAWING NO	
3 PLC ±		CUSTOMER DRAWING	RESTRICTED TO	
4 PLC ±			A200779	
ANGLES ±			C-1918884	
FINISH			SCALE 2:1	
SEE TABLE			SHEET 1 OF 2	
			REV A2	

THIS DRAWING IS UNPUBLISHED. RELEASED FOR PUBLICATION 20
 © COPYRIGHT 20 BY - ALL RIGHTS RESERVED.

REVISIONS				
P	LTR	DESCRIPTION	DATE	APVD
-		SEE SHEET 1	-	-

1. SHIPPED LOOSE PIECE AS SHOWN.



THIS DRAWING IS A CONTROLLED DOCUMENT.		DWN K. GLATFELTER 07SEP2006	STE TE Connectivity	
DIMENSIONS: mm		CHK D. WERTMAN 22FEB2007		
TOLERANCES UNLESS OTHERWISE SPECIFIED:		APVD D. WERTMAN 22FEB2007	NAME SHELL KIT, JAM NUT RECEPTACLE, 38999, SIZE 11, MINI EB	
0 PLC ± 1 PLC ± 2 PLC ± 3 PLC ± 4 PLC ± ANGLES ± FINISH		PRODUCT SPEC -	SIZE A200779	CAGE CODE C-1918884
MATERIAL - - - SEE TABLE		APPLICATION SPEC -	RESTRICTED TO -	SCALE 2:1
		WEIGHT -	SHEET 2 OF 2	REV A2
		CUSTOMER DRAWING		

单击下面可查看定价，库存，交付和生命周期等信息

[>>TE Connectivity\(泰科\)](#)