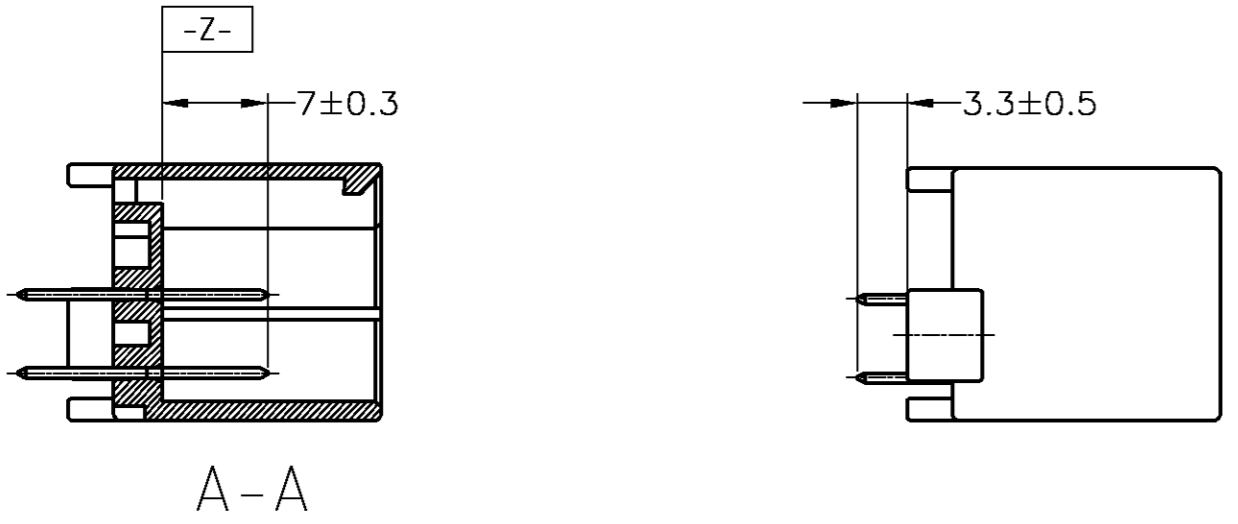
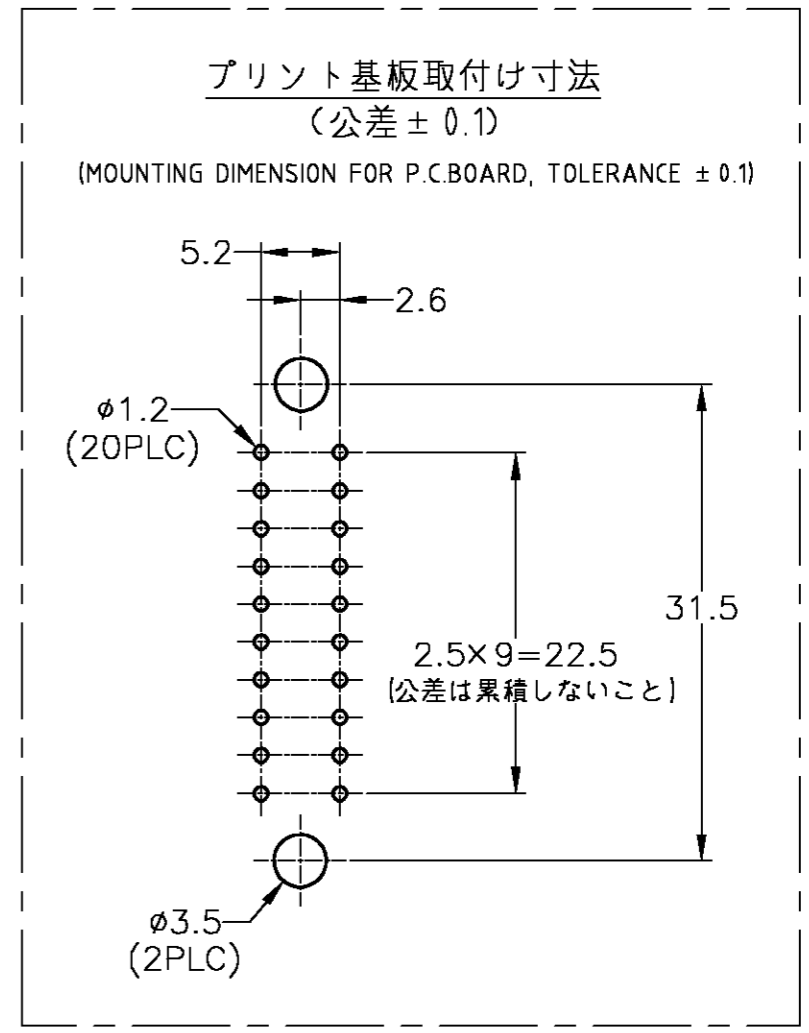
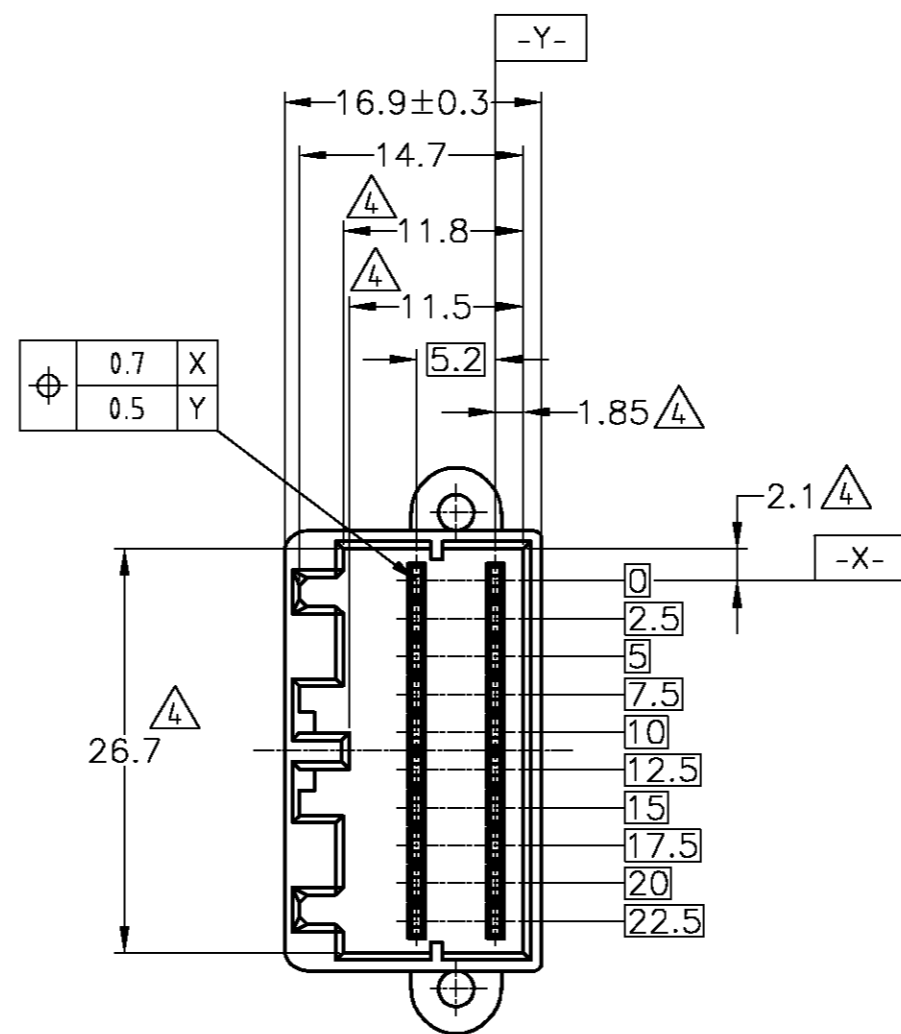
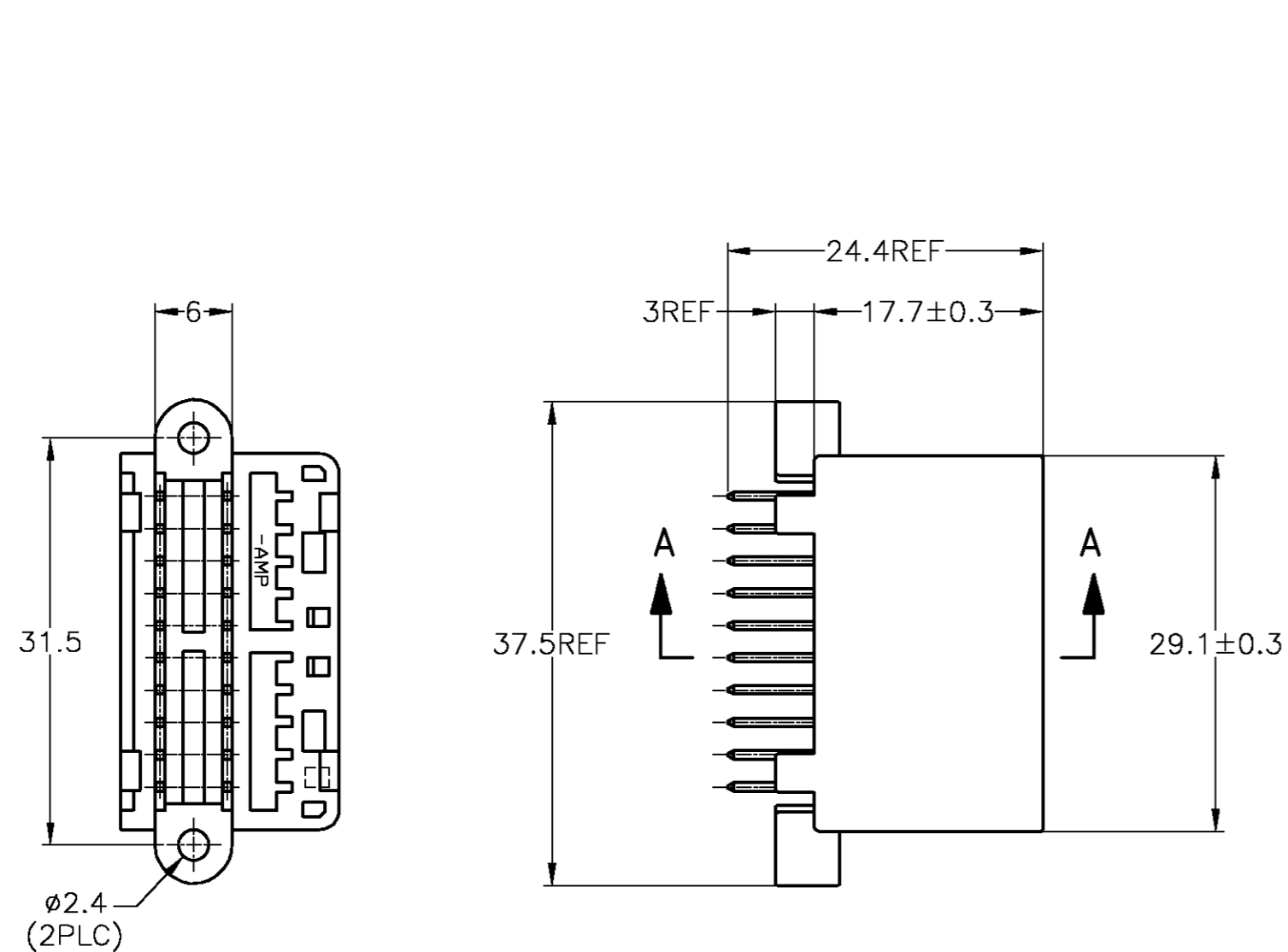


THIS DRAWING IS UNPUBLISHED. RELEASED FOR PUBLICATION  
 © COPYRIGHT BY TYCO ELECTRONICS CORPORATION. ALL RIGHTS RESERVED.

LOC	DIST	REVISIONS					
J	-	P	LTR	DESCRIPTION	DATE	DWN	APVD
		03	REVISED	ECR-07-014190	14JUN07	TS	KB



- 適用プリント基板厚: 1.6mm
- 推奨取付ネジ: JIS B1115, B1122 タッピングネジ、ナベ2種呼び径3、長さ6mm以上(締付トルク: 0.39N-m以下)
- 嵌合相手ハウジング: 175967
- △ [-Z-] 面より2mmの範囲で測定
- 製品規格番号: 108-5281

- APPLICABLE P.C.BOARD THICKNESS, 1.6mm
- RECOMMENDED MOUNTING SCREW 3mm DIA 6mm LENGTH (MIN.) TAPPING SCREW SPECIFIED IN JIS B1115, B1122 (TIGHTENING TORQUE; 0.39N-m MAX.)
- THE MATING PLUG HOUSING PART NUMBER: 175967
- △ TO BE MEASURED WITHIN 2mm FROM [-Z-]
- PRODUCT SPEC NO.: 108-5281

SELECTIVE-TIN (MATTE)	SELECTIVE-TIN (BRIGHT)	BLUE	179254-3
PRE-TIN		BLACK	179254-2
PRE-TIN		BLUE	179254-1
SOLDERING SIDE 半田付け部	CONTACT SIDE 接触部側	COLOR 色	PART NUMBER 製品型番
CONTACT FINISH コンタクト仕上げ			

THIS DRAWING IS A CONTROLLED DOCUMENT.

DWN	05JAN06	T.SHINOHARA	Tyco Electronics AMP K.K. Kawasaki, Japan
CHK	05JAN06	K.BETSUI	
APVD	05JAN06	K.BETSUI	
NAME	K.BETSUI		
PRODUCT SPEC	SEE NOTE 5		040 SERIES MULTI-LOCK I/O CONNECTOR MK-II 20POSITION CAP HOUSING ASSEMBLY
APPLICATION SPEC	取付適用規格		
WEIGHT	-	SIZE	A2
MATERIAL HOUSING: PBT CONTACT: BRASS		DRAWING NO	00779-179254
FINISH 仕上		SCALE	2:1
SEE TABLE		SHEET	1 OF 1
CUSTOMER DRAWING		REV	03

TOLERANCES UNLESS OTHERWISE SPECIFIED:

10 >	±0.2
30 >	±0.25
100 >	±0.3
ANGLE	±0.3°

单击下面可查看定价，库存，交付和生命周期等信息

[>>TE Connectivity\(泰科\)](#)