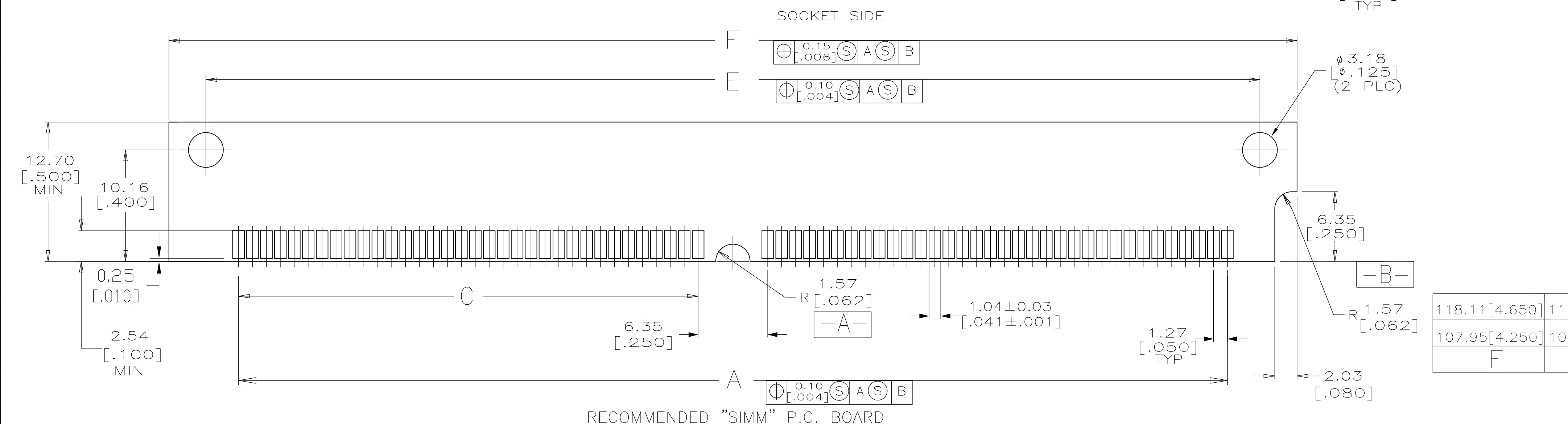
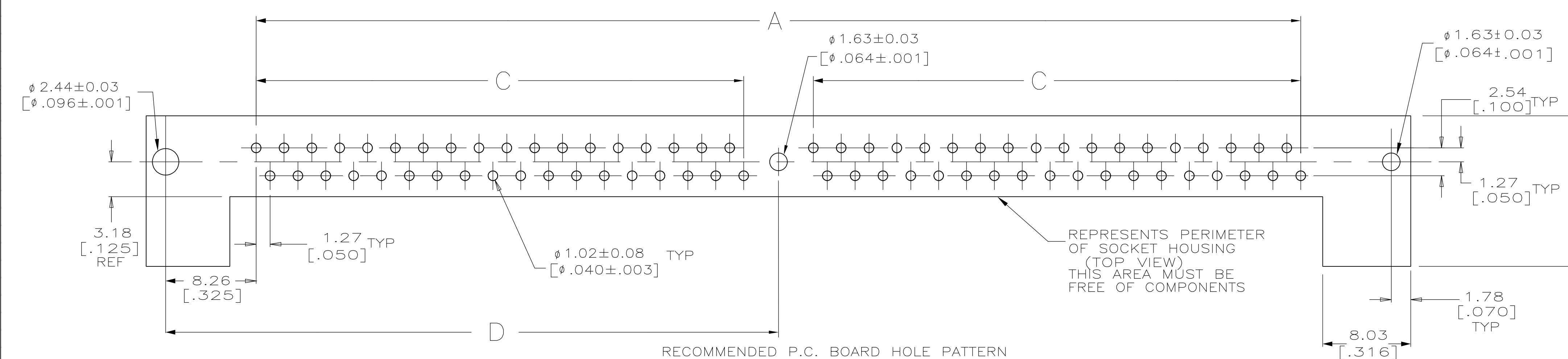
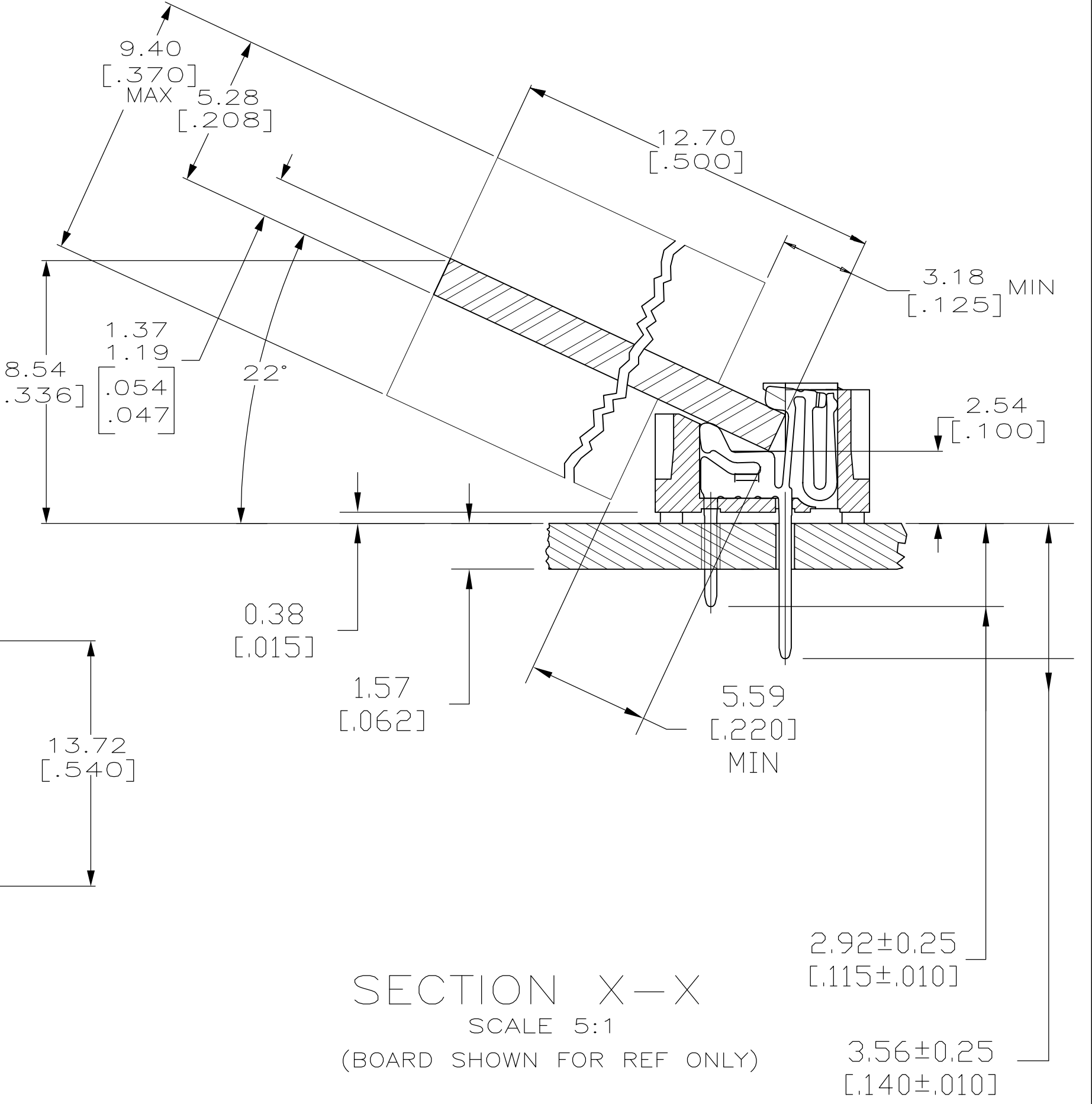
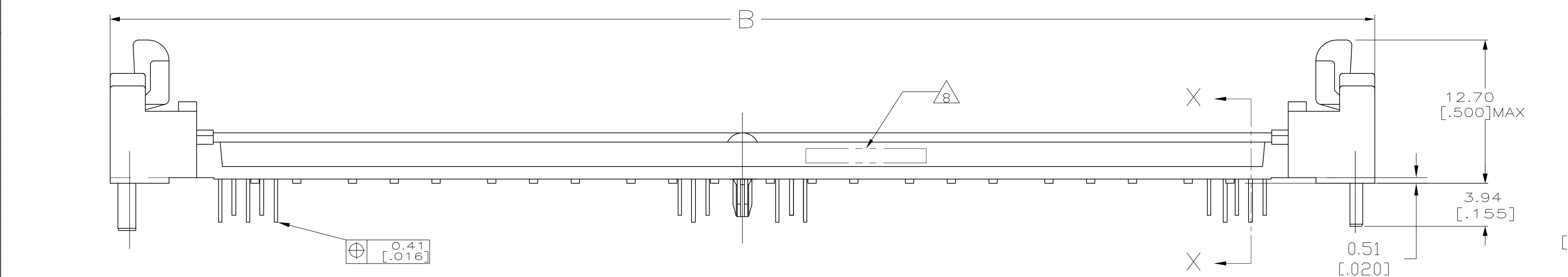


- △ HOUSING-MATERIAL : LIQUID-CRYSTAL-POLYMER.
- △ CONTACT-MATERIAL : PHOS. BRONZE.
- △ LATCH-MATERIAL : STAINLESS STEEL
- △ CONTACT-PLATE: 0.00508[.000200] MIN. MATTE TIN OVER 0.00127 [.000050] MIN NICKEL.
- 5. IN ADDITION TO THOSE RECOMMENDED "SIMM" P.C. BOARD DIMENSIONS AND TOLERANCES SHOWN, ALL JEDEC SPECIFICATIONS APPLY AS SHOWN ON MO-116, ISSUE A.
- 6. RECOMMENDED MATING S.I.M.M. TAB METALLURGY:
BASE METAL-COPPER. PLATING TO BE 0.00762[.000300] MIN TIN/LEAD OVER 0.00127[.000050] MIN NICKEL.
- △ 'S' IDENTIFIER LOCATED APPROXIMATELY AS SHOWN.
- △ DATE CODE INFORMATION (YEAR WEEK), LOCATED APROXIMATELY AS SHOWN ON OPPOSITE SIDE ONLY.



118.11[4.650]	111.35[4.384]	60.96[2.400]	49.53[1.950]	125.48[4.940]	105.41[4.150]	80	5822134-4
107.95[4.250]	101.19[3.984]	55.88[2.200]	44.45[1.750]	115.32[4.540]	95.25[3.750]	72	5822134-3
F	E	D	C	B	A	NO. OF POS	PART NO

THIS DRAWING IS A CONTROLLED DOCUMENT.

DIMENSIONS: mm [INCHES]	TOLERANCES UNLESS OTHERWISE SPECIFIED:	APPROVED: M. YFOMANS	DATE: 07JAN05
0 PLC ± -	1 PLC ± -	NAME: M. YFOMANS	DATE: 07JAN05
2 PLC ± -	3 PLC ± 0.13[.005]	APPLICATION SPEC: -	SIZE: A1
4 PLC ± -	ANGLES ± -	WEIGHT: -	CAGE CODE: 000779
MATERIAL: 1 2 3	FINISH: 4	DRAWING NO: 5822134	SCALE: 5:1
CUSTOMER DRAWING		SHEET: 1 OF 1	REV: B1

STE TE Connectivity
CONNECTOR, MICRO-EDGE, .050, LP, TIN PL, W/METAL LATCH

单击下面可查看定价，库存，交付和生命周期等信息

[>>TE Connectivity\(泰科\)](#)