

| REVISIONS | | |
|-----------|---------------------------|------------|
| LTR | DESCRIPTION | DATE |
| F | REVISED PER ECO-11-021852 | 10/30/2011 |

NOTES

- ALL DIMENSIONS ARE IN $\frac{\text{INCHES}}{\text{[MILLIMETERS]}}$
- DIMENSIONS APPEARING IN TABLE ARE AS FOLLOWS:
 - a - AS SUPPLIED
 - b - AFTER UNRESTRICTED RECOVERY

3. COATING (ADHESIVE): IS OPTIONAL AS SUPPLIED DIMENSIONS APPEARING IN TABLE ARE FOR UNCOATED PARTS. WHEN COATING IS ADDED, ENTRY DIAMETER WILL BE REDUCED BY .06 [1.5] MAX.

4. 207W223, 207W234 & 207W245 HAVE STAINLESS STEEL DOWEL PINS SECURED TYPE "C" NUT IS SUPPLIED WITH PART.

5. "O" RING IS SUPPLIED WITH PART.

6. IN PLACE WITH ADHESIVE.

7. ORDERING INFORMATION

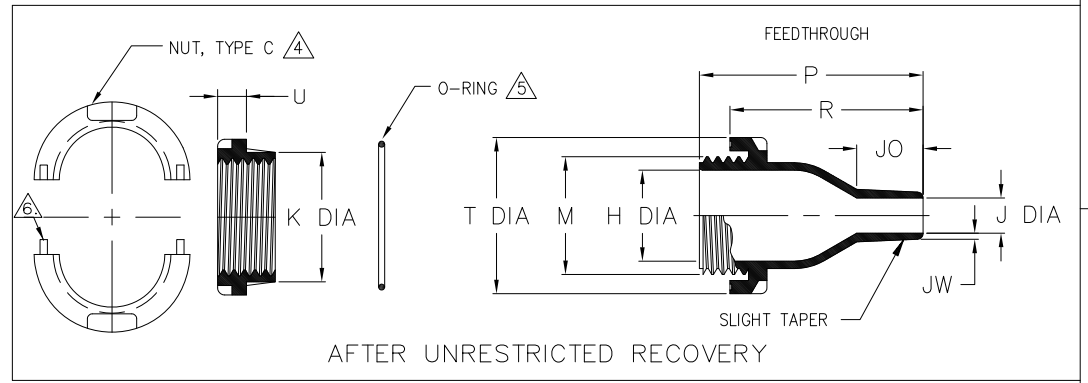
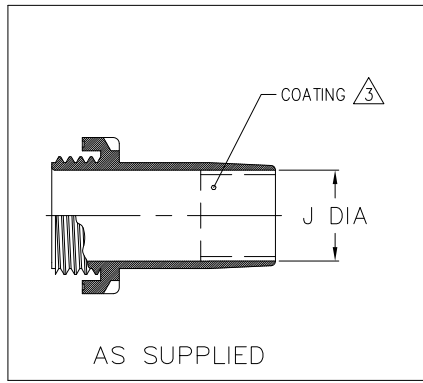
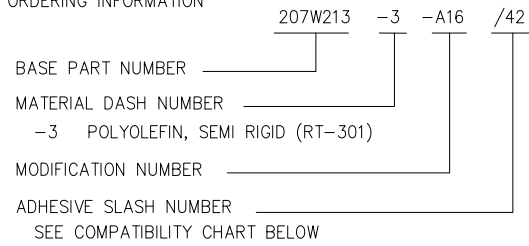


TABLE OF DIMENSIONS

| PART DESCRIPTION | H | J | | JO | K | M | P | R | T | U | JW | HOLE DIA |
|------------------|----------------|----------------|---------------|----------------|----------------|----------------|-----------------|----------------|----------------|--------------|--------------|----------------|
| | REF | MIN | MAX | MAX | REF | THREAD | ±10% | ±10% | REF | ±10% | ±20% | ± .02 |
| | b | a | b | b | b | b | b | b | b | b | b | |
| 207W213-X-A16 | .47 [11,9] | .39 [9,9] | .16 [4,1] | .60 [15,2] | .91 [23,1] | .79 [20,0] | 2.44 [62,0] | 1.93 [49,0] | 1.26 [32,0] | .28 [7,1] | .04 [1,0] | .94 [23,9] |
| 207W223-X-A16 | .79 [20,0] | .71 [18,0] | .28 [7,0] | .77 [19,5] | 1.30 [33,2] | 1.18 [30,0] | 2.84 [72,0] | 2.32 [59,0] | 1.65 [42,0] | .39 [9,9] | .07 [1,8] | 1.34 [34] |
| 207W234-X-A16 | 1.22 [31,0] | 1.10 [28,0] | .47 [12,0] | 1.06 [27,0] | 1.80 [45,7] | 1.65 [42,0] | 3.43 [87,0] | 2.91 [74,0] | 2.28 [58,0] | .39 [9,9] | .08 [2,0] | 1.85 [47,0] |
| 207W245-X-A16 | 1.77 [44,9] | 1.69 [42,9] | .71 [18,0] | 1.26 [32,0] | 2.34 [59,4] | 2.20 [55,8] | 4.42 [112,2] | 3.85 [97,7] | 2.80 [71,1] | .39 [9,9] | .12 [3,0] | 2.07 [52,4] |

If this document is printed it becomes uncontrolled. Check for the latest revision

Raychem Molded Parts
CUSTOMER DRAWING

| COMPATIBILITY CHART | | |
|---------------------|---------------------------------|-----------------------------|
| MATERIAL DASH NO. | ADHESIVE (COATING) SLASH NUMBER | ADHESIVE (COATING) S NUMBER |
| -3 | /42; | S-1017; |
| | | |
| | | |

| | | | |
|--|----------------------------|--|---------------------------|
| UNLESS OTHERWISE SPECIFIED DIMENSIONS ARE INCHES. METRIC DIMENSIONS ARE IN BRACKETS. DECIMAL TOLERANCES .XXX ± 0.005 [0.13 mm] .XX ± 0.01 [0.25 mm] .X ± 0.1 [0.50 mm] ANGLE TOLERANCE .X ± 1 DEG. | REVISED UNGUYEN | | TE Connectivity |
| APPROVED DHURRELL | TITLE FEEDTHROUGH, SEAL | | |
| THIRD ANGLE PROJECTION | SIZE B | CODE IDENT. NO. 06090 | DWG. NO. 207W2XX-X-A16 |
| © 1997-2011 Tyco Electronics Corporation. All rights reserved. | | DO NOT SCALE THIS DRAWING SHEET 1 OF 1 | |

单击下面可查看定价，库存，交付和生命周期等信息

[>>TE Connectivity\(泰科\)](#)