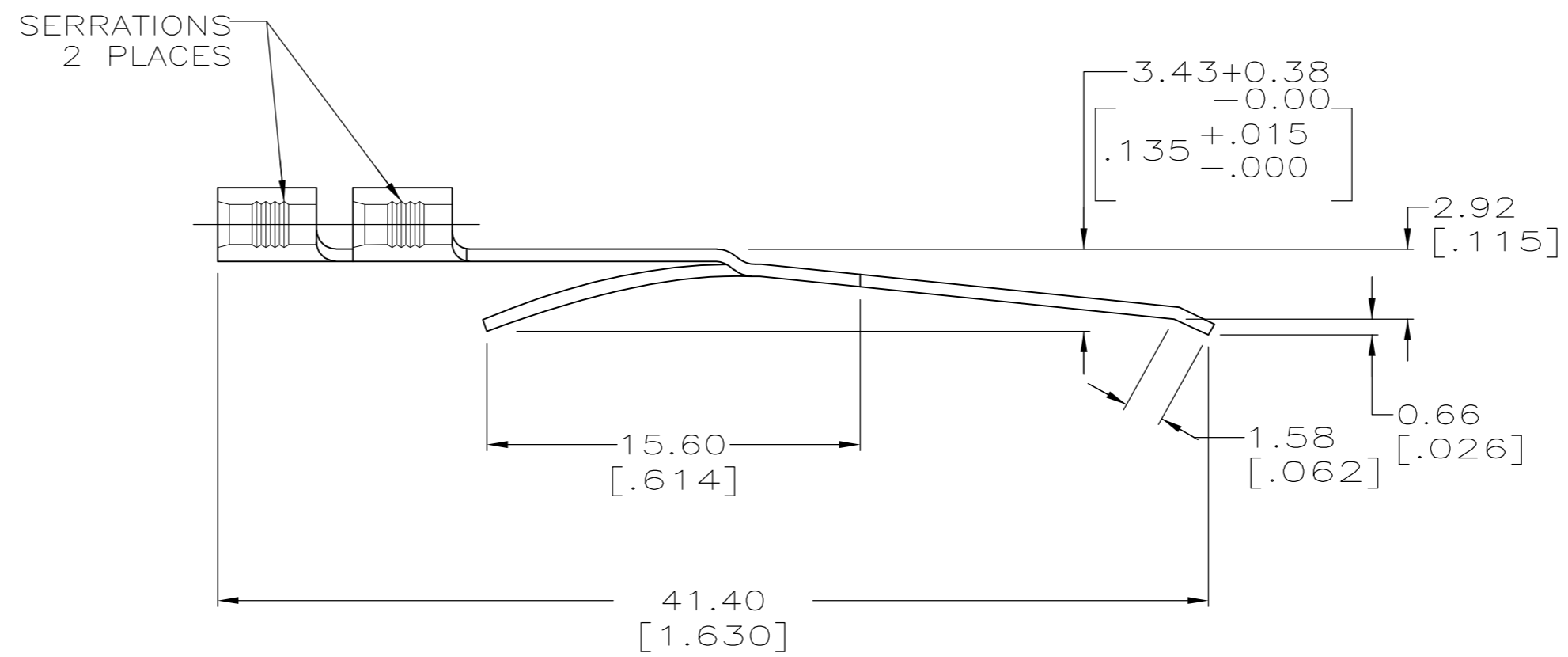
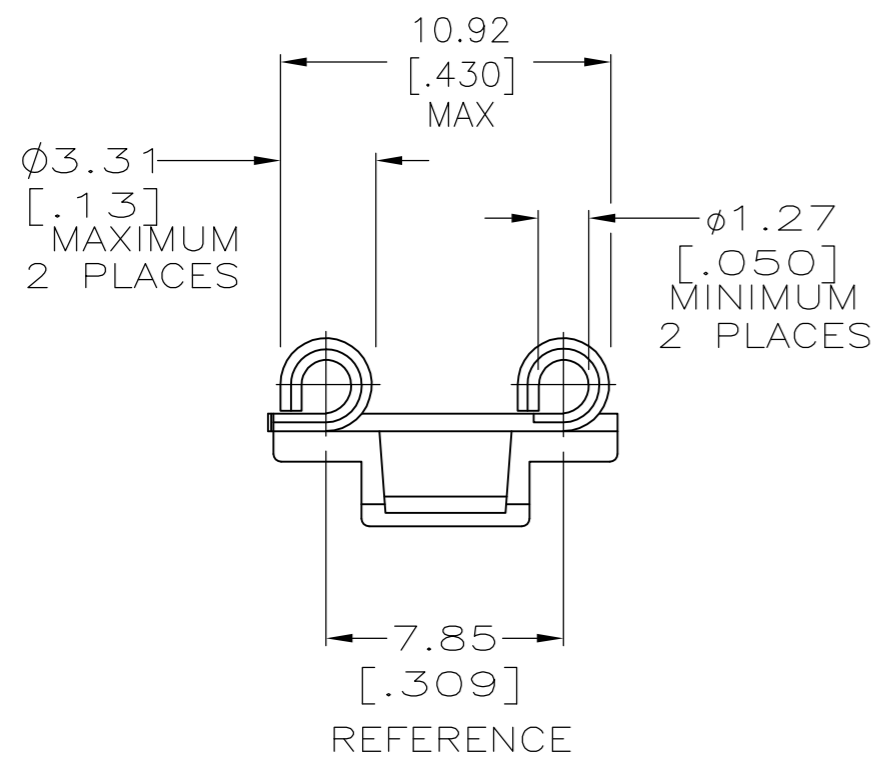
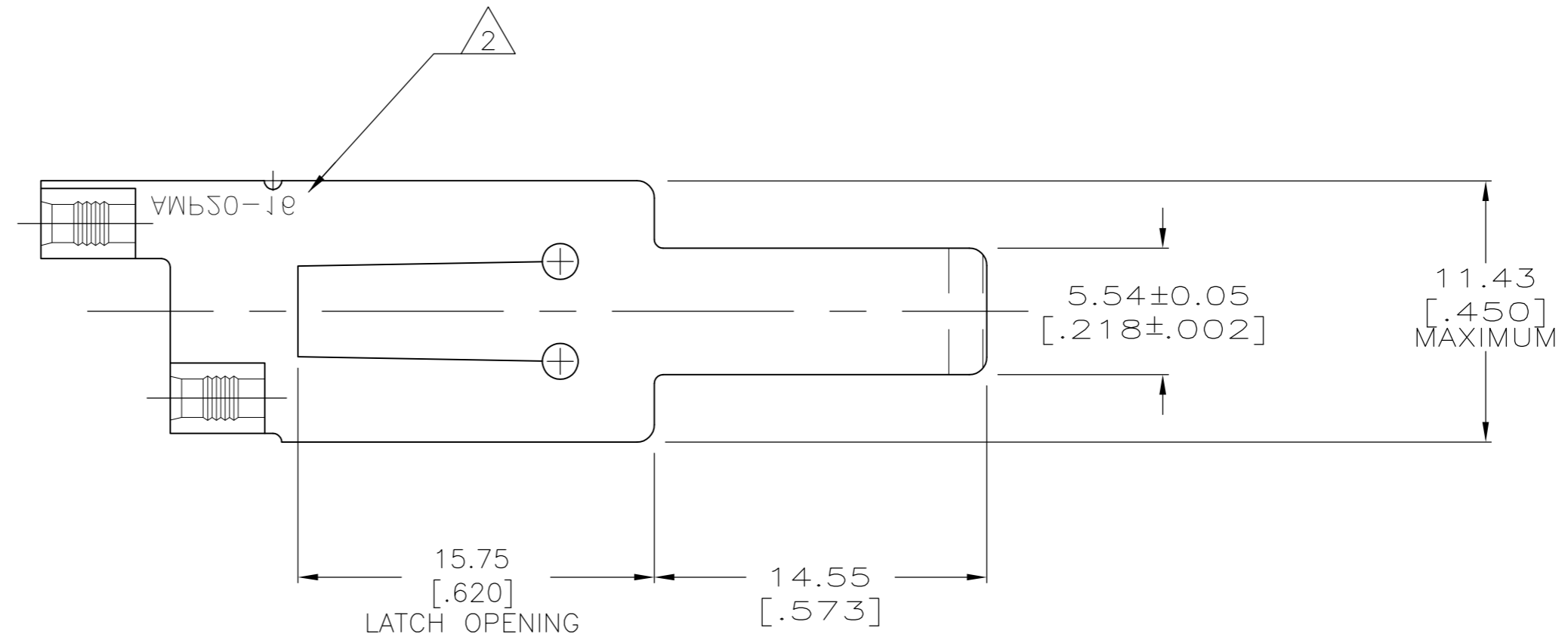


THIS DRAWING IS UNPUBLISHED. RELEASED FOR PUBLICATION
 © COPYRIGHT - By - ALL RIGHTS RESERVED.

REVISIONS					
P	LTR	DESCRIPTION	DATE	DWN	APVD
E		REVISED PER ECO-15-012447	21JUN2016	NK	DR

- 1 DIMENSIONS ARE NOMINAL UNLESS OTHERWISE SPECIFIED.
- 2 TEXT IS LOCATED ON FAR SIDE OF PART.
- 3 MATERIAL: PHOSPHOR BRONZE 0.51[.021] THICK, SILVER PLATED.



53112
 53112-1
 PART NO.

THIS DRAWING IS A CONTROLLED DOCUMENT.		DWN L. McEACHIN/UTA 25MAR96	TE Connectivity	
DIMENSIONS: mm [INCHES]		CHK N. JONES 28FEB96	NAME WIRE TERMINAL, SOLISTRAND-FLAG RELAY CONTACT, WIRE SIZE 20-16	
TOLERANCES UNLESS OTHERWISE SPECIFIED:		APVD P. RIEDL 5MAR96	SIZE A2	CAGE CODE 00779
0 PLC ± - 1 1 PLC ± - 1 2 PLC ± 0.51[.02] 3 PLC ± 0.127[.005] 4 PLC ± - 1 ANGLES ± -		PRODUCT SPEC APPLICATION SPEC	DRAWING NO C=53112	RESTRICTED TO -
MATERIAL 3	FINISH 3	WEIGHT -	SCALE 4:1	SHEET 1 OF 1
CUSTOMER DRAWING			REV E	

单击下面可查看定价，库存，交付和生命周期等信息

[>>TE Connectivity\(泰科\)](#)