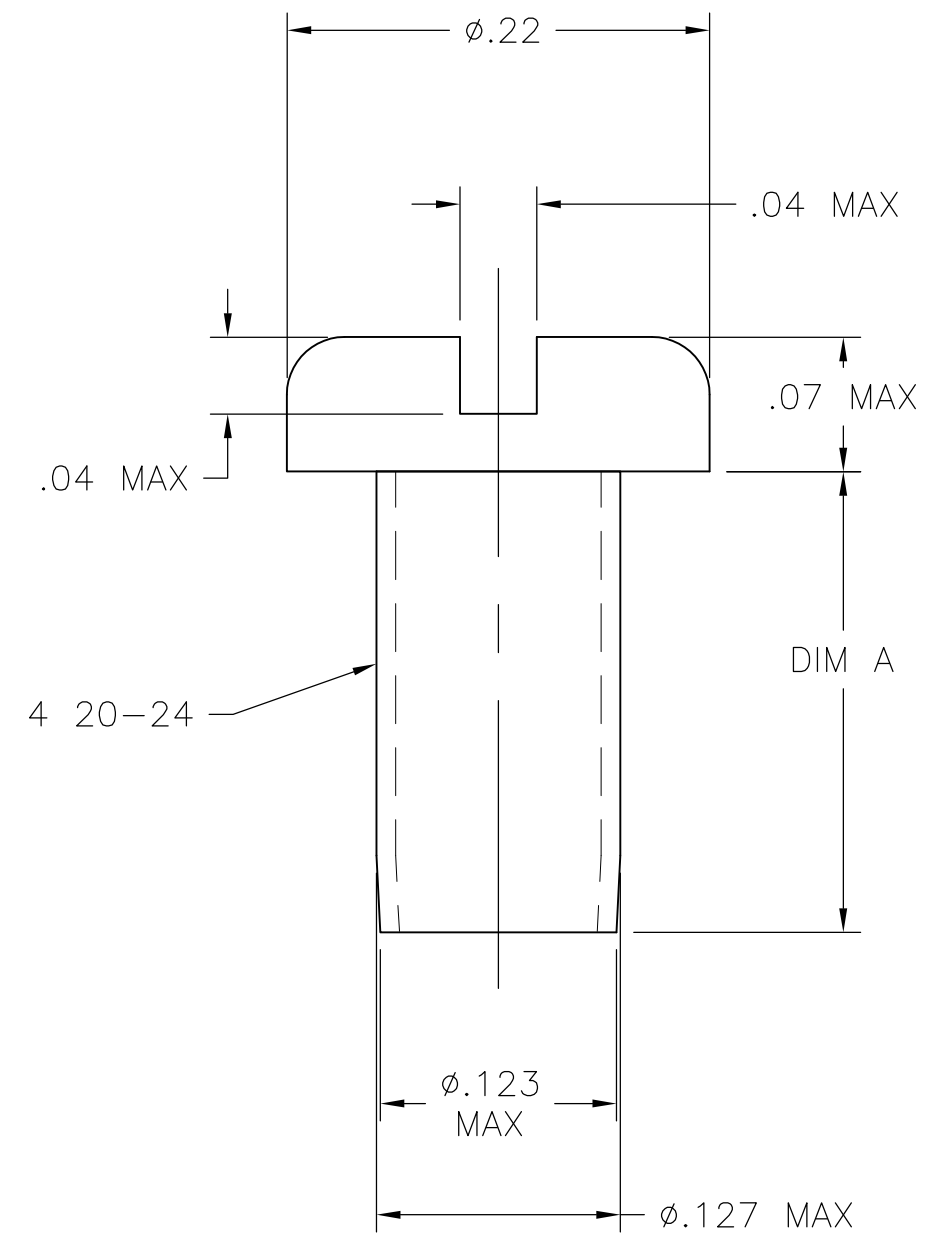



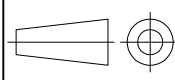
THIS DRAWING IS UNPUBLISHED. RELEASED FOR PUBLICATION
 © COPYRIGHT - By - ALL RIGHTS RESERVED.

LOC	DIST	REVISIONS					
GP	00	P	LTR	DESCRIPTION	DATE	DWN	APVD
		A		PER ECO-12-012349	28MAR13	BL	AC



1. PITCH: 1-2 THREADS MAXIMUM.
2. ALL DIMENSIONS SHOWN ARE FOR REFERENCE ONLY.

OBSOLETE	.300	5552820-2
	.240	5552820-1
	DIM A	PART NUMBER

THIS DRAWING IS A CONTROLLED DOCUMENT.		DWN B. MCMASTER 17AUG05	 TE Connectivity SCREW, THREAD ROLLING, PAN HEAD				
DIMENSIONS: INCHES		CHK W. MILLHIMES 17AUG05					
		APVD M. WALMSLEY 17AUG05					
TOLERANCES UNLESS OTHERWISE SPECIFIED:		PRODUCT SPEC					
0 PLC ± - 1 PLC ± - 2 PLC ± - 3 PLC ± - 4 PLC ± - ANGLES ± -		APPLICATION SPEC	NAME	SIZE	CAGE CODE	DRAWING NO	RESTRICTED TO
MATERIAL CARBON STEEL		FINISH ZINC PLATED	WEIGHT -	A3	00779	C-5552820	-
CUSTOMER DRAWING			SCALE 4:1	SHEET 1 OF 1	REV A		

单击下面可查看定价，库存，交付和生命周期等信息

[>>TE Connectivity\(泰科\)](#)