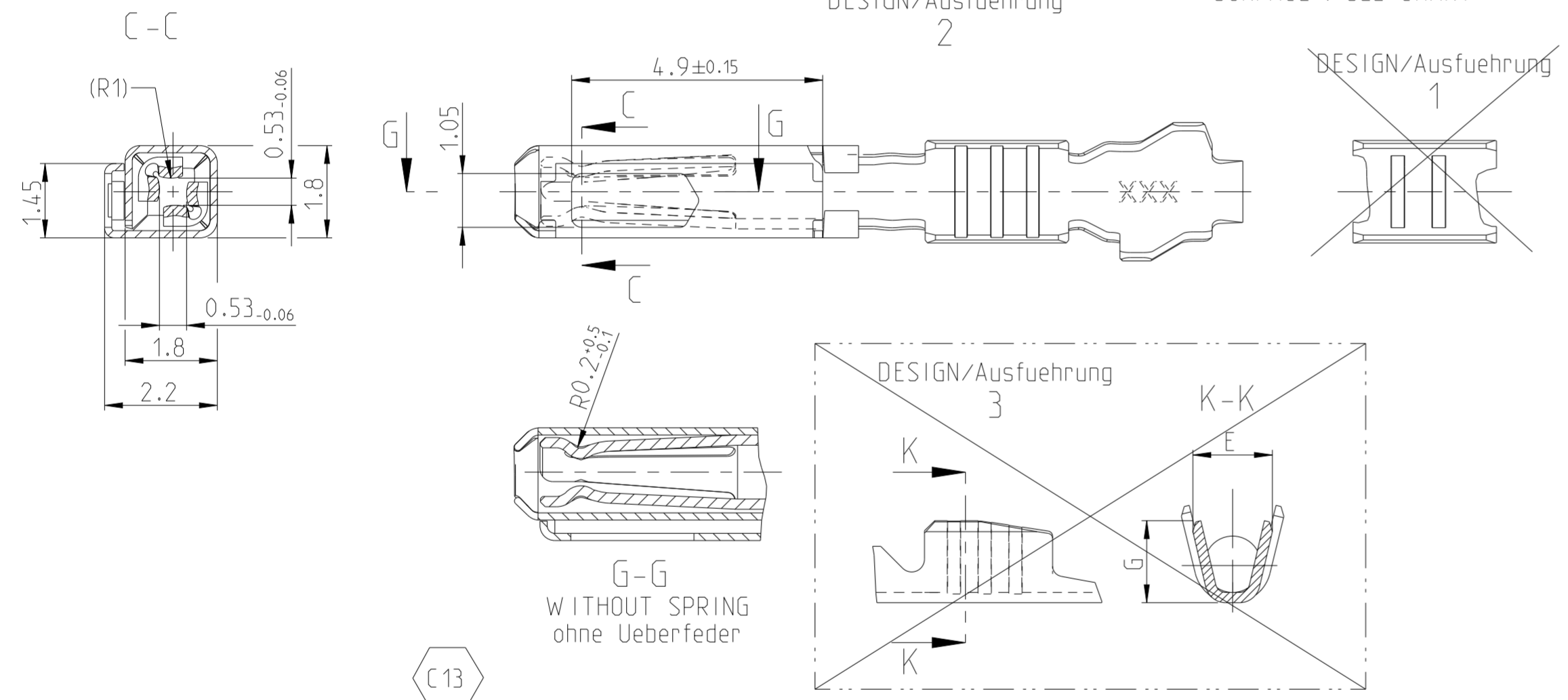
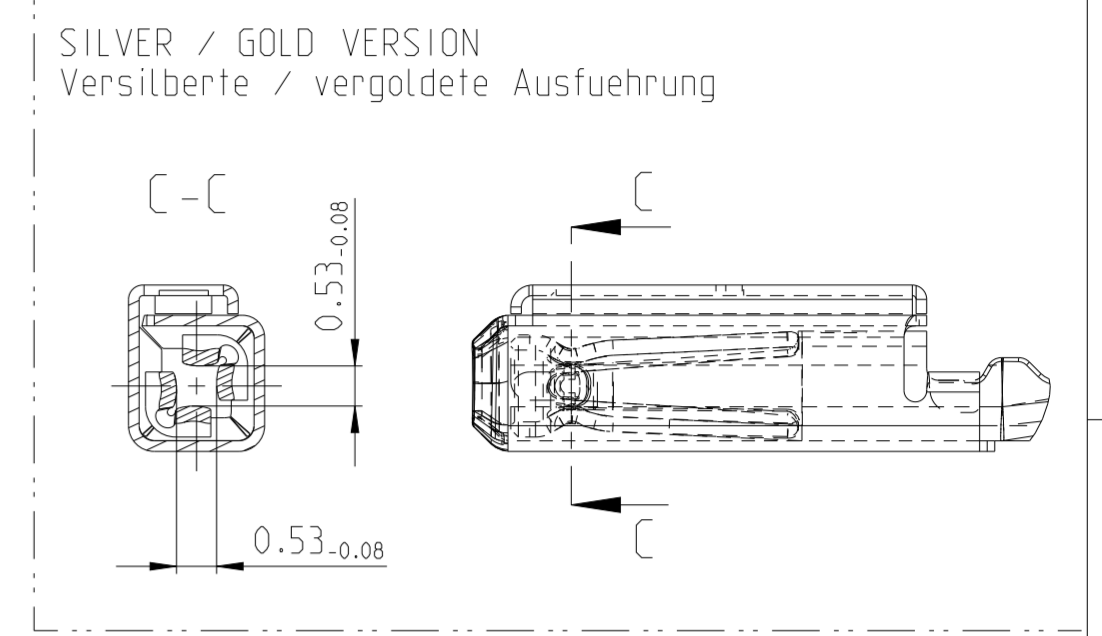
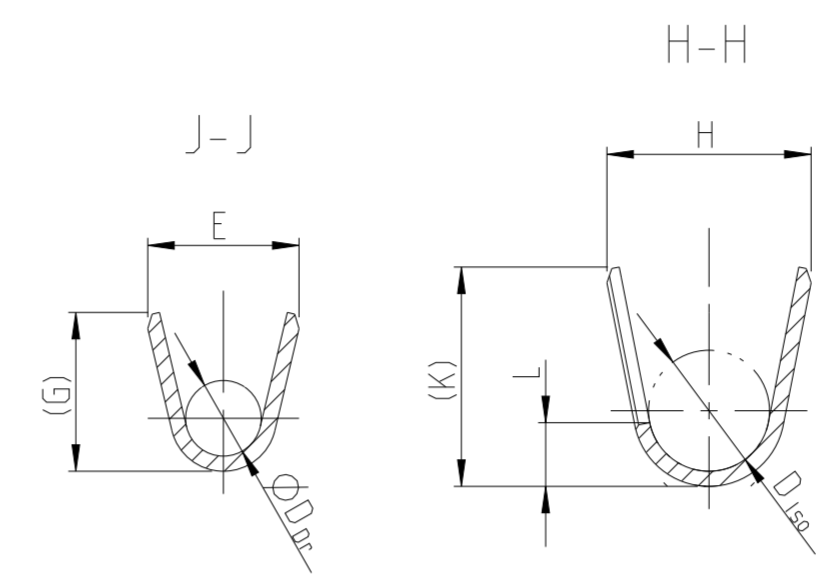
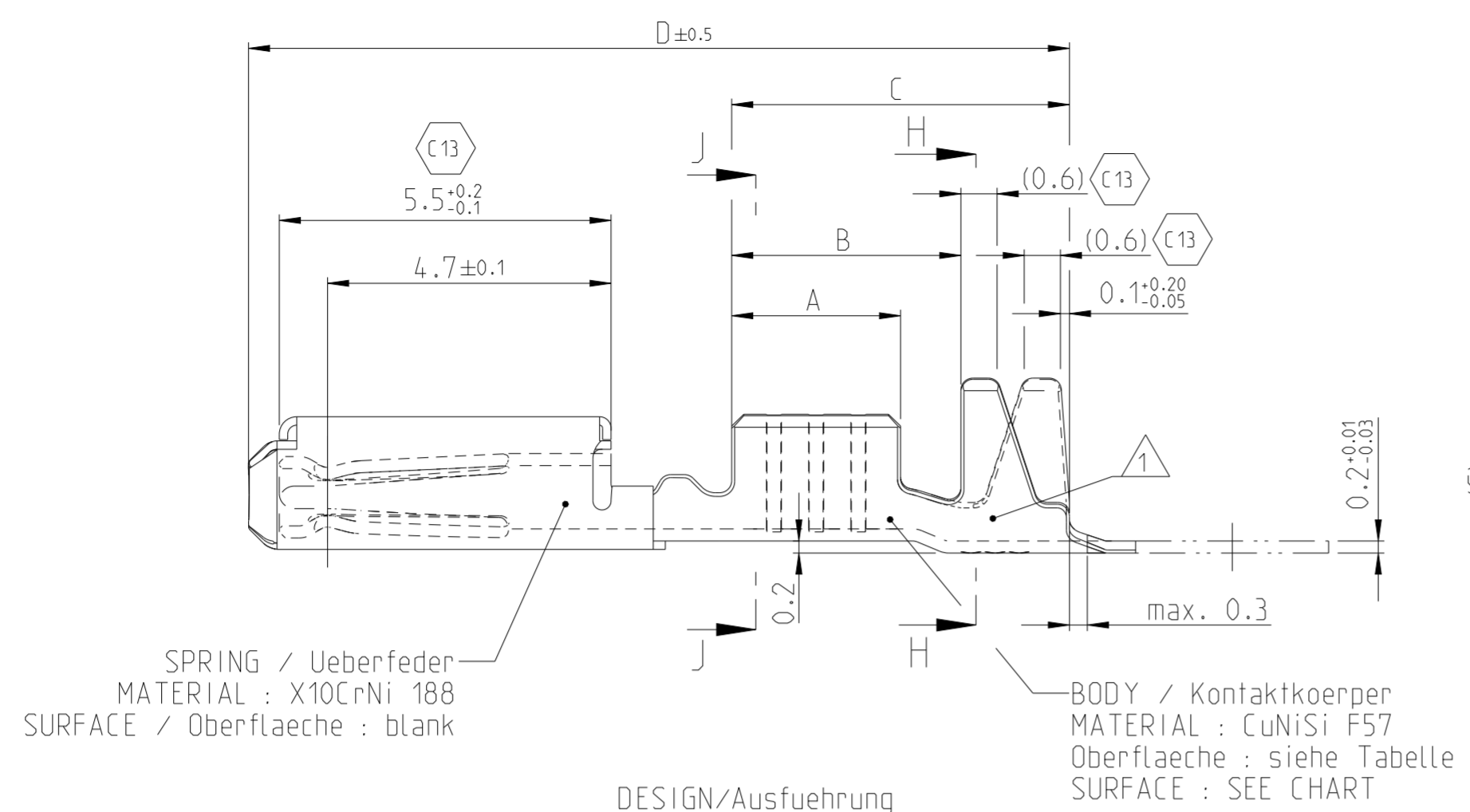


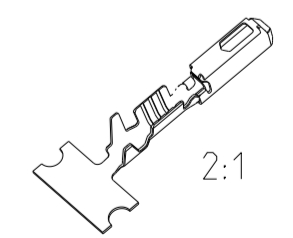
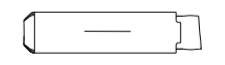
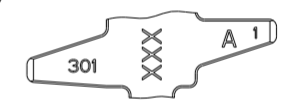
THIS DRAWING IS UNPUBLISHED. RELEASED FOR PUBLICATION 2009  
 © COPYRIGHT 2009 ALL RIGHTS RESERVED.

LOC	DIST	REVISIONS					
A1	-	P	LTR	DESCRIPTION	DATE	DWN	APVD
		C10		NOTE 6 ADDED. ECR-15-007039	06MAY2015	Abr	Brun
		C11		See PCN E-19-011079	09DEC2019	MAH.	BERG
		C12		See PCN E-20-001102	03SEP2020	MAH.	BERG
		C13		See PCN E-20-016678	12AUG2021	FRAN	BERG



NOTES  
 Bemerkungen

- DATE-CODE (WEK/YEAR (E.G. WEEK NUMBER 30/ YEAR 2011)) AND TE REVISION (E.G. REV. A)  
 Datumscode (Woche / Jahr, z.B. KW30/ Jahr 2011) und TE-Revision (z.B.Rev.A)
- SUITABLE FOR PIN CONTACT SEE DRAWING: TE: 929453  
 Passend zu Stiftkontakt siehe Zeichnung: TE: 929453
- DETAILS OF DESIGN ARE LEFT TO MANUFACTURER  
 Einzelheiten der Ausfuehrung bleiben dem Hersteller ueberlassen
- FOR FLR-CONDUCTOR ACCORDING TO DIN 72551-6 ONLY  
 Nur fuer FLR-Leitung nach DIN 72551, Teil 6
- NOT FOR NEW APPLICATION  
 nicht fuer Neuanwendung
- Bei doppelt fallenden Werkzeugen wird die erste Ueberfeder mit einer Kennzeichnung "-" versehen  
 WITH DOUBLE OUT DIES THE FIRST SPRING WILL BE PROVIDED WITH AN INDICATION "-"



ODER NO. DESIGN	ODER NO. DESIGN	REV.	ODER NO. DESIGN	REV.	WIRE SIZE RANGE	SURFACE	LENGTH	WIRE CRIMP	INSU. CRIMP
Bestell-Nr. Ausfuehrung	Bestell-Nr. Ausfuehrung		Bestell-Nr. Ausfuehrung		DGB	Oberflaeche	Laenge	Drahtcrimp	Iso' crimp
2	3		1	5	mm <sup>2</sup>		DIMENSIONS/ Abmessungen mm		
5-968221-6		A	7 968221-6	A	0.5-0.75	Ag	A = 2.8	E = 2	H = 2.7
5-968221-5		A	7 968221-5	C		Au	B = 3.8	G = 2	K = 2.9
5-968221-1		A	7 968221-1	C		Sn	C = 5.6	D <sub>Dr</sub> = 1	L = 0.7
5-968220-6		A	7 968220-6	C	0.25-0.35	Ag	A = 2.5	E = 1.8	H = 2.3
5-968220-5		A	7 968220-5	C		Au	B = 3.6	G = 1.8	K = 2.3
5-968220-1		A	7 968220-1	C		Sn	C = 5.6	D <sub>Dr</sub> = 0.8	L = 0.6
2208453-6		A			0.08-0.22	Ag	A = 2.5		H = 2
2208453-5		A				Au	B = 3.7	E = 1.6	K = 1.9
2208453-1		A				Sn	C = 5.4	G = 1.6	D <sub>Iso</sub> = 1.1

THIS DRAWING IS A CONTROLLED DOCUMENT.		DWN Abraham.G. 06AUG2003	<b>STE</b> TE Connectivity	
		CHK Kampmann.H. 07AUG2003		
DIMENSIONS: mm	TOLERANCES UNLESS OTHERWISE SPECIFIED:	APVD	NAME	MQS CLEAN BODY
	0-PLC ±	PRODUCT SPEC	Productgroup Drawing Socket Contact	
	1-PLC ± ±0.2	APPLICATION SPEC	SIZE	108-18030
	2-PLC ± ±0.2		CAGE CODE	114-18021
	3-PLC ± ±0.2		DRAWING NO	A2100779 C-1355900
	4-PLC ANGLES ± 1°		RESTRICTED TO	
MATERIAL	FINISH	WEIGHT	CUSTOMER DRAWING	
			SCALE	10:1
			SHEET	1 OF 1
			REV	C13

单击下面可查看定价，库存，交付和生命周期等信息

[>>TE Connectivity\(泰科\)](#)