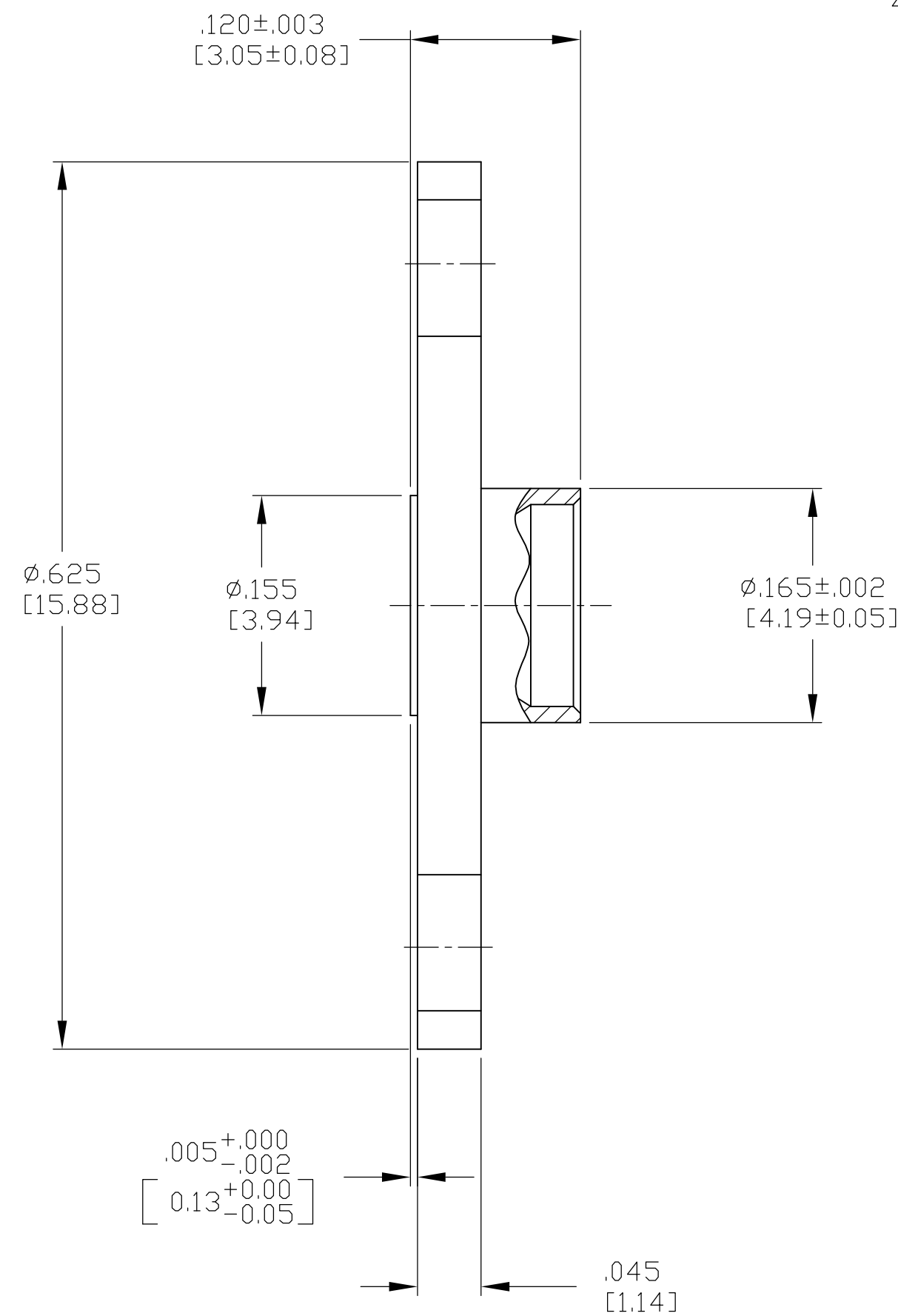
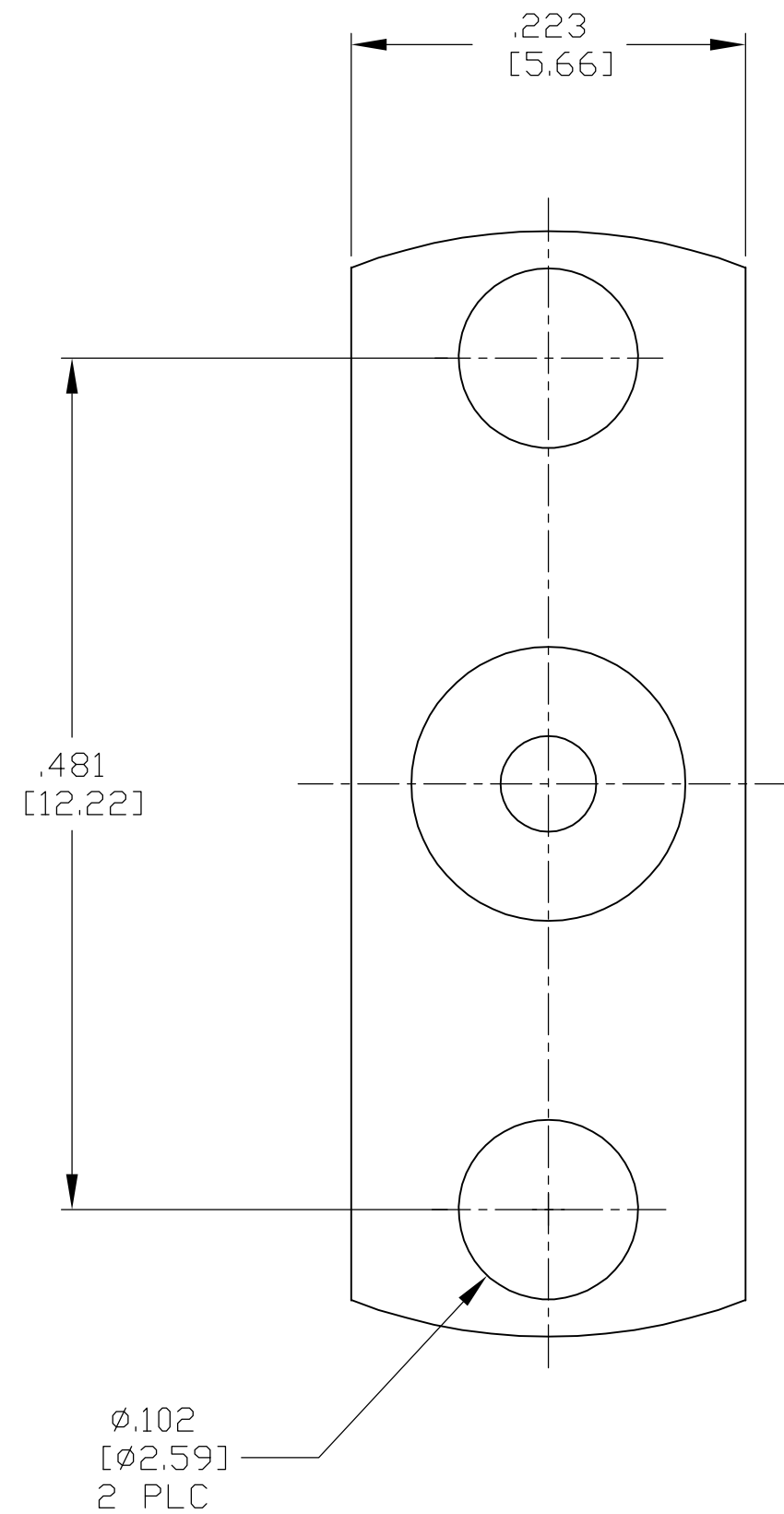


THIS DRAWING IS UNPUBLISHED. RELEASED FOR PUBLICATION  
 © COPYRIGHT BY TYCO ELECTRONICS CORPORATION. ALL RIGHTS RESERVED.

LOC		DIST		REVISIONS			
P	LTR	DESCRIPTION		DATE	DWN	APVD	
X0	DF	A	RELEASED	4-18-05	CT	BM	

- 1. STAINLESS STEEL PER ASTM-A-582
- 2. PASSIVATION PER AMS QQ-P-35
- 3. SMP INTERFACE PER MIL-STD-348A, FIGURE 326-4
- 4. DSCC REFERENCE PART NUMBER: 94007ZSP-4S



		1757027-1
FINISH	MATERIAL	PART NO.

THIS DRAWING IS A CONTROLLED DOCUMENT.		DWN B. MOYER 12APRO5	Tyco Electronics Corporation Harrisburg, Pa 17105-3608													
DIMENSIONS: INCHES		CHK C.C.THOMAS 4-18-05	AMP													
TOLERANCES UNLESS OTHERWISE SPECIFIED:		APVD B. MOYER 4-18-05														
<table border="1"> <tr><td>0 PLC</td><td>± -</td></tr> <tr><td>1 PLC</td><td>± -</td></tr> <tr><td>2 PLC</td><td>± -</td></tr> <tr><td>3 PLC</td><td>± .005 (0.13)</td></tr> <tr><td>4 PLC</td><td>± -</td></tr> <tr><td>ANGLES</td><td>± 1°</td></tr> </table>		0 PLC	± -	1 PLC	± -	2 PLC	± -	3 PLC	± .005 (0.13)	4 PLC	± -	ANGLES	± 1°	PRODUCT SPEC	NAME HOUSING SHROUD, SMOOTH BORE SMP	
0 PLC	± -															
1 PLC	± -															
2 PLC	± -															
3 PLC	± .005 (0.13)															
4 PLC	± -															
ANGLES	± 1°															
MATERIAL SEE TABLE		FINISH SEE TABLE	APPLICATION SPEC	RESTRICTED TO												
CUSTOMER DRAWING		WEIGHT -	SIZE A2	CAGE CODE 00779												
		SCALE 10:1	DRAWING NO. C=1757027	SHEET 1 OF 1												

单击下面可查看定价，库存，交付和生命周期等信息

[>>TE Connectivity\(泰科\)](#)