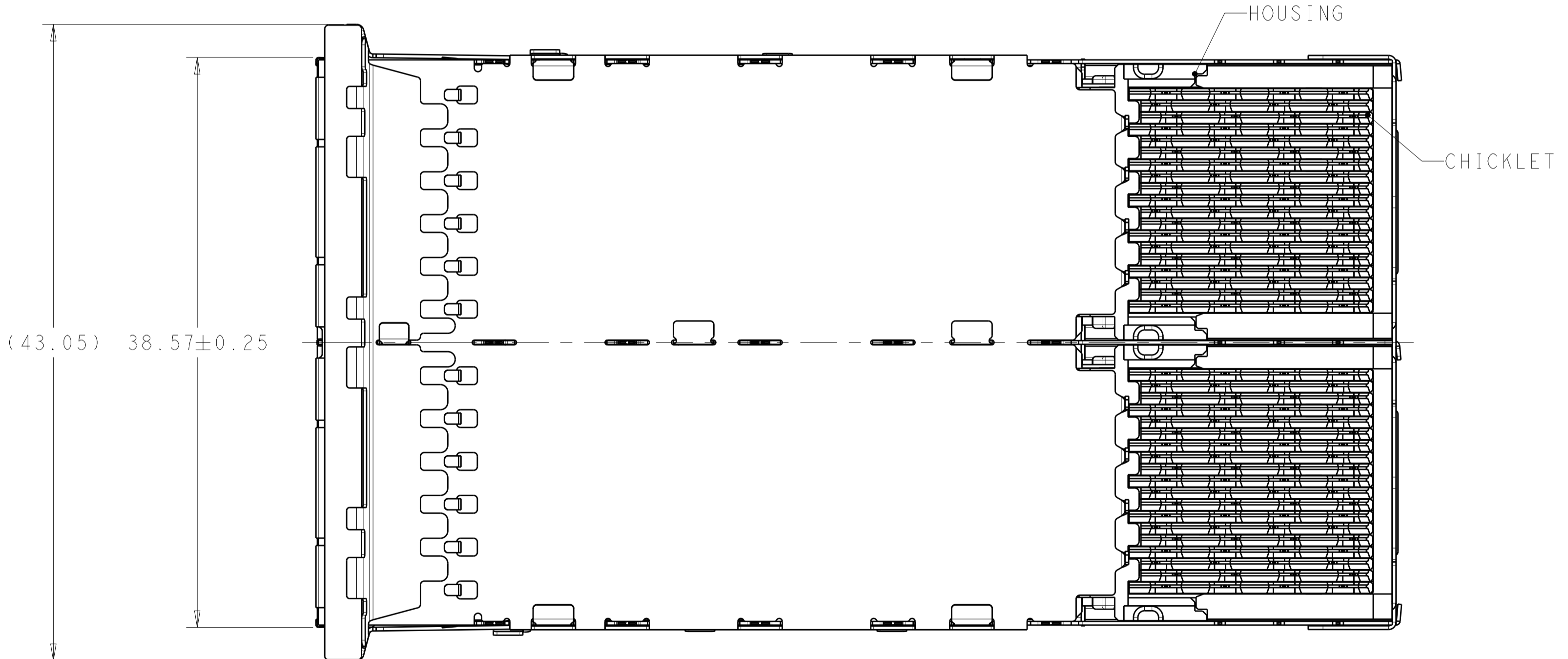
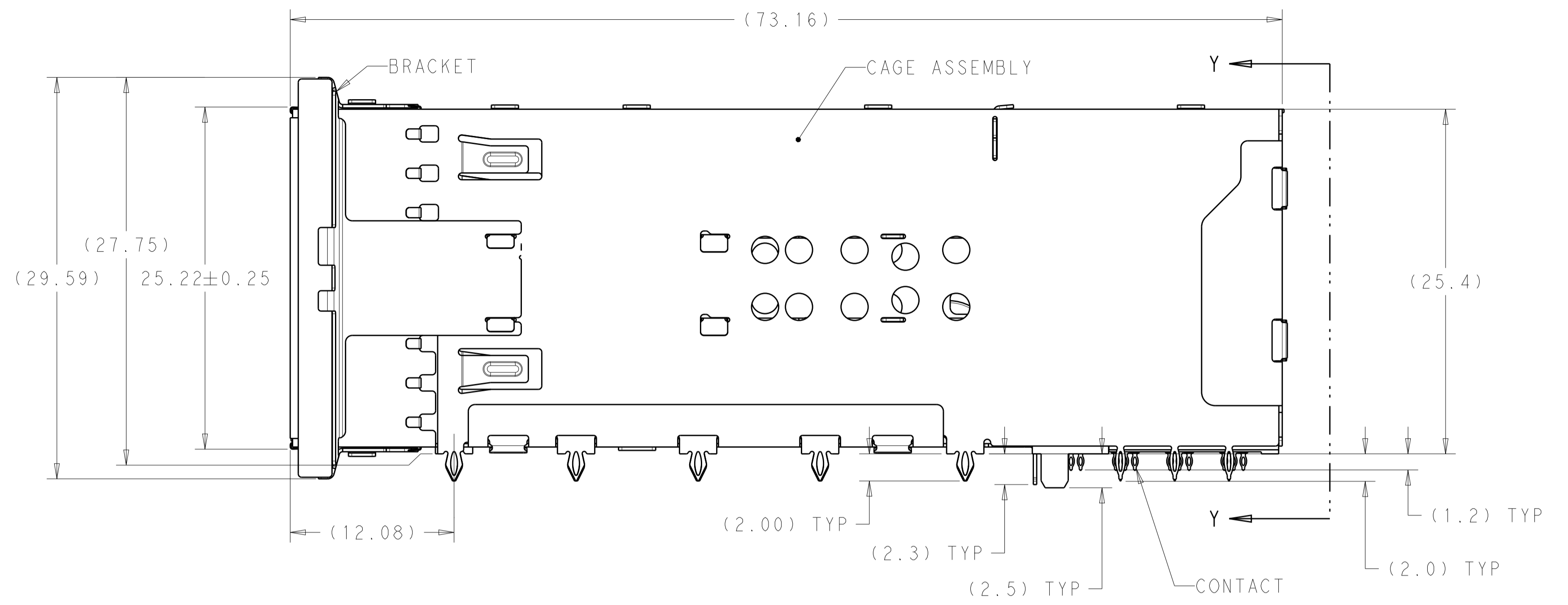
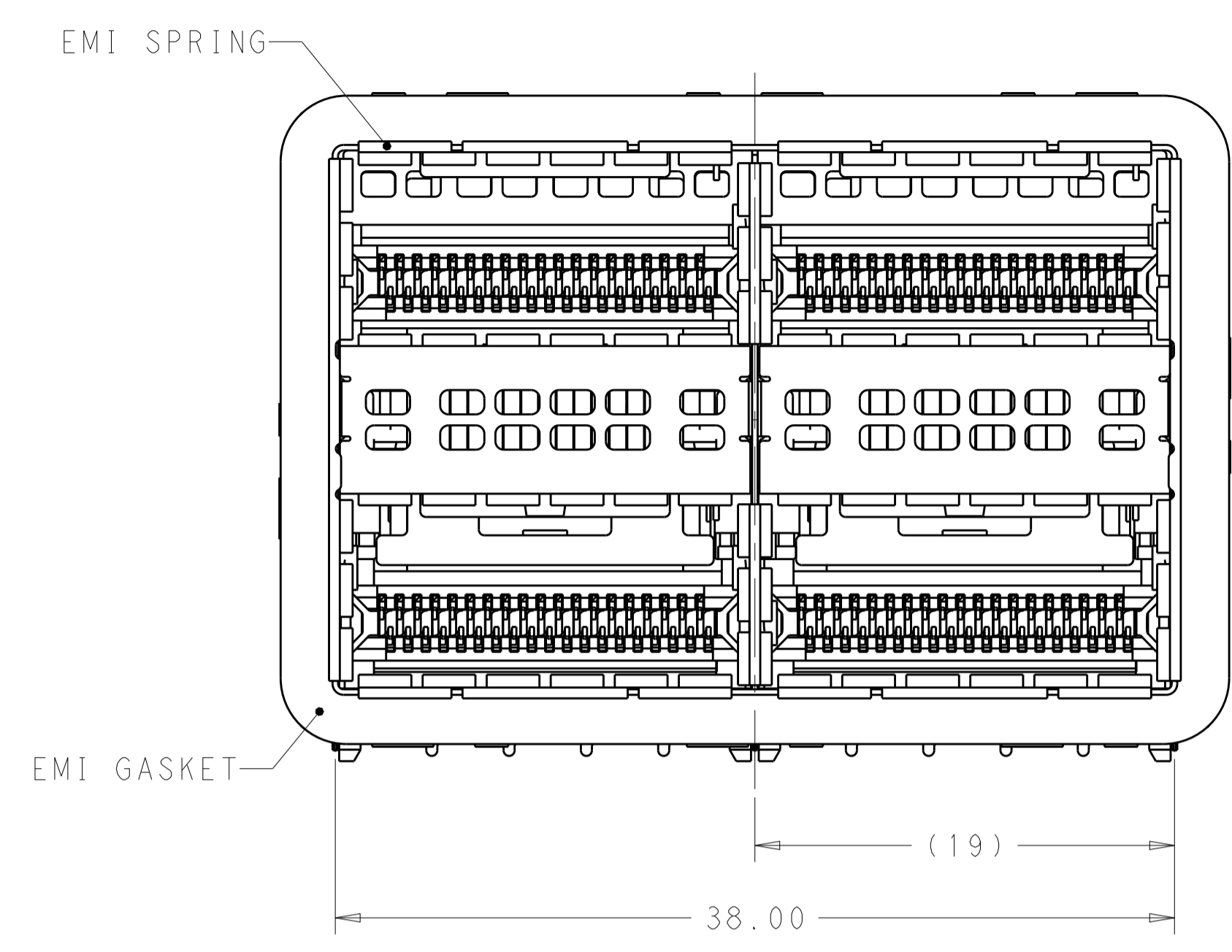


LOC	DIST	REVISIONS			
P	LTH	DESCRIPTION	DATE	DWN	APVD
GP	00	A	RELEASED FOR PRODUCTION	02MAR2016	TX SH



- MATERIALS:
 CAGE ASSEMBLY- NICKEL SILVER ALLOY PER ASTM B 122.
 BRACKET- NICKEL SILVER ALLOY PER ASTM B 122.
 EMI SPRING- COPPER ALLOY, NICKEL PLATED.
 EMI GASKET- PLATED FILLED SILICONE.
 HOUSING- POLYESTER LCP WITH 94V-0.
 CHICKLET- POLYESTER LCP WITH 94V-0.
 CONTACT- COPPER ALLOY.
 LIGHTPIPE- POLYCARBONATE WITH 94V-0.
- CONTACT FINISH: 0.76µm GOLD ON MATING END, 1.25µm TIN ON SOLDER TAIL, ALL OVER 1.27µm NICKEL.
- DATUM AND BASIC DIMENSION ESTABLISHED BY CUSTOMER.
- MINIMUM PCB THICKNESS OF 1.57.
- THE ENTIRE AREA OF THE CONNECTOR FOOTPRINT, INDICATED BY THE DASHED LINE, TO BE CONSIDERED THE KEEPOUT AREA FOR COMPONENTS.
- CROSS-HATCHED AREAS REPRESENT ZONES ON THE PCB THAT COME IN CONTACT WITH OR BE IN CLOSE PROXIMITY TO THE PLASTIC HOUSING OR THE CONNECTOR CAGE. INDICATED AREAS TO BE CONSIDERED TRACE FREE.
- PART NUMBER AND DATE CODE MARKED IN APPROXIMATE AREA SHOWN.
- THESE HOLES ARE OPTIONAL WHEN PINS ON BACK OF CAGE ARE REMOVED.
- CONTACT FINISH: 0.08µm MINIMUM GOLD OVER 0.68µm PALLADIUM-NICKEL ON MATING END, 1.25µm MATT TIN ON SOLDER TAIL, ALL OVER 1.27µm NICKEL.

CONTACT FINISH	DESCRIPTION	PART NUMBER
9	LEFT INDICATOR DOWN	2227225-6
9	LEFT INDICATOR UP	2227225-5
9	NO LIGHTPIPE	2227225-4
2	LEFT INDICATOR DOWN	2227225-3
2	LEFT INDICATOR UP	2227225-2
2	NO LIGHTPIPE	2227225-1

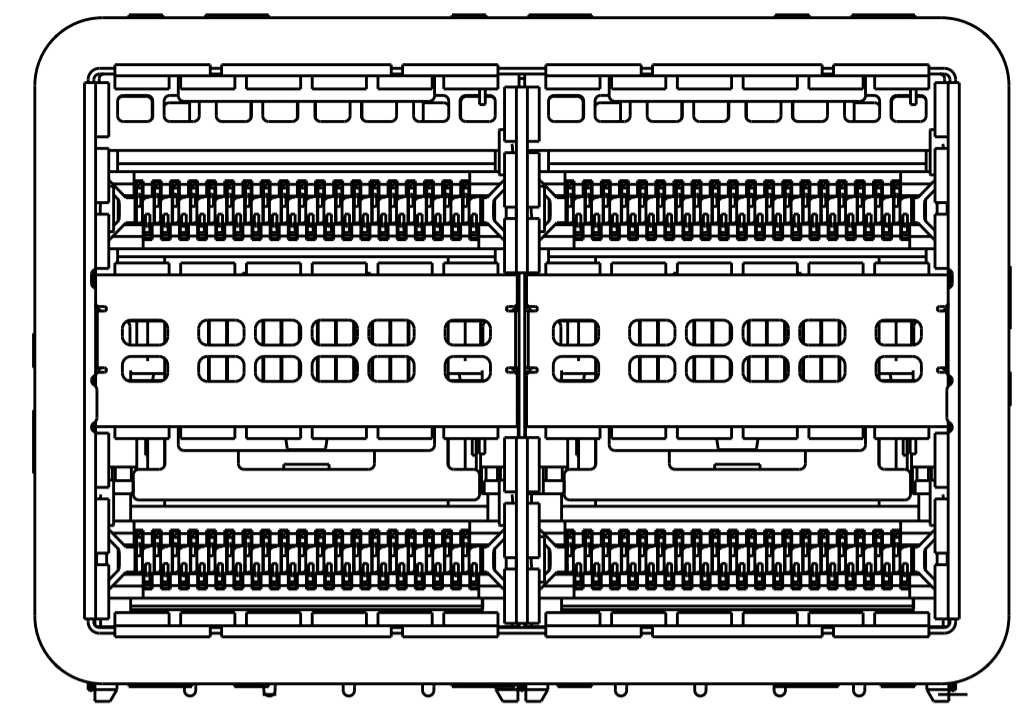
THIS DRAWING IS A CONTROLLED DOCUMENT. DIMENSIONING AND TOLERANCING PER ASME Y14.5M-2009. TOLERANCES UNLESS OTHERWISE SPECIFIED:

DIMENSIONS:	mm	0 PLC ±0.25	1 PLC ±0.15	2 PLC ±0.10	3 PLC ±0.05	4 PLC ±0.02
ANGLES:	°	±0.5	±0.2	±0.1	±0.05	±0.02
MATERIAL FINISH:						

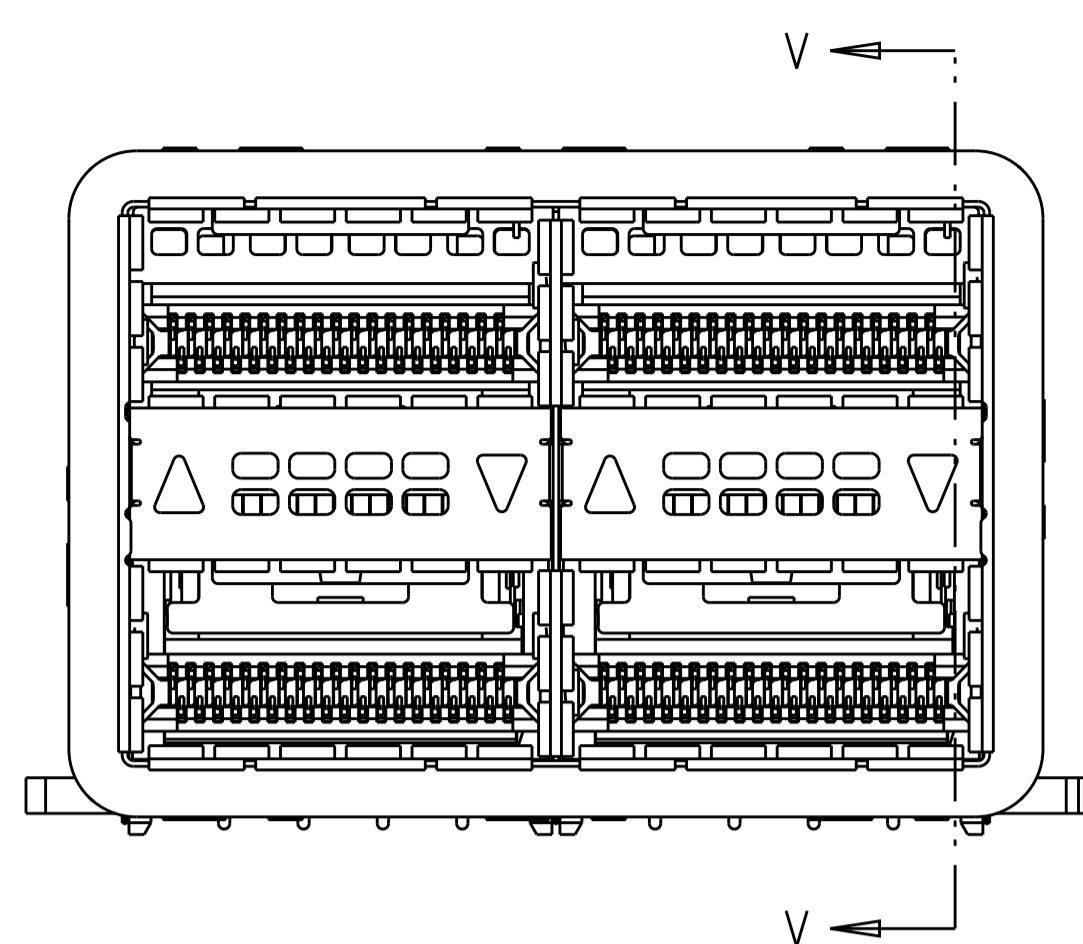
OWN: M. SHIRK 03AUG2012
 CHK: D. SZCZESNY 03AUG2012
 APVD: -
 PRODUCT SPEC: 108-60102
 APPLICATION SPEC: 114-60015
 WEIGHT: -
 CUSTOMER DRAWING

NAME: CAGE AND CONNECTOR ASSEMBLY, WITH EMI GASKET, 2X2, ZQSFP+ STACKED
 SIZE: CAGE CODE DRAWING NO: A100779
 C=2227225
 RESTRICTED TO: -
 SCALE: 4:1 SHEET 1 OF 4 REV A

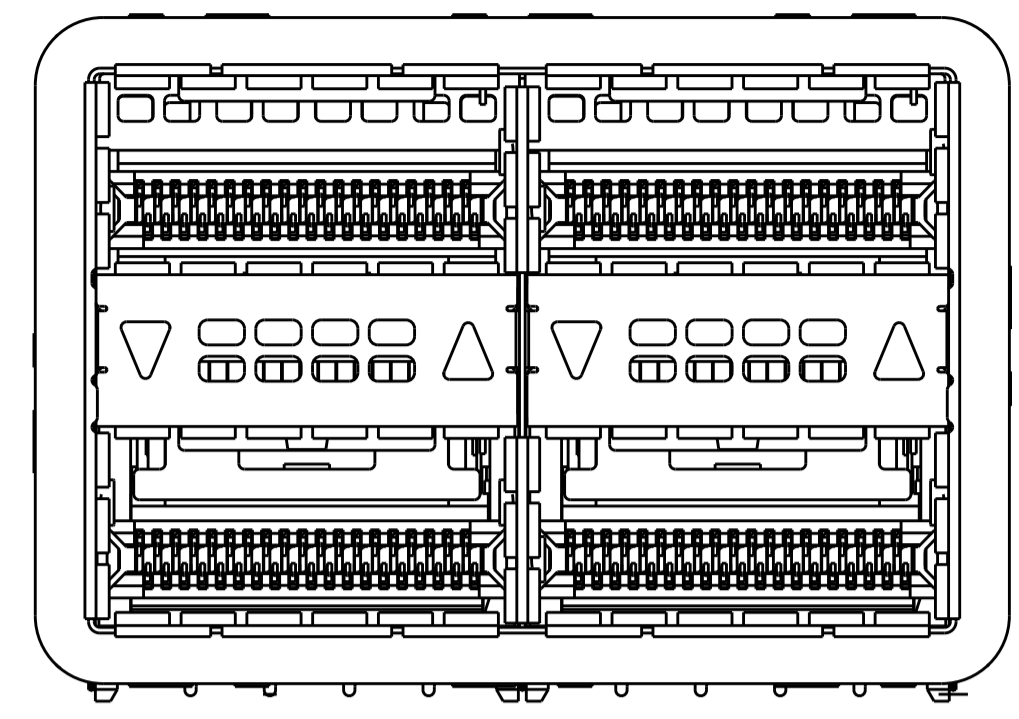
REVISONS		DATE	OWN	APVD
P	LTH			
-	-	SEE SHEET 1	-	-



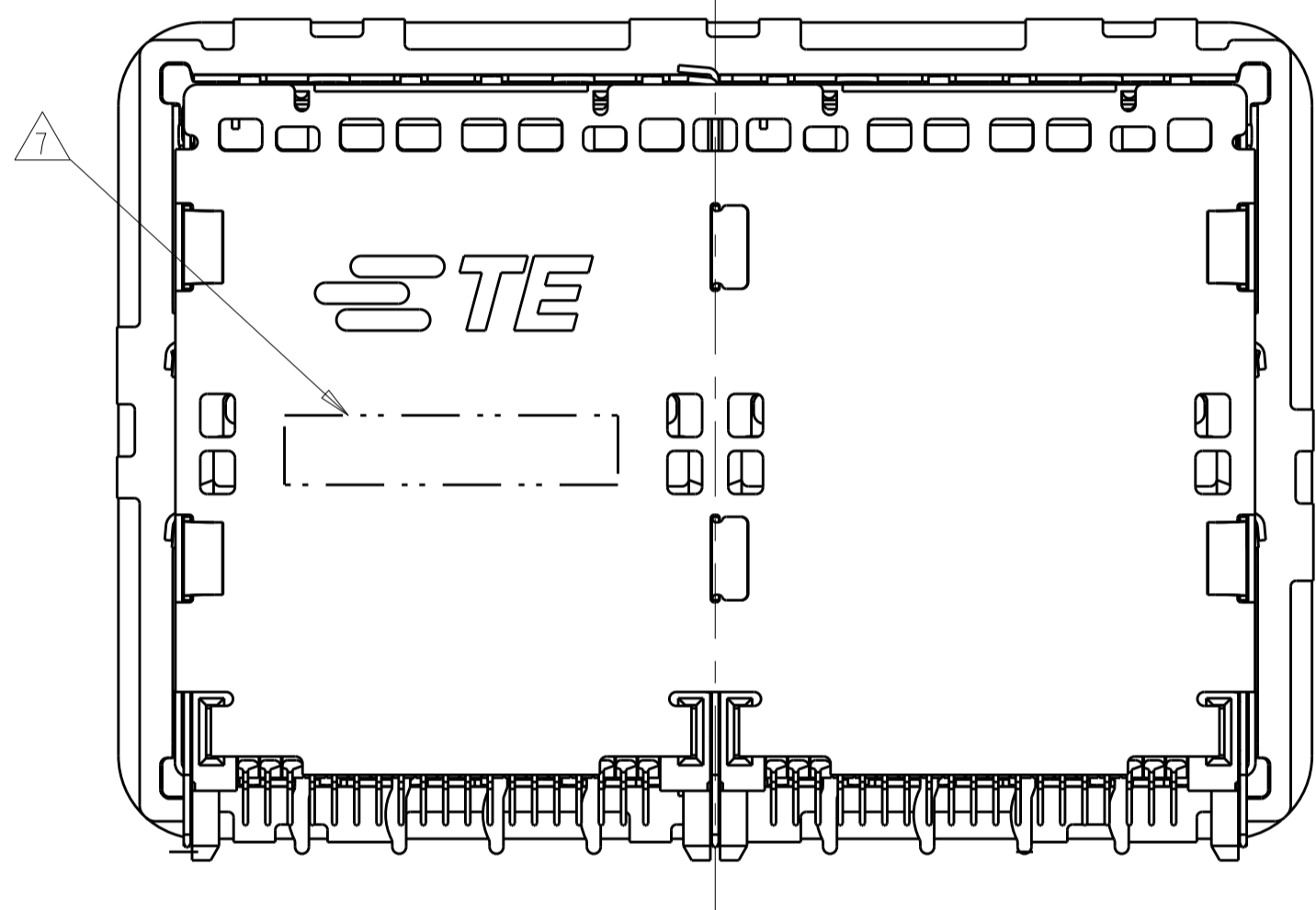
2227225-1 / 2227225-4
 NO LIGHTPIPE IN ASSEMBLY
 SCALE 3:1



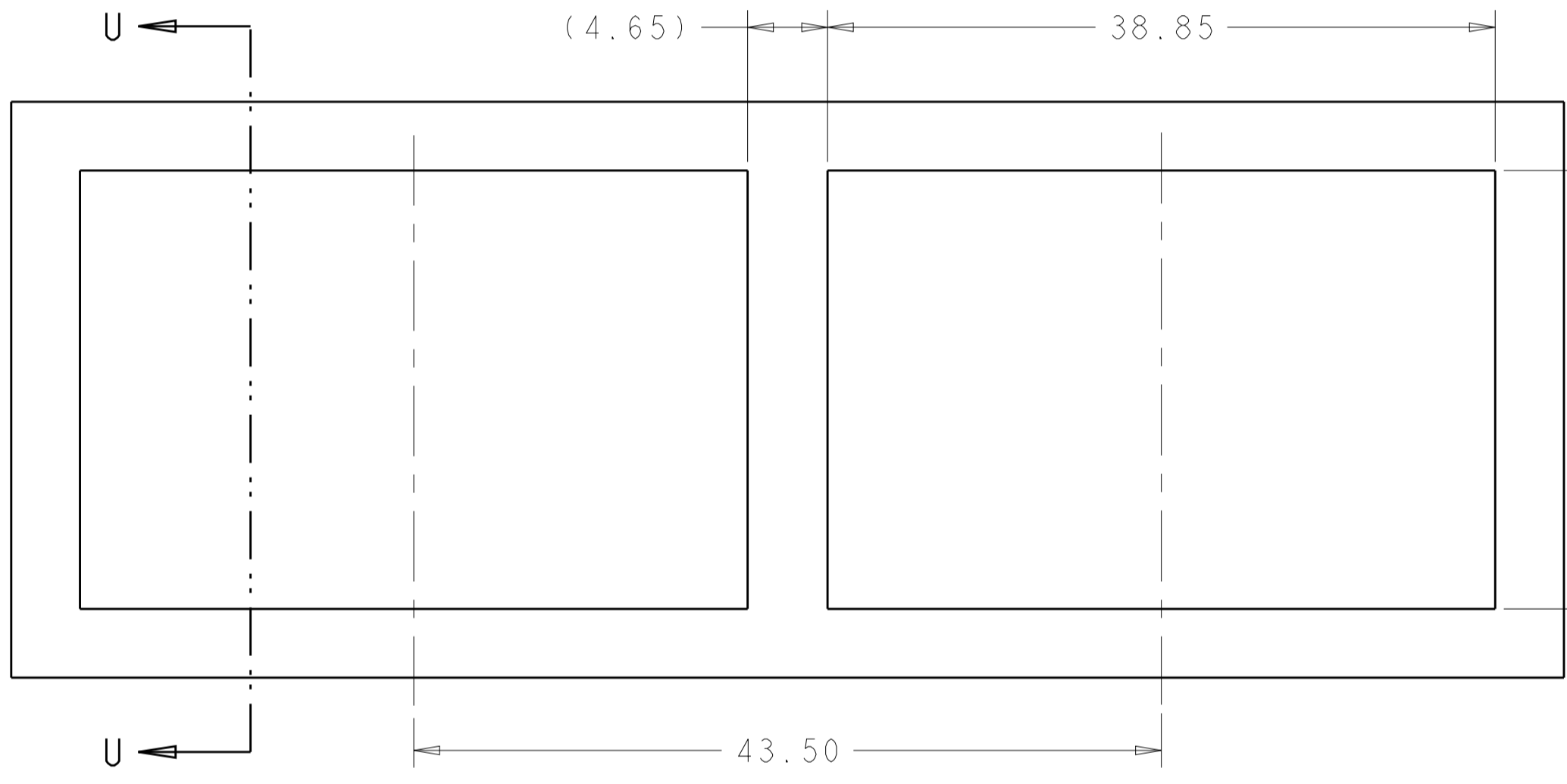
2227225-2 / 2227225-5
 LEFT LIGHTPIPE INDICATOR
 POINTING TO UPPER PORT
 SCALE 3:1



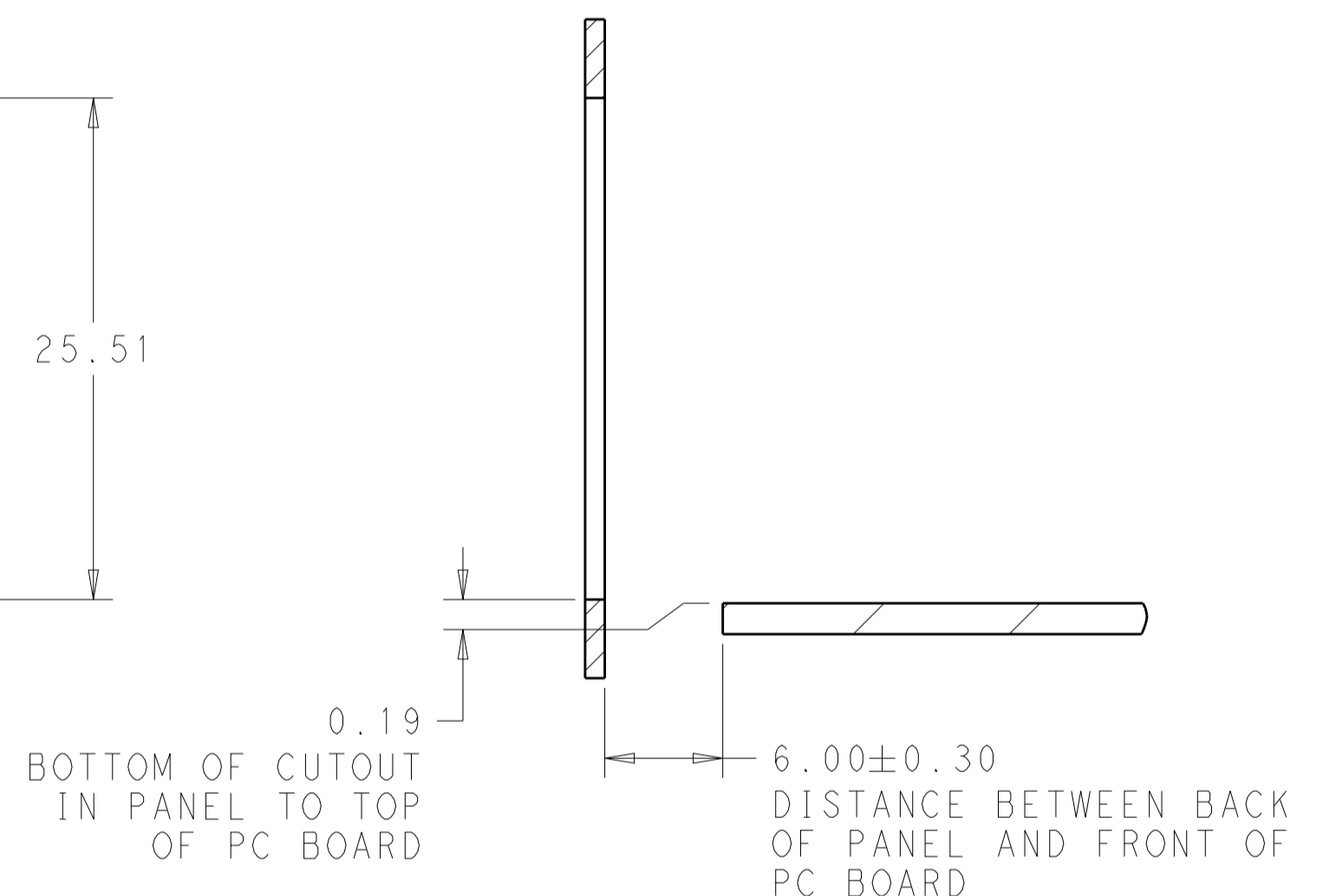
2227225-3 / 2227225-6
 LEFT LIGHTPIPE INDICATOR
 POINTING TO LOWER PORT
 SCALE 3:1



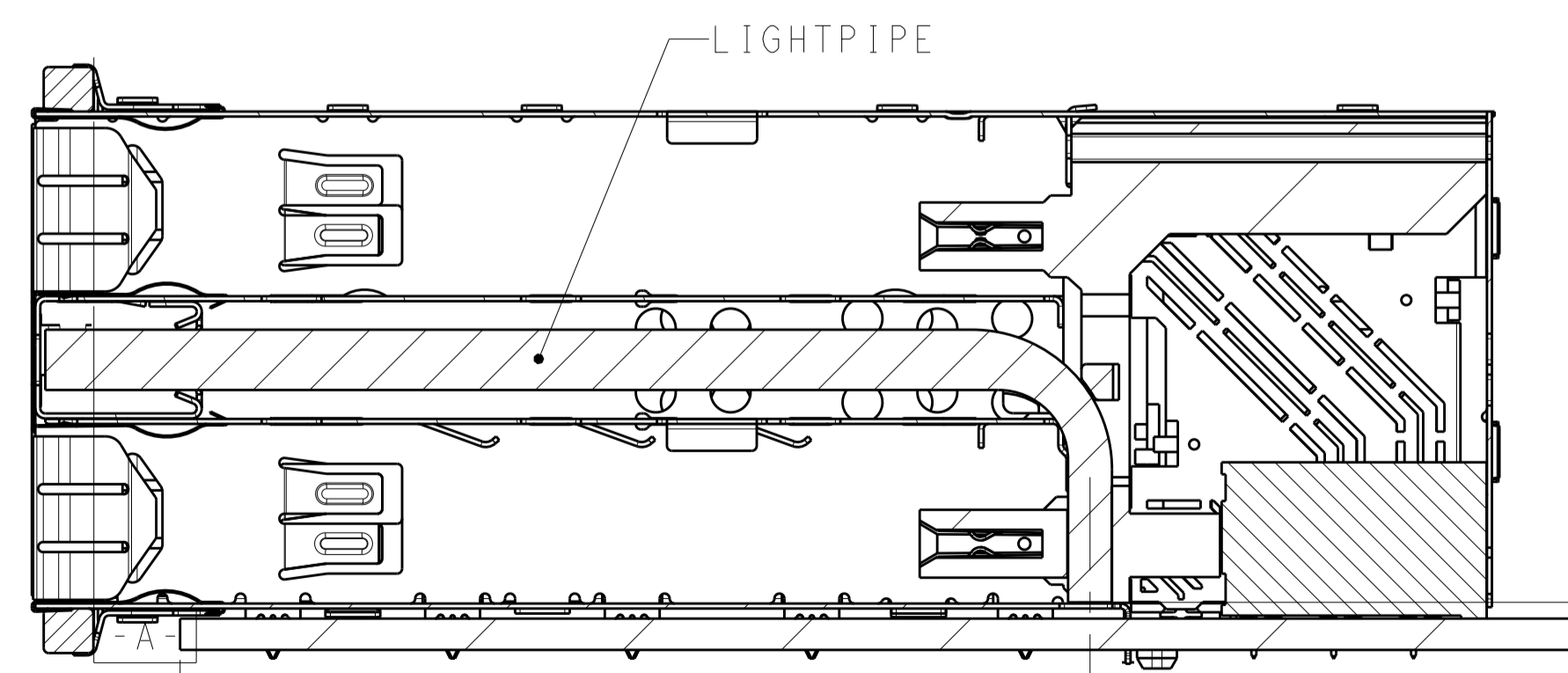
VIEW Y-Y



RECOMMENDED PANEL CUTOUT
 AND PC BOARD, PANEL POSITION
 SCALE 3:1



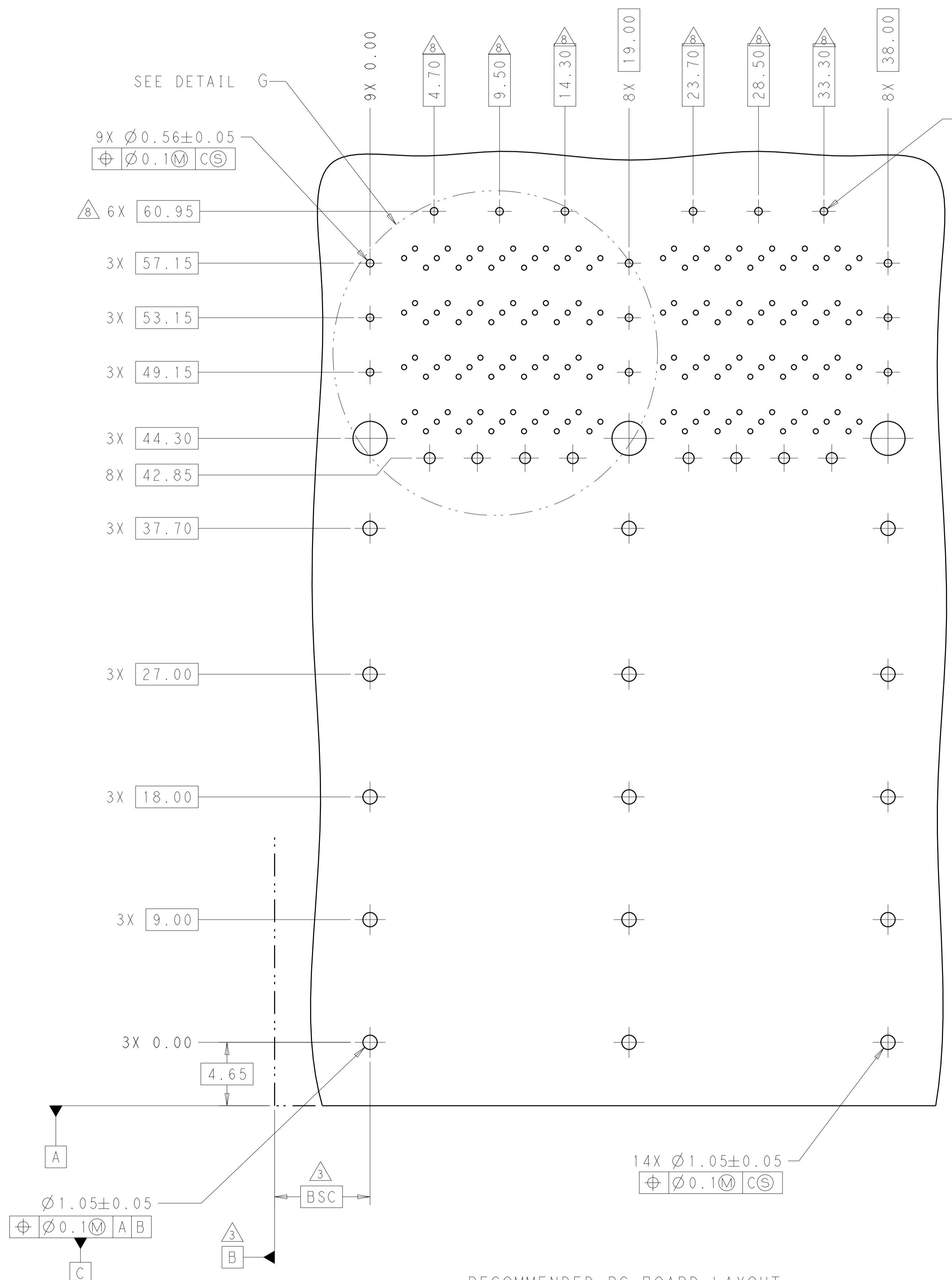
SECTION U-U



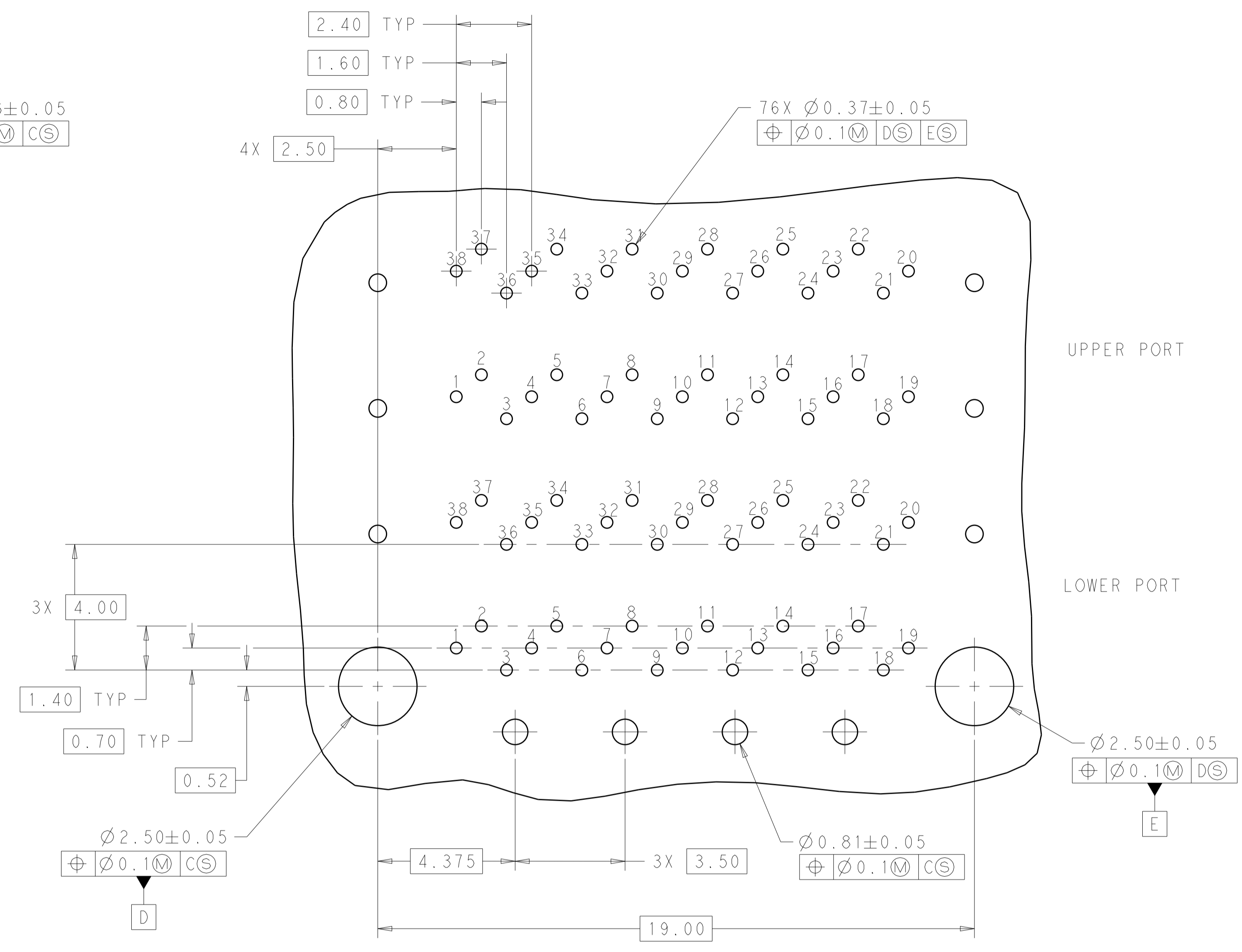
SECTION V-V
 SCALE 3:1

THIS DRAWING IS A CONTROLLED DOCUMENT. DIMENSIONING AND TOLERANCING PER ASME Y14.5M-2009		OWN: M. SHIRK CHK: D. SZCZESNY APVD: -	03AUG2012 03AUG2012	TE Connectivity NAME: CAGE AND CONNECTOR ASSEMBLY, WITH EMI GASKET, 2X2, ZQSFP+ STACKED
DIMENSIONS: mm	TOLERANCES UNLESS OTHERWISE SPECIFIED:	PRODUCT SPEC: 108-60102	APPLICATION SPEC: 114-60015	
MATERIAL: SEE NOTE 1	FINISH: SEE NOTE 2	WEIGHT: -	SIZE: A100779	SCALE: 4:1
CUSTOMER DRAWING		DRAWING NO: 2227225		SHEET 2 OF 4 REV A

LOC	DIST	REV	DATE	BY	APPV
		1			
		2			
		3			
		4			



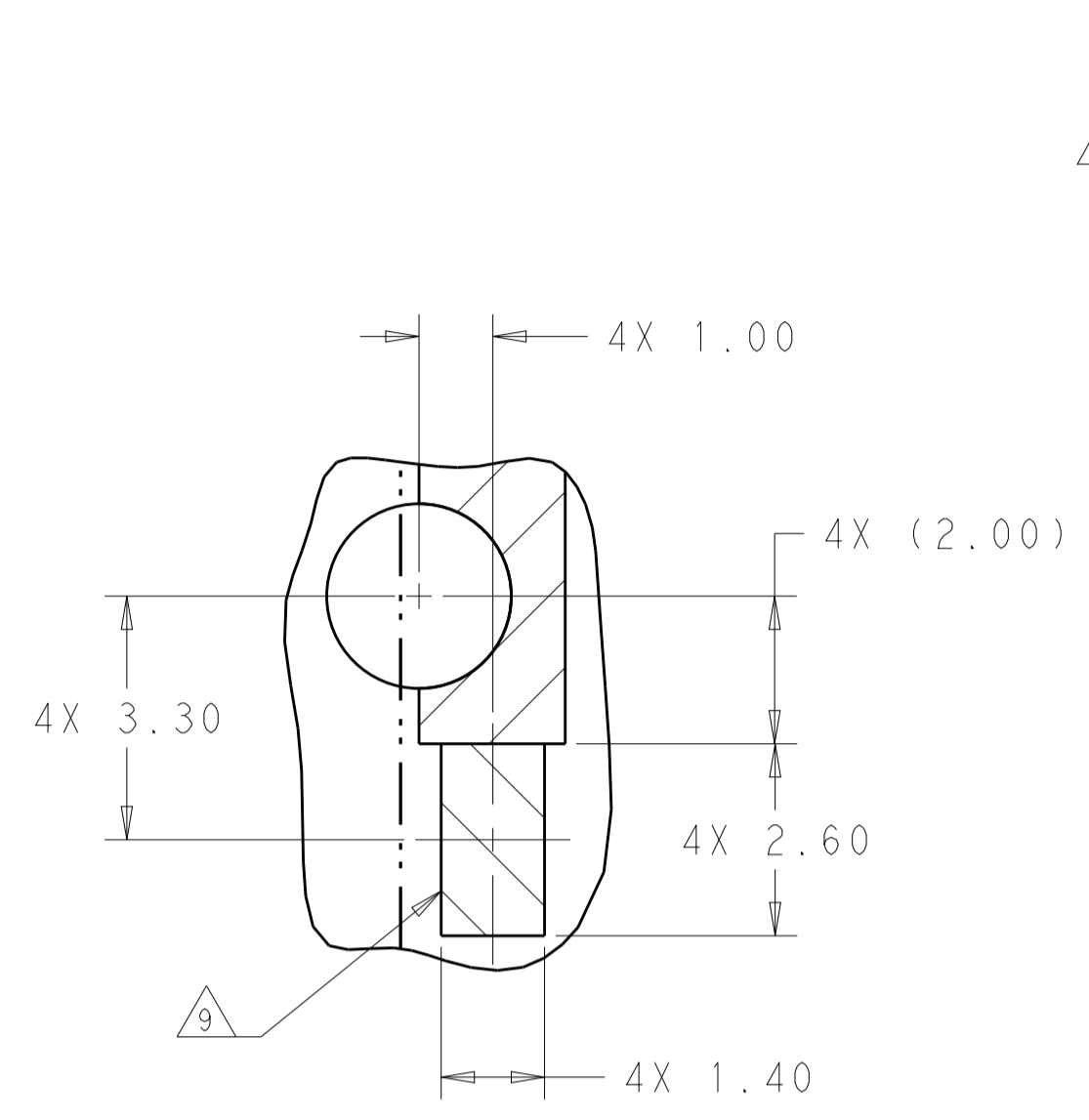
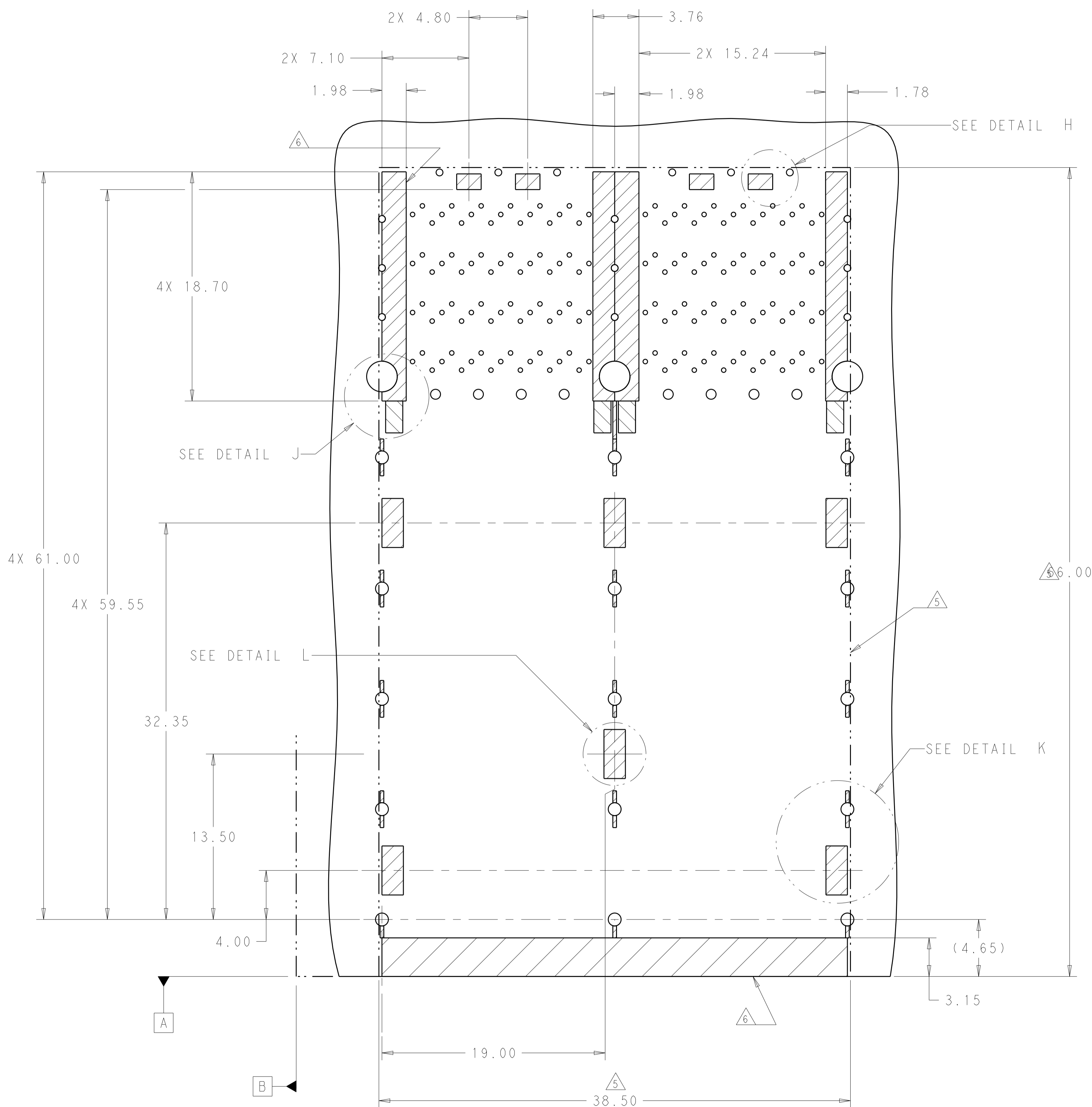
RECOMMENDED PC BOARD LAYOUT
 COMPONENT SIDE OF BOARD
 (PCB TOLERANCE ±0.05)
 SCALE 5:1



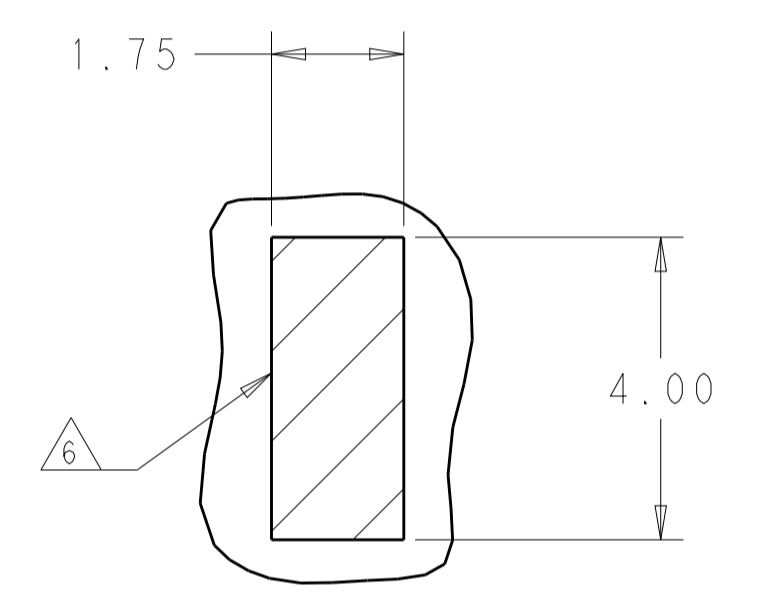
DETAIL G
 2X INDIVIDUALLY
 SCALE 10:1

THIS DRAWING IS A CONTROLLED DOCUMENT. DIMENSIONING AND TOLERANCING PER ASME Y14.5M-2009.		DWN: M. SHIRK CHK: D. SZCZESNY	03AUG2012 03AUG2012	TE Connectivity NAME: CAGE AND CONNECTOR ASSEMBLY, WITH EMI GASKET, 2X2, ZQSFP+ STACKED SIZE: 114-60015 CAGE CODE: A100779 DRAWING NO: C=2227225	RESTRICTED TO
DIMENSIONS:	TOLERANCES UNLESS OTHERWISE SPECIFIED:	APVD:	PRODUCT SPEC:		SCALE: 4:1
mm	0 PLC ±0.25 2 PLC ±0.15 3 PLC ±0.15 4 PLC ±0.15 ANGLES ±0.15		APPLICATION SPEC:	REV: A	
MATERIAL:	FINISH:	WEIGHT:	CUSTOMER DRAWING		
SEE NOTE 1	SEE NOTE 2				

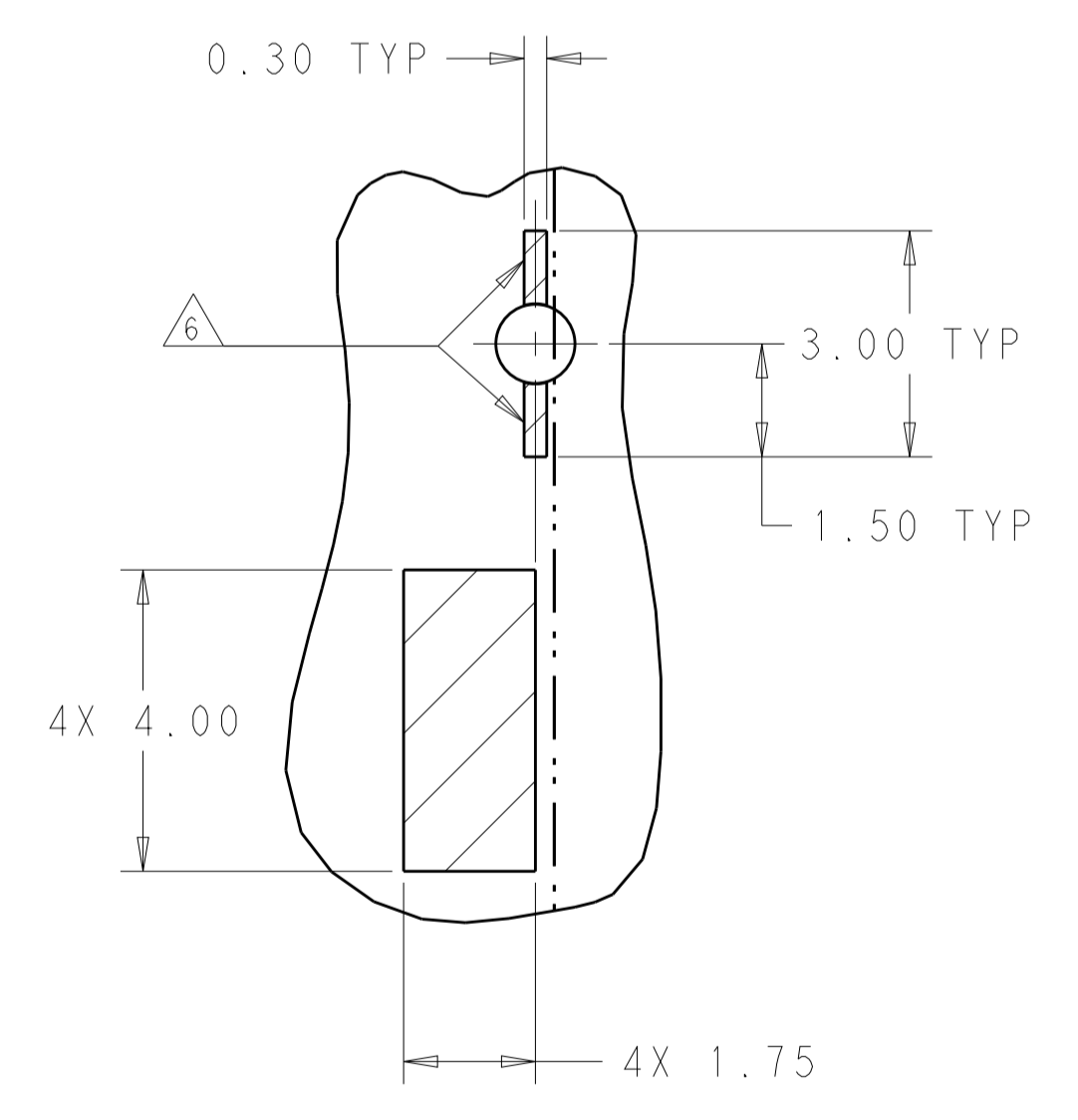
LOC	DIST	REV	DATE	BY	APPV
		1			



DETAIL J
 LED PADS
 SCALE 10:1



DETAIL L
 SCALE 10:1



DETAIL K
 SCALE 10:1

KEEPOUT AREAS
 COMPONENT SIDE OF BOARD
 SCALE 5:1

THIS DRAWING IS A CONTROLLED DOCUMENT. DIMENSIONING AND TOLERANCING PER ASME Y14.5M-2009.		DWN: M. SHIRK CHK: D. SZCZESNY	03AUG2012 03AUG2012	TE Connectivity NAME: CAGE AND CONNECTOR ASSEMBLY, WITH EMI GASKET, 2X2, ZQSFP+ STACKED SIZE: 114-60015 WEIGHT: - CUSTOMER DRAWING
DIMENSIONS: mm	TOLERANCES UNLESS OTHERWISE SPECIFIED:	PRODUCT SPEC: 108-60102	APPLICATION SPEC: 114-60015	
0 PLC ±0.25	1 PLC ±0.15	APVD: -	RESTRICTED TO: -	
2 PLC ±0.15	3 PLC ±0.15	SCALE: 4:1	SHEET: 4 OF 4	
4 PLC ±0.15	ANGLES ±0.5	REV: A		

单击下面可查看定价，库存，交付和生命周期等信息

[>>TE Connectivity\(泰科\)](#)