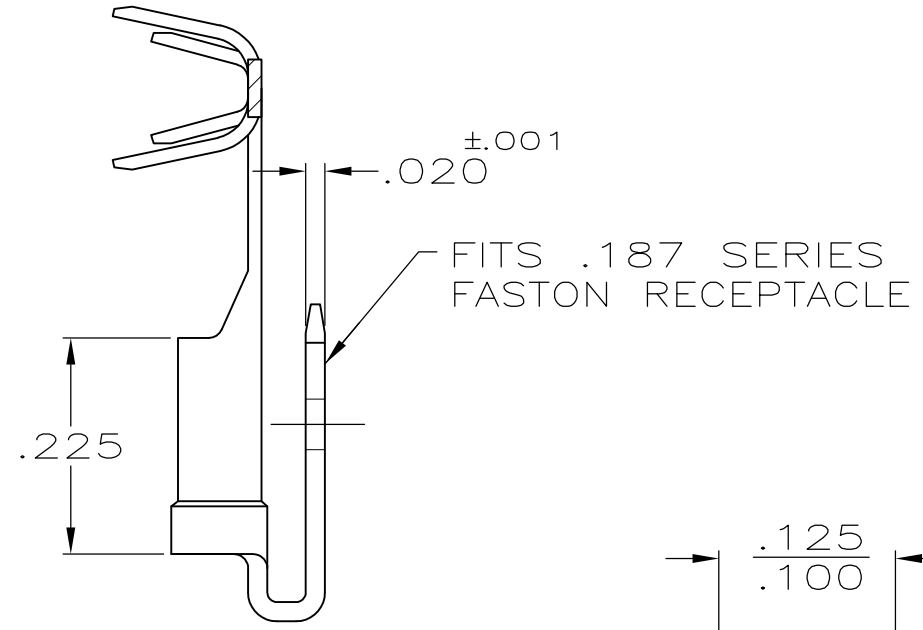
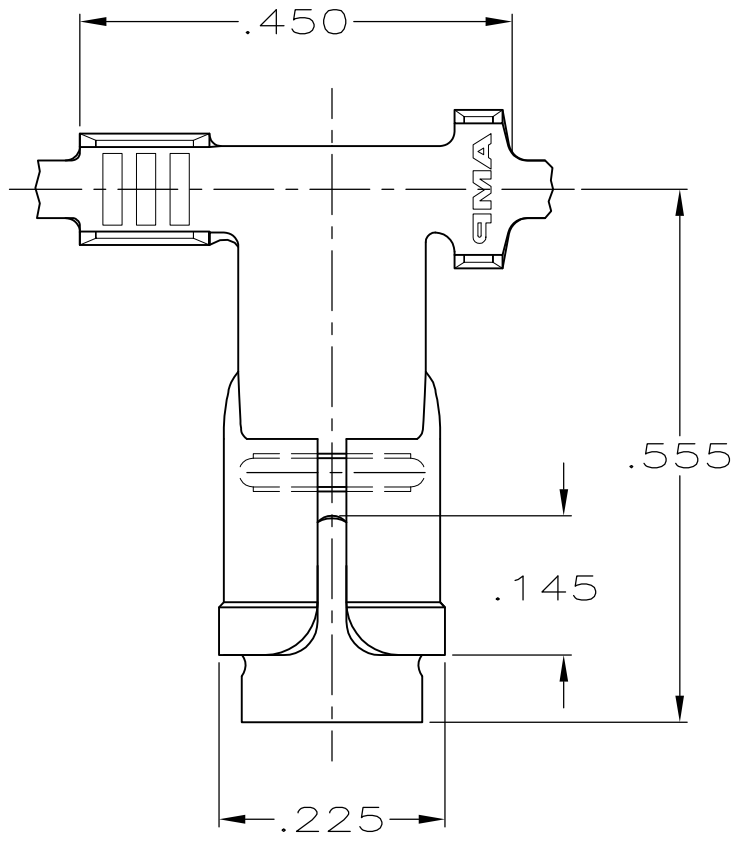
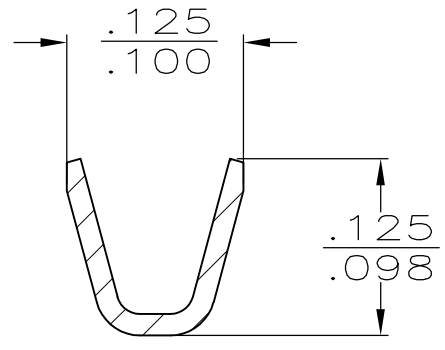


THIS DRAWING IS UNPUBLISHED. RELEASED FOR PUBLICATION
 © COPYRIGHT - By - ALL RIGHTS RESERVED.

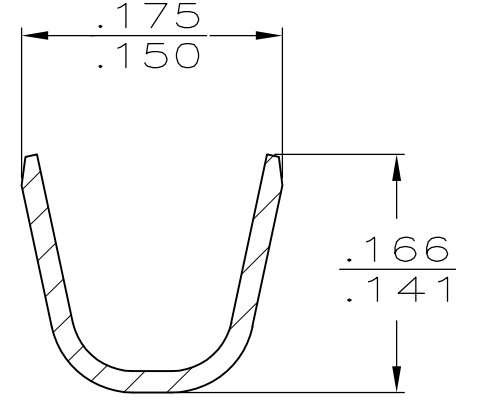
LOC	DIST	REVISIONS			
P	LTR	DESCRIPTION	DATE	DWN	APVD
AF	50	L	REVISED PER ECR-12-013459	29NOV2012	KH PD



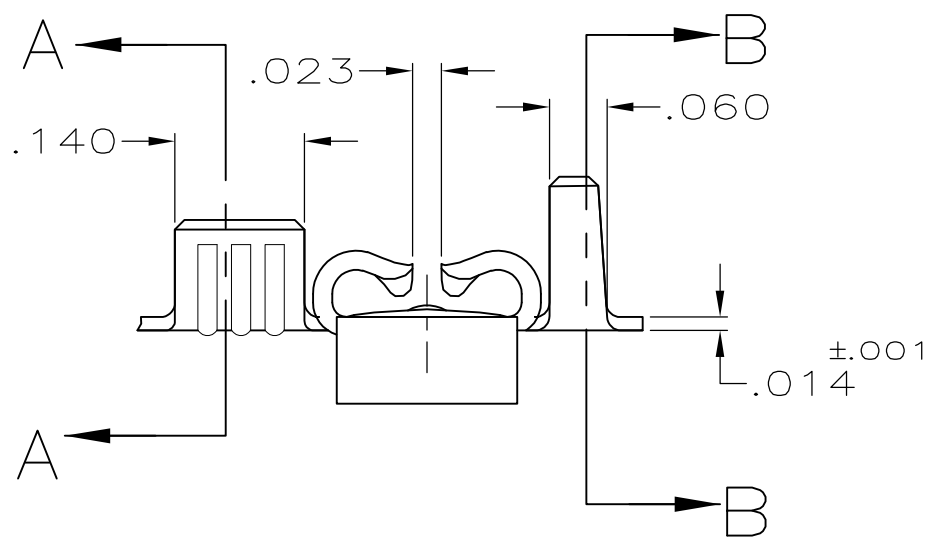
- 1 REVERSE REELED.
- 2 CONTINUOUS STRIP ON REELS



SECTION A-A
SCALE 10:1



SECTION B-B
SCALE 10:1



.090-.130	20-16	-	.020	△-61350-4
		-TIN .000080 MIN-		△-61350-3
		-TIN .000080 MIN-		-61350-2
		-		61350-1
INSULATION RANGE	WIRE SIZE	FINISH	MATING TAB THK ±.001	PART NO

THIS DRAWING IS A CONTROLLED DOCUMENT.		DWN JR RUTH 10/18/90	TE Connectivity		
DIMENSIONS: INCHES		CHK MS FEHER 10/18/90			
TOLERANCES UNLESS OTHERWISE SPECIFIED:		APVD C MEYERS 10/18/90	PRODUCT SPEC		
0 PLC ± - 1 PLC ± - 2 PLC ± - 3 PLC ± .015 4 PLC ± - ANGLES ± -		APPLICATION SPEC		RESTRICTED TO	
MATERIAL BRASS		FINISH SEE TABLE		SIZE A3	CAGE CODE 00779
CUSTOMER DRAWING				DRAWING NO C-61350	RESTRICTED TO -
SCALE 5:1			SHEET 1 OF 1		REV L

单击下面可查看定价，库存，交付和生命周期等信息

[>>TE Connectivity\(泰科\)](#)