

THIS DRAWING IS UNPUBLISHED.

RELEASED FOR PUBLICATION

REVISIONS

変更

© COPYRIGHT - TE Connectivity Ltd.

ALL RIGHTS RESERVED.

P	LTR	DESCRIPTION	DATE	DWN	APVD
	B5	REVISED PER ECR-20-006615	08MAY2020	SC	D.Z

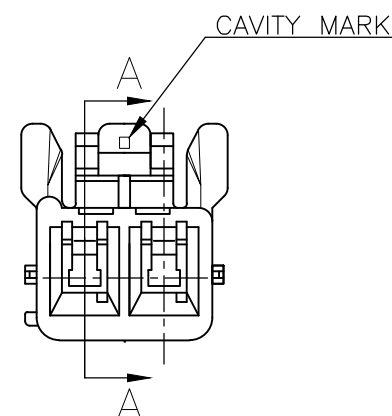
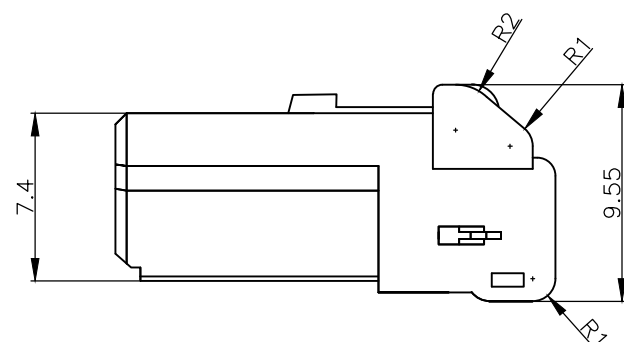
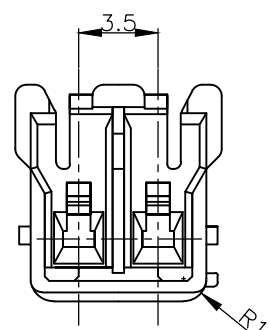
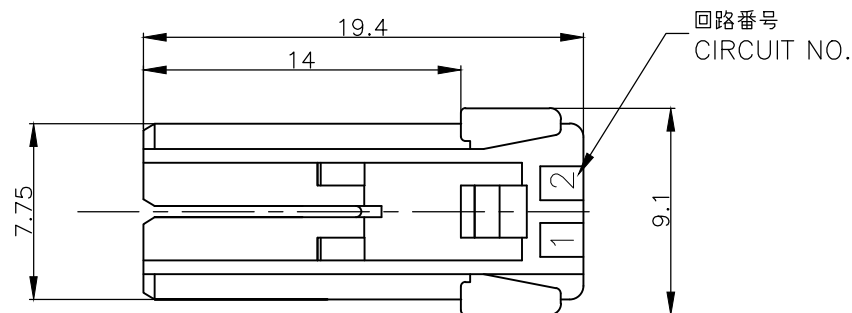
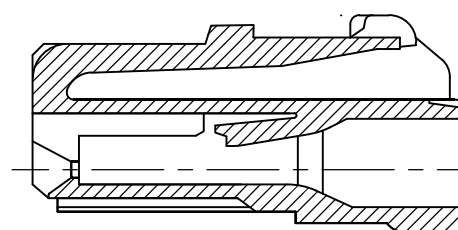
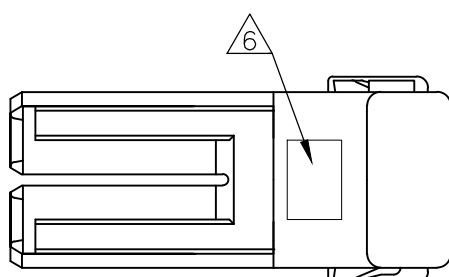
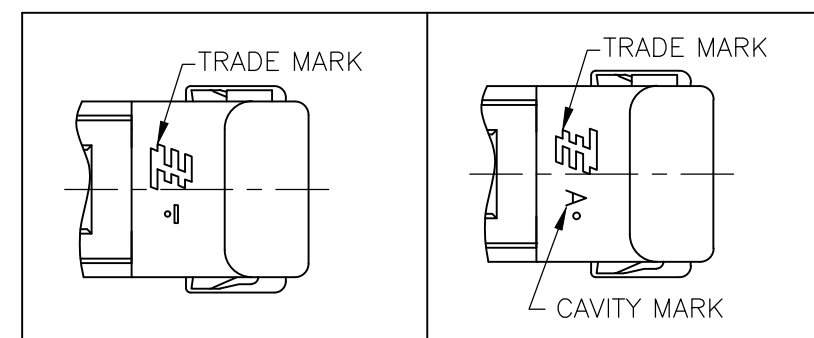


TABLE 1



注) 1.一般公差: ±0.25

2.材料: 66ナイロン ガラス無 (UL94V-0)

3.かん合相手製品型番

キャップハウジング: TABLE参照のこと

リセコンタクト: 1565079-1, 1612334-1

4.適応プレート型番: 1565089-1

5.表1参照

6.表1参照

NOTES)

1.GENERAL TOLERANCE: ±0.25

2.MATERIAL: PA66(UL94V-0)

3.MATING CONN. P/N

CAP HOUSING: SEE TABLE

REC CONTACT: 1565079-1, 1612334-1

4. APPLICABLE PLATE P/N: 1565089-1

5. SEE TABLE 1

6. MATERIAL: PA66(UL94V-0), PARTS COMPLY WITH GLOW WIRE REQUIREMENTS(GWT) PER IEC 60335-1

7. PRELIMINARY P/N

8. MATERIAL: PA66/6(UL94V-0)

THIS DRAWING IS A CONTROLLED DOCUMENT.		DWN A.OISHI 30MAY'02	TE Connectivity Ltd.		
DIMENSIONS: 単位: 耗 mm		CHK M.SHINDO 30MAY'02			
TOLERANCES UNLESS OTHERWISE SPECIFIED: 一般公差		APVD M.SHINDO 30MAY'02	PRODUCT SPEC 製品規格 108-5810	SIZE	CAGE CODE
0 PLC ± 1 PLC ± 2 PLC ± 3 PLC ± 4 PLC ± ANGLES ±		APPLICATION SPEC 取付適用規格 114-5306	DRAWING NO 番号 C-1565081	RESTRICTED TO	
MATERIAL 材料 △△△		FINISH 仕上	WEIGHT	A3	00779
CUSTOMER DRAWING			SCALE 尺度	NONE	SHEET 1 OF 2
			REV B5		

THIS DRAWING IS UNPUBLISHED.

RELEASED FOR PUBLICATION

© COPYRIGHT - TE Connectivity Ltd.

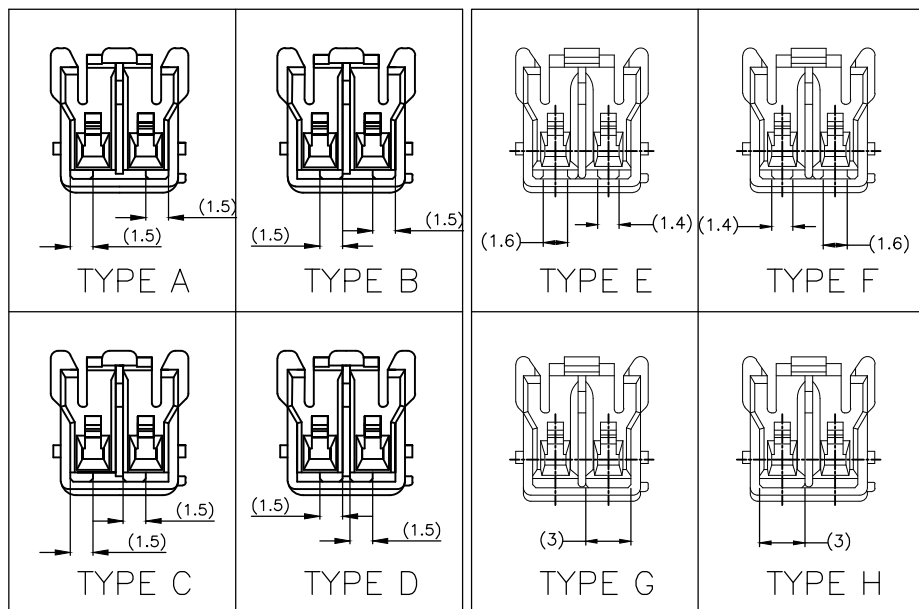
ALL RIGHTS RESERVED.

REVISIONS


変更

P	LTR	DESCRIPTION	DATE	DWN	APVD
-	-	SEE SHEET 1	-	-	-

KEYING TYPE



9	4-1565085-4	H	ORANGE	4-1565081-4
	4-1565085-3	G	VIOLET	4-1565081-3
	4-1565085-2	F	BROWN	4-1565081-2
	4-1565085-1	E	DARK GRAY	4-1565081-1
7	1-1565085-6	A	BLACK	1-1565081-6
	1-1565085-5	A	GREEN	1-1565081-5
	3-1565085-5	D	YELLOW	3-1565081-5
	2-1565085-4	C	BLUE	2-1565081-4
	1-1565085-3	B	RED	1-1565081-3
	1-1565085-1	A	NATURAL	1-1565081-1
2	1565085-6	A	BLACK	1565081-6
	1565085-5	A	GREEN	1565081-5
	3-1565085-4	D	YELLOW	3-1565081-4
	2-1565085-3	C	BLUE	2-1565081-3
	1-1565085-2	B	RED	1-1565081-2
	1565085-1	A	NATURAL	1565081-1
MATERIAL	△ MATING HSG P/N	KEYING TYPE	COLOR	P/N

THIS DRAWING IS A CONTROLLED DOCUMENT.		DWN A.OISHI 30MAY'02	 TE Connectivity Ltd.		
DIMENSIONS: 単位: 耗 mm		CHK M.SHINDO 30MAY'02			
TOLERANCES UNLESS OTHERWISE SPECIFIED: 一般公差		APVD M.SHINDO 30MAY'02	NAME 名称 GRACE INERTIA CONNECTOR 3.5 2POS PLUG HOUSING		
0 PLC ± 1 PLC ± 2 PLC ± 3 PLC ± 4 PLC ± ANGLES ±		PRODUCT SPEC 製品規格 108-5810	RESTRICTED TO 番号		
MATERIAL 材料 SEE TABLE		APPLICATION SPEC 取付適用規格 114-5306	SIZE A3	CAGE CODE 00779	DRAWING NO 番号 C-1565081
		WEIGHT -	SCALE 尺度 NONE		
		CUSTOMER DRAWING		SHEET 2 OF 2	REV B5

单击下面可查看定价，库存，交付和生命周期等信息

[>>TE Connectivity\(泰科\)](#)