

THIS DRAWING IS UNPUBLISHED.

RELEASED FOR PUBLICATION

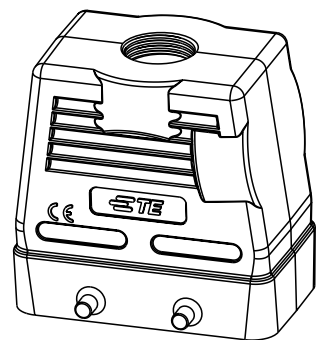
20

© COPYRIGHT 20 BY -

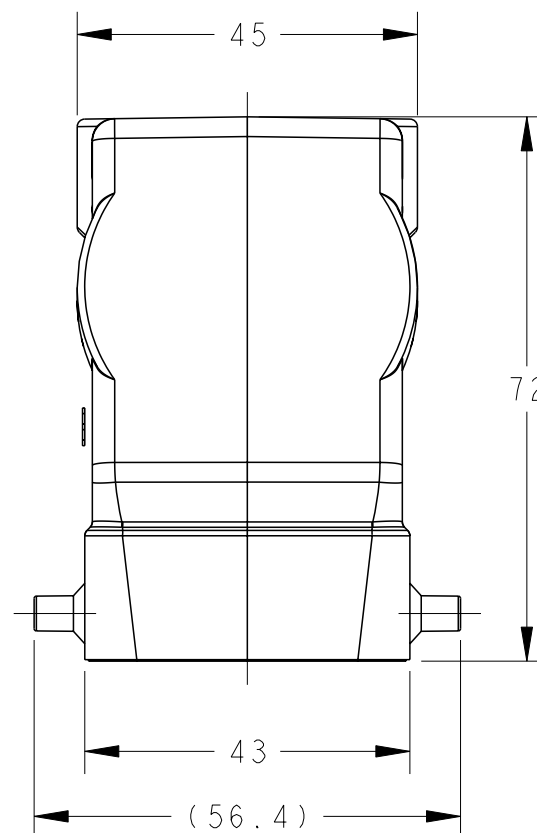
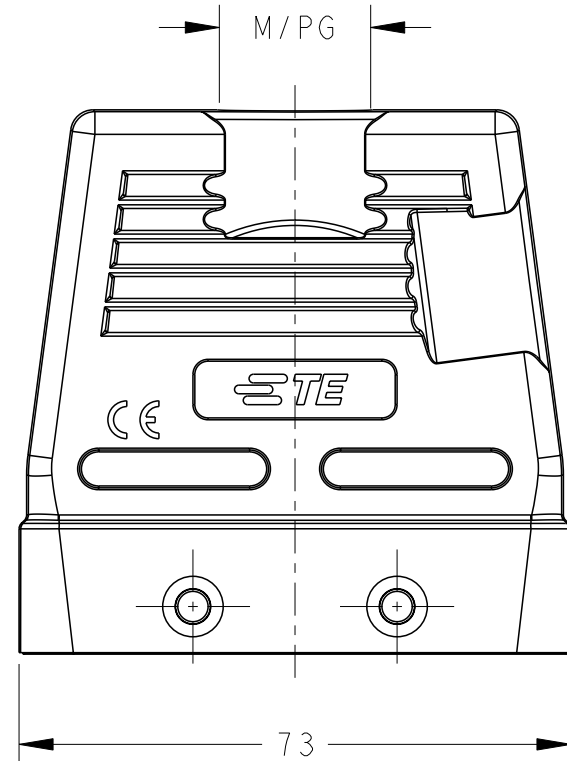
ALL RIGHTS RESERVED.

REVISIONS

P	LTR	DESCRIPTION	DATE	DWN	APVD
	A	INITIAL	11JUN2015	DW	CW
	B	ECR-20-008181	28JUN2020	WQR	CW
	B1	ECR-21-103925	01JUN2021	WQR	CW



SCALE 1:2

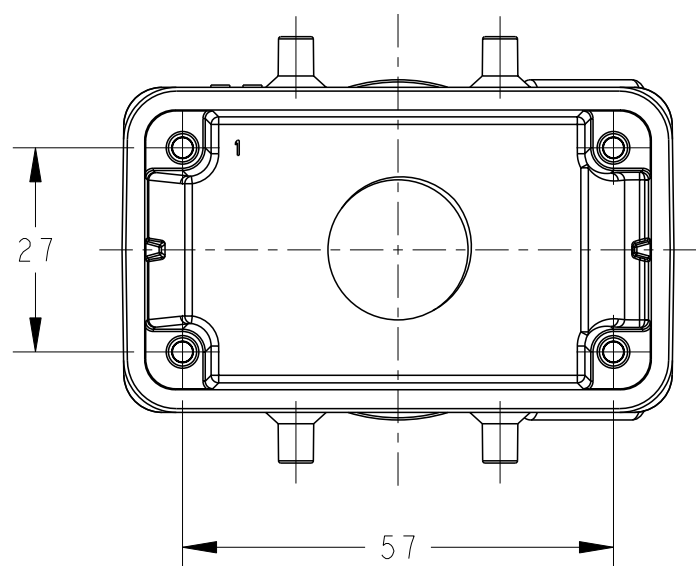


NOTES:

- 1. TECHNICAL CHARACTERISTICS:
HOOD MATERIAL: DIE CAST ALUMINIUM ALLOY
SURFACE: POWDER COATED, GREY
DEGREE OF PROTECTION: IP65 (MATED)

注释:

- 1. 技术参数:
上壳材料: 铝合金
表面处理: 粉末涂层, 灰色
防护等级: IP65(配合)

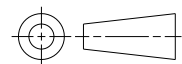


4X M3
THREAD

T1240100116-000	H10B-TGH-PG16	HIGH CONSTRUCTION	PG16
T1240100120-000	H10B-TGH-M20		M20
T1240100121-000	H10B-TGH-PG21		PG21
T1240100125-000	H10B-TGH-M25		M25
T1240100129-000	H10B-TGH-PG29		PG29
T1240100130-000	H10B-TGH-M30		M30
T1240100132-000	H10B-TGH-M32		M32
T1240100140-000	H10B-TGH-M40		M40
PART NUMBER	DESCRIPTION	TYPE	THREAD M/PG

THIS DRAWING IS A CONTROLLED DOCUMENT.

DIMENSIONS:
mm



TOLERANCES UNLESS
OTHERWISE SPECIFIED:

0 PLC	±-
1 PLC	±-
2 PLC	±-
3 PLC	±-
4 PLC	±-
ANGLES	±-
FINISH	-

MATERIAL
-

DWN 11JUN2015
David Wang
CHK 11JUN2015
Chris Wang
APVD 11JUN2015
Xiang Xu

PRODUCT SPEC
108-137013
APPLICATION SPEC
114-137013
WEIGHT
-

STE TE Connectivity

NAME
H10B-TGH-M/PG

SIZE	CAGE CODE	DRAWING NO	RESTRICTED TO
A3	00779	©-T12401001XX000	-

Customer Drawing SCALE 1:1 SHEET 1 OF 1 REV B1

printed on 17 Jun 2021 10:20 (China Standard Time) from TE343646

A

A

D

D

C

B

单击下面可查看定价，库存，交付和生命周期等信息

[>>TE Connectivity\(泰科\)](#)