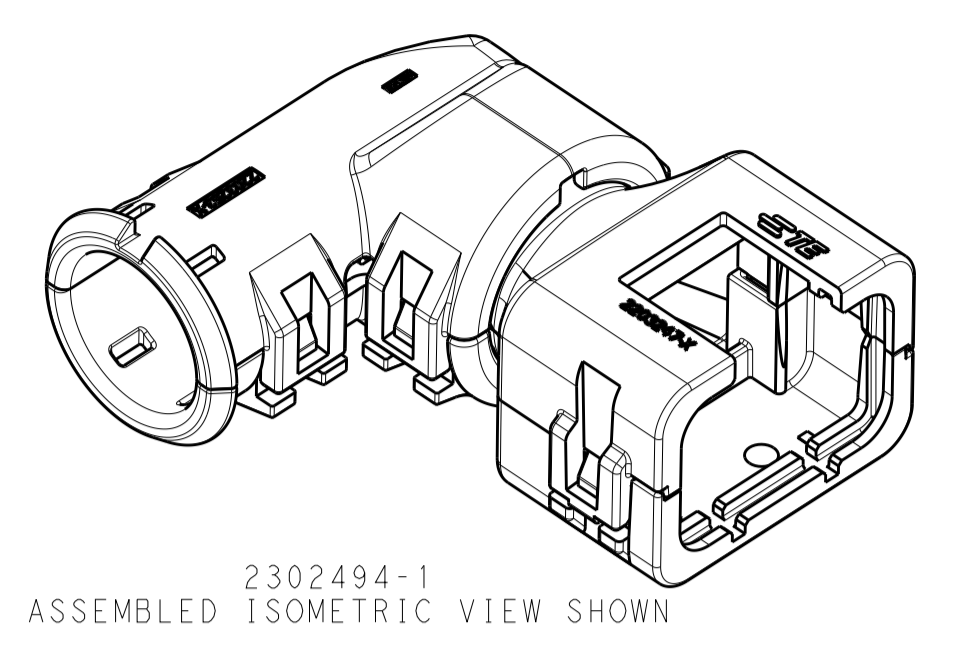
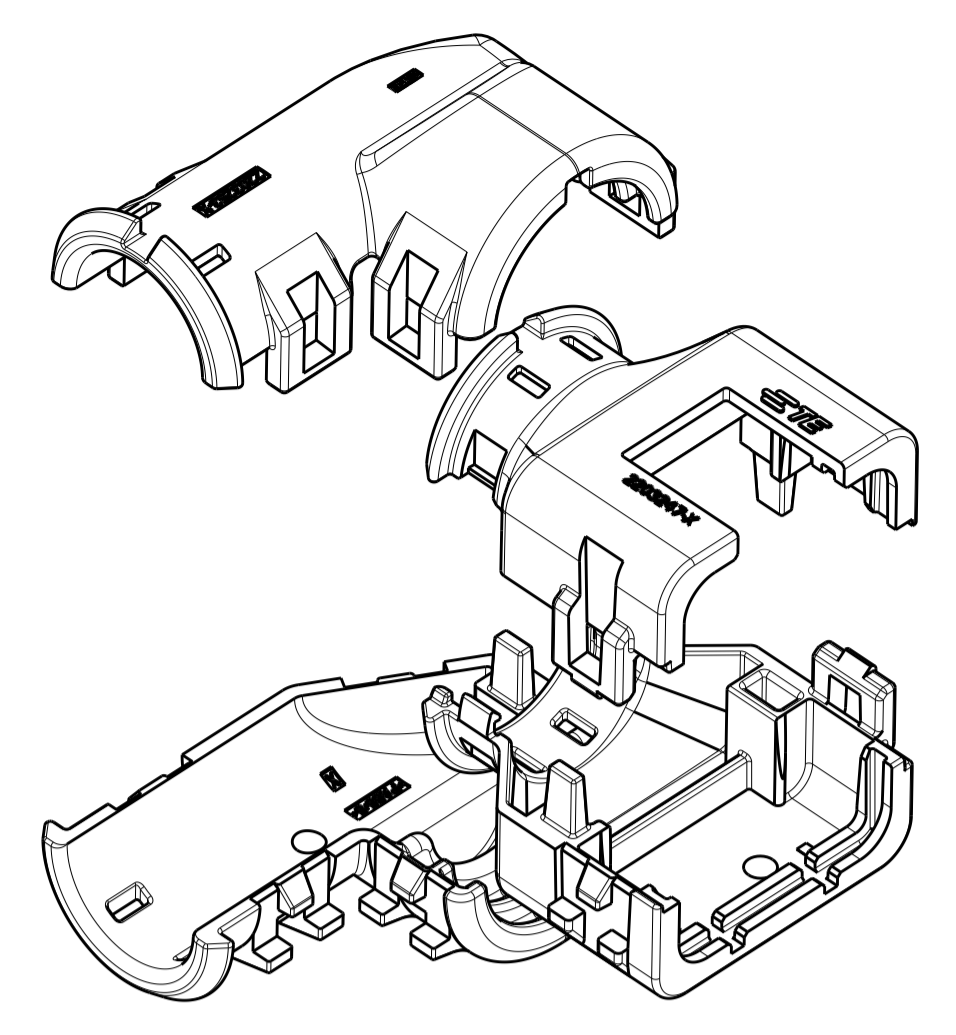


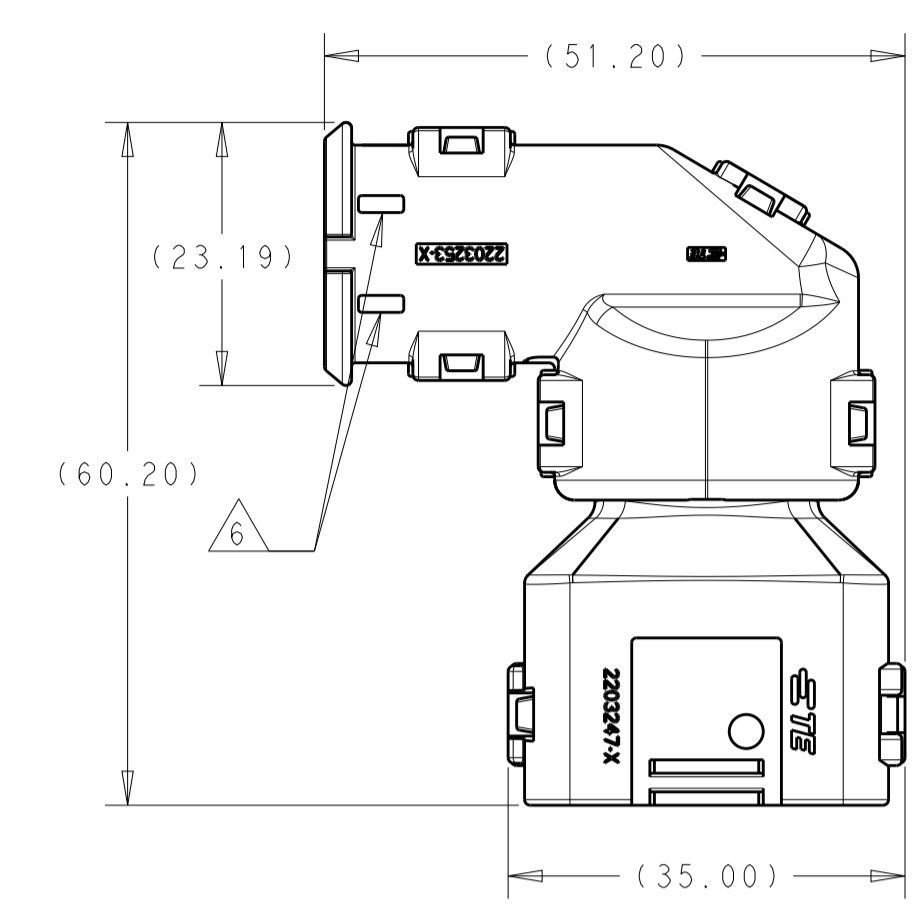
REVISIONS				
P.	LTN.	DESCRIPTION	DATE	APVD.
A		RELEASED PER ECO-16-008203	01JUN2016	JM RB
A2		REV PER ECO-16-013256	08SEP2016	JM RB



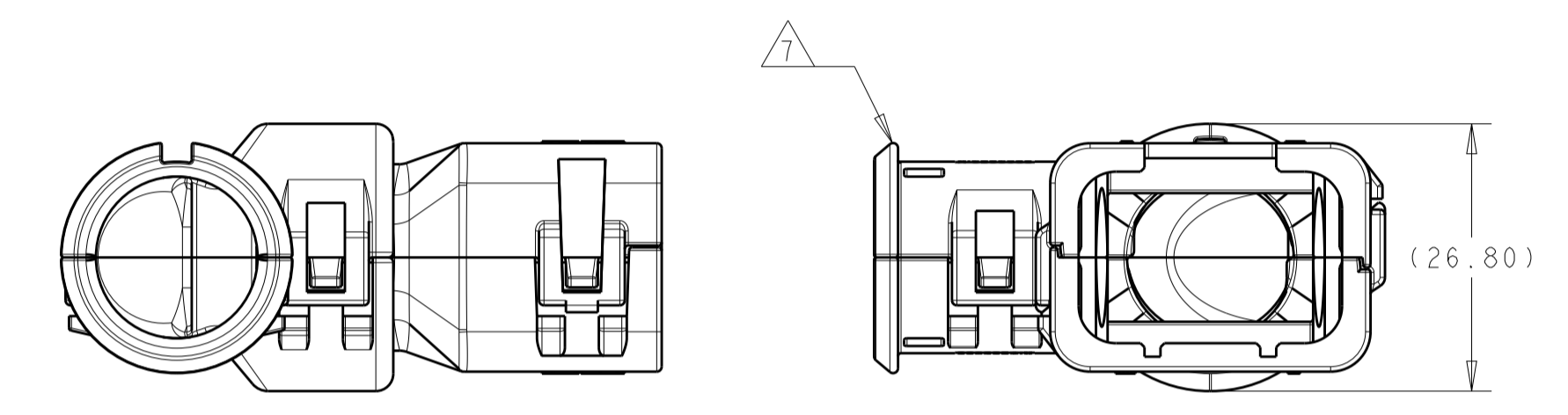
2302494-1
ASSEMBLED ISOMETRIC VIEW SHOWN



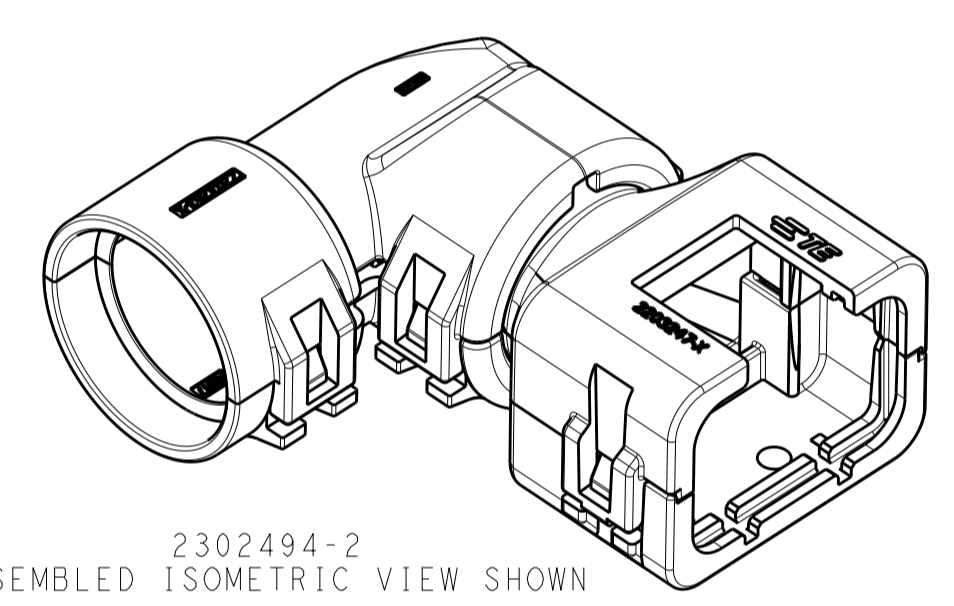
2302494-1
EXPLODED ISOMETRIC VIEW SHOWN
2 3



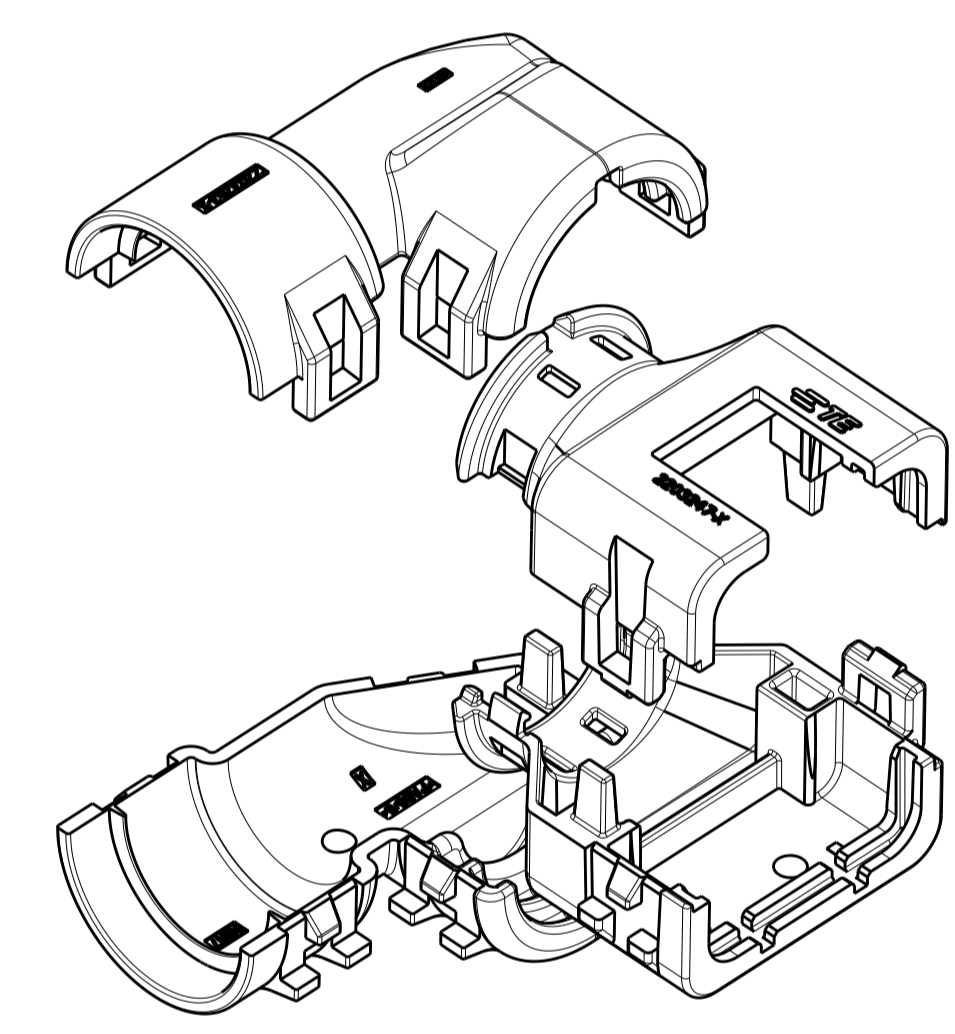
- 1 MATERIAL: NYLON MOLDING COMPOUND, BLACK, PA66/6.
- 2 BACKSHELL DESIGNED SUCH THAT TWO HALVES ATTACH TO ONE ANOTHER AND CLAMP AROUND THE CONNECTOR COVER.
- 3 ELBOW DESIGNED SUCH THAT TWO HALVES ATTACH TO ONE ANOTHER AND CLAMP AROUND THE BACKSHELL COLLAR.
- 4 DIMENSIONS TO BE MEASURED WHEN ELBOWS AND BACKSHELLS ASSEMBLED.
- 5 PRODUCT WEIGHTS:
2302494-1: 13.80g ASSEMBLED
2302494-2: 14.25g ASSEMBLED
2302494-3: 14.00g ASSEMBLED
- 6 4MM WIDE SLOTS FOR TIE WRAP TO SECURE HARNESS WIRES (-1 ONLY).
- 7 HEAT SHRINK TUBING FEATURE (-1 AND -3 ONLY).
- 8. INSTRUCTION SHEET: 408-151043.
- 9. CONDUIT PROFILE: NORMAL ONLY.



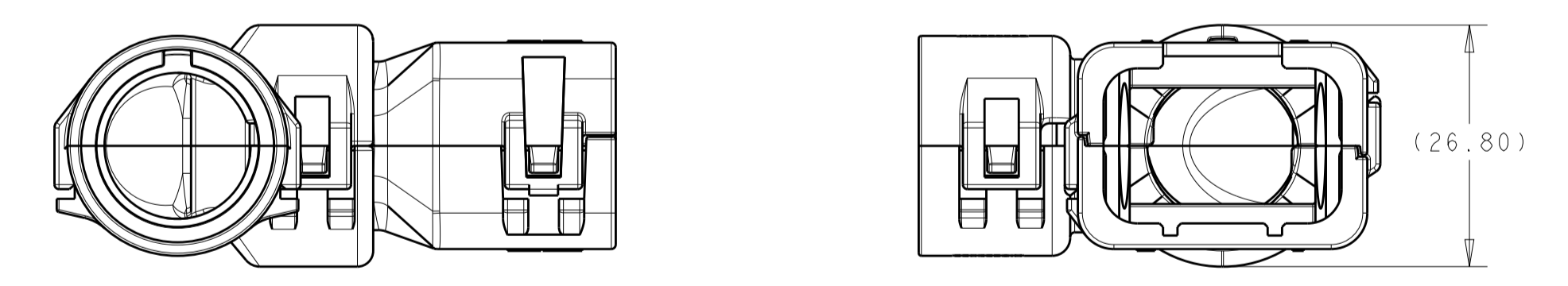
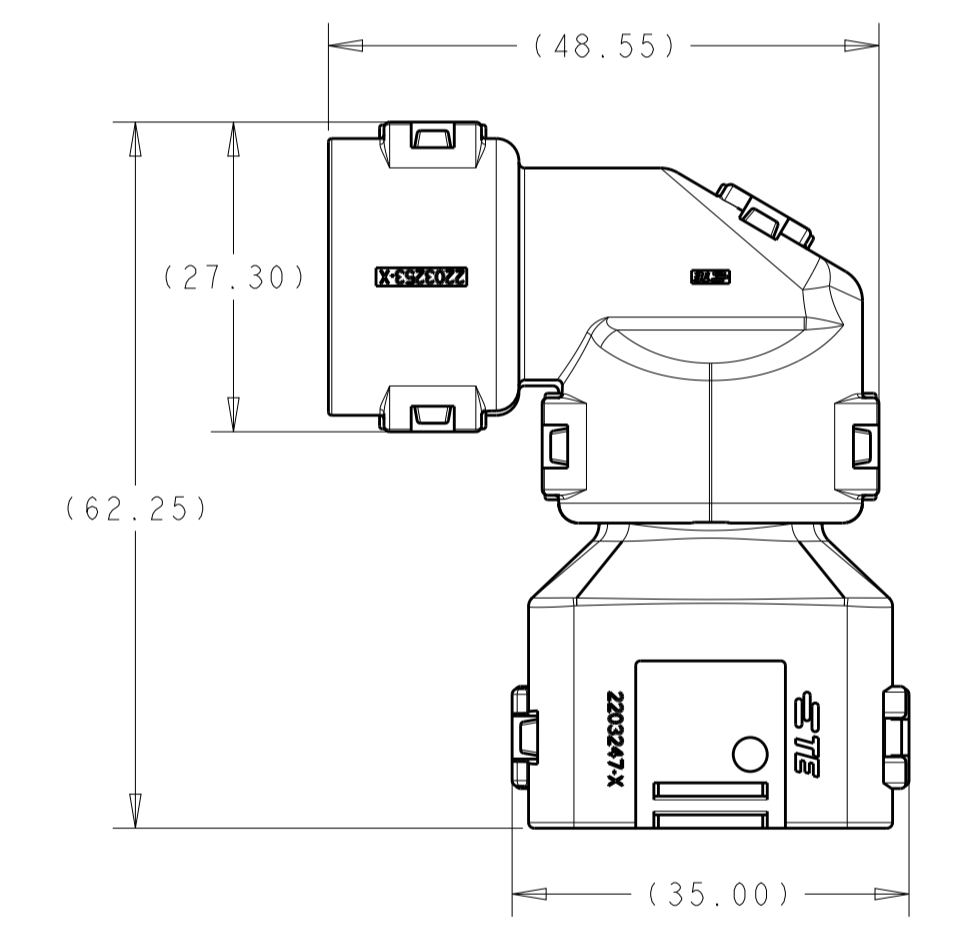
2302494-1
ASSEMBLED VIEW SHOWN
DIMENSIONS SHOWN TYPICAL FOR 2302494-1 AND -3
4



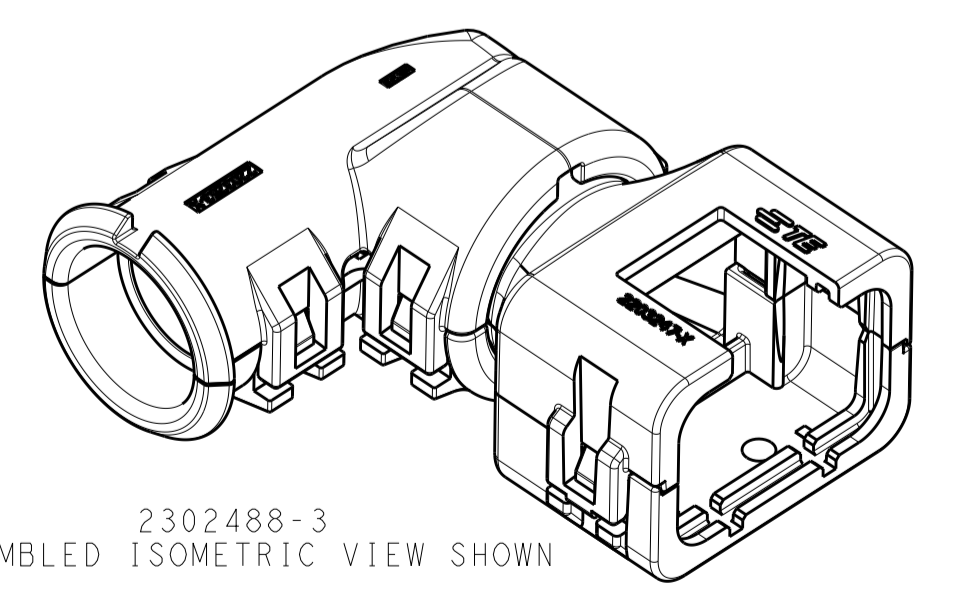
2302494-2
ASSEMBLED ISOMETRIC VIEW SHOWN



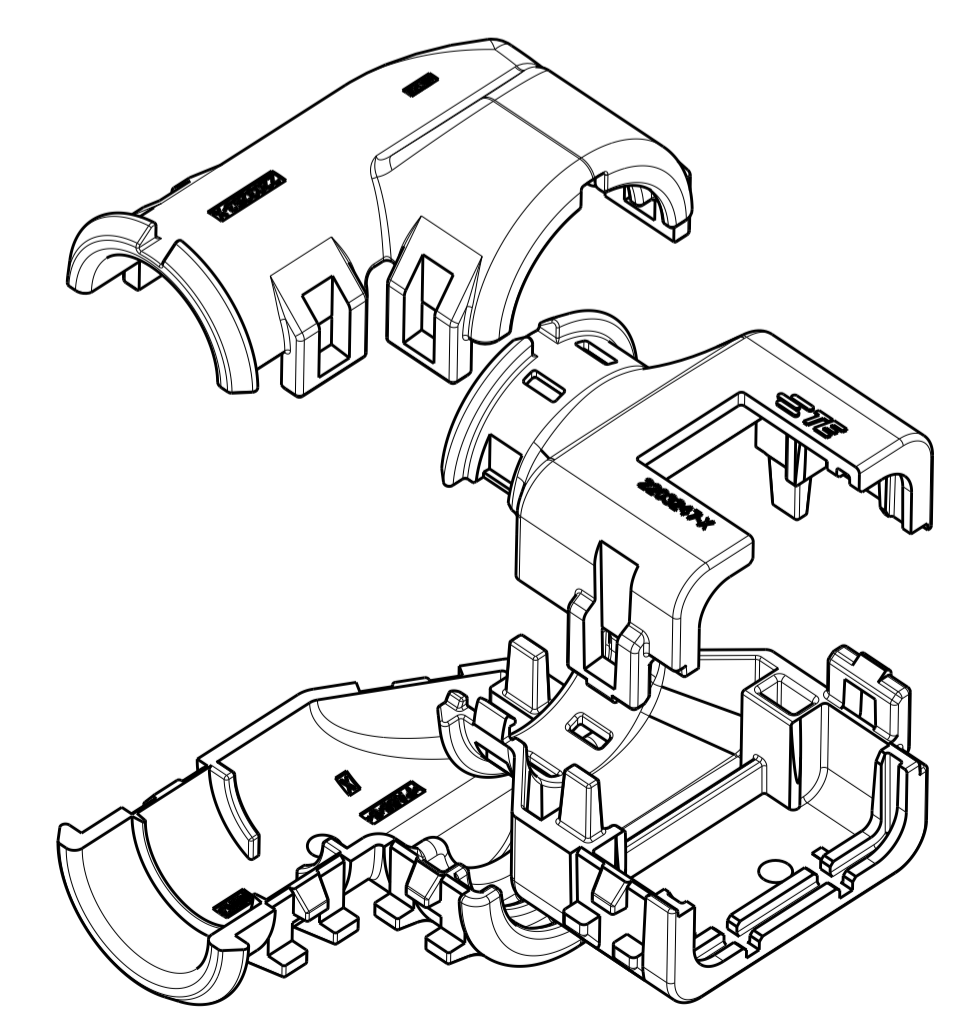
2302494-2
EXPLODED ISOMETRIC VIEW SHOWN
2 3



2302494-2
ASSEMBLED VIEW SHOWN
DIMENSIONS SHOWN FOR 2302494-2 ONLY
4



2302488-3
ASSEMBLED ISOMETRIC VIEW SHOWN



2302494-3
EXPLODED ISOMETRIC VIEW SHOWN
2 3

776494-X	NC16	NW13	2302494-3
776532-X	NC20	NW17	2302494-2
	SMOOTH	SMOOTH	2302494-1
FITS ON PLUG ASSY	CORREGATE NC	CORREGATE NW	PART NUMBER
	CONDUIT SIZE		

THIS DRAWING IS A CONTROLLED DOCUMENT.		DWN: J MCNEAL 13APR2016	TE Connectivity	
DIMENSIONS: mm [INCHES]		CHK: R BALTER 13APR2016		
TOLERANCES UNLESS OTHERWISE SPECIFIED:		APVD: R BALTER 13APR2016		
0 PLC	±	NAME	BACKSHELL AND ELBOW KIT, 8 POSN PLUG ASSY, AMPSEAL 16	
1 PLC	±	PRODUCT SPEC	-	
2 PLC	±	APPLICATION SPEC	-	
3 PLC	±	SIZE	A100779C=2302494	
4 PLC	±	WEIGHT	-	
ANGLES	±	CUSTOMER DRAWING	SCALE 3:2 SHEET 1 OF 1 REV A2	
FINISH	-			

单击下面可查看定价，库存，交付和生命周期等信息

[>>TE Connectivity\(泰科\)](#)