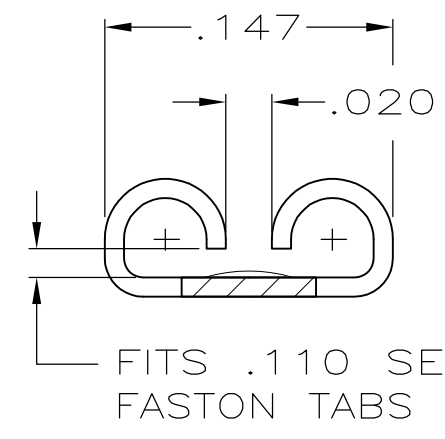
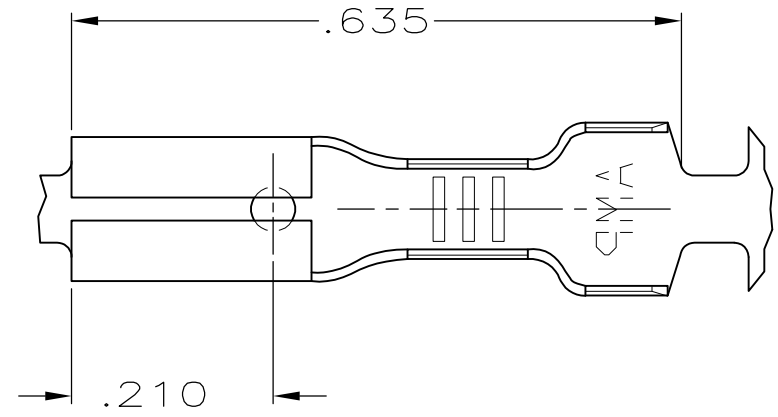


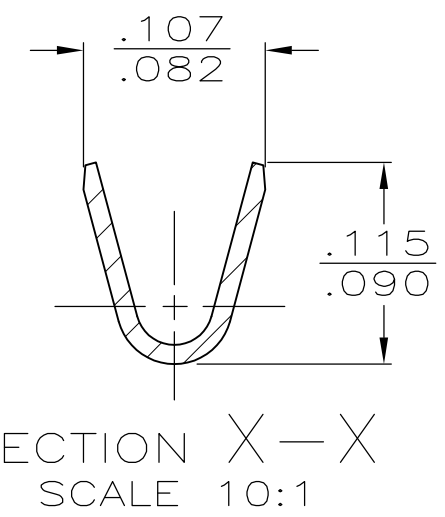
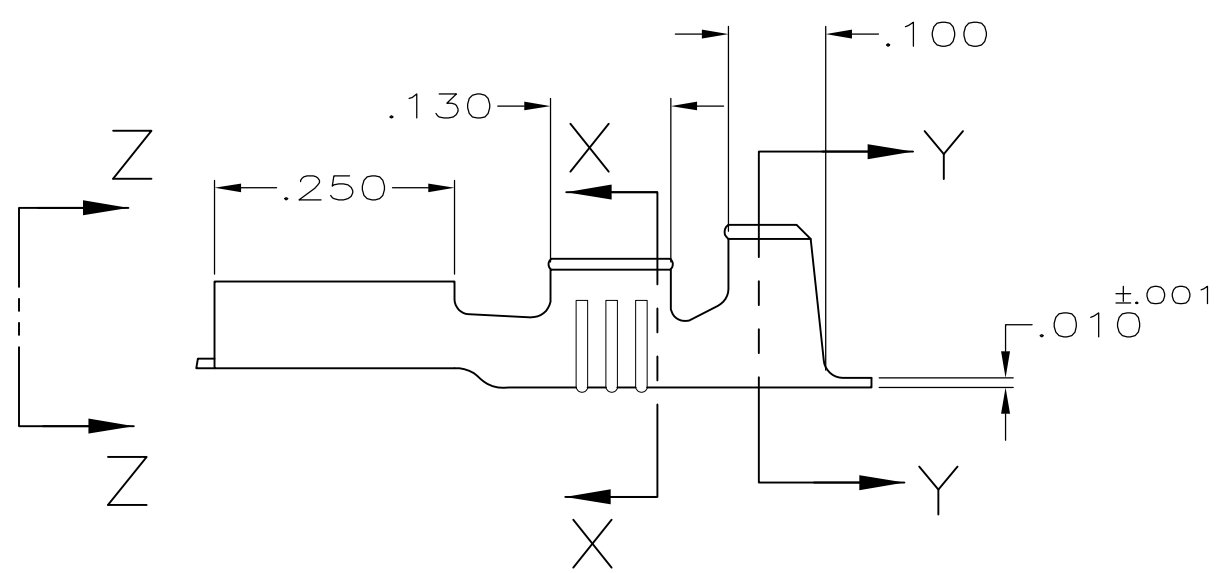
THIS DRAWING IS UNPUBLISHED. RELEASED FOR PUBLICATION
 © COPYRIGHT - By - ALL RIGHTS RESERVED.

LOC	DIST	REVISIONS			
P	LTR	DESCRIPTION	DATE	DWN	APVD
AF	50				
	D	REVISED PER ECR-12-013459	29NOV2012	KH	PD

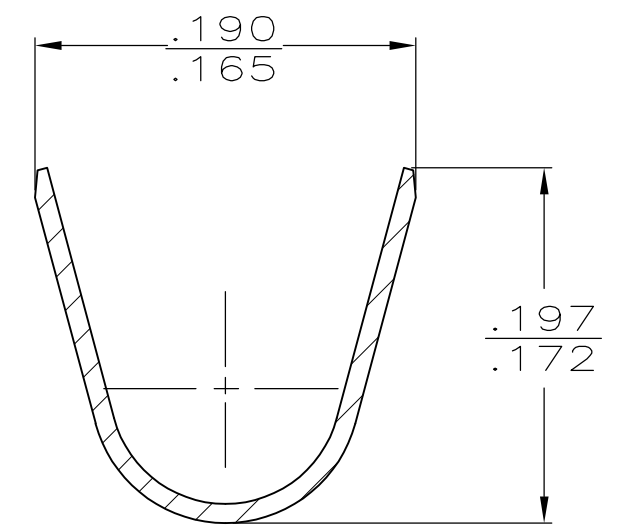


1 CONTINUOUS STRIP ON REELS

FITS .110 SERIES FASTON TABS
 VIEW Z-Z
 SCALE 10:1



SECTION X-X
 SCALE 10:1



SECTION Y-Y
 SCALE 10:1

.120-.140	22-18 AWG	.025	61158-1
INSUL RANGE	WIRE SIZE	MATING TAB THK ±.001	PART NO

THIS DRAWING IS A CONTROLLED DOCUMENT.		DWN JR RUTH 12/20/90	TE Connectivity RECEPTACLE, FASTON, .110 SERIES											
DIMENSIONS: INCHES		CHK MS FEHER 12/20/90												
TOLERANCES UNLESS OTHERWISE SPECIFIED:		APVD C MEYERS 12/21/90												
<table border="0"> <tr><td>0 PLC</td><td>± -</td></tr> <tr><td>1 PLC</td><td>± -</td></tr> <tr><td>2 PLC</td><td>± -</td></tr> <tr><td>3 PLC</td><td>± .015</td></tr> <tr><td>4 PLC</td><td>± -</td></tr> <tr><td>ANGLES</td><td>± -</td></tr> </table>		0 PLC			± -	1 PLC	± -	2 PLC	± -	3 PLC	± .015	4 PLC	± -	ANGLES
0 PLC	± -													
1 PLC	± -													
2 PLC	± -													
3 PLC	± .015													
4 PLC	± -													
ANGLES	± -													
MATERIAL BRASS	FINISH PRE-TIN	APPLICATION SPEC -	SIZE A3	CAGE CODE 00779	DRAWING NO C-61158	RESTRICTED TO -								
CUSTOMER DRAWING			SCALE 5:1	SHEET 1 OF 1	REV D									

单击下面可查看定价，库存，交付和生命周期等信息

[>>TE Connectivity\(泰科\)](#)