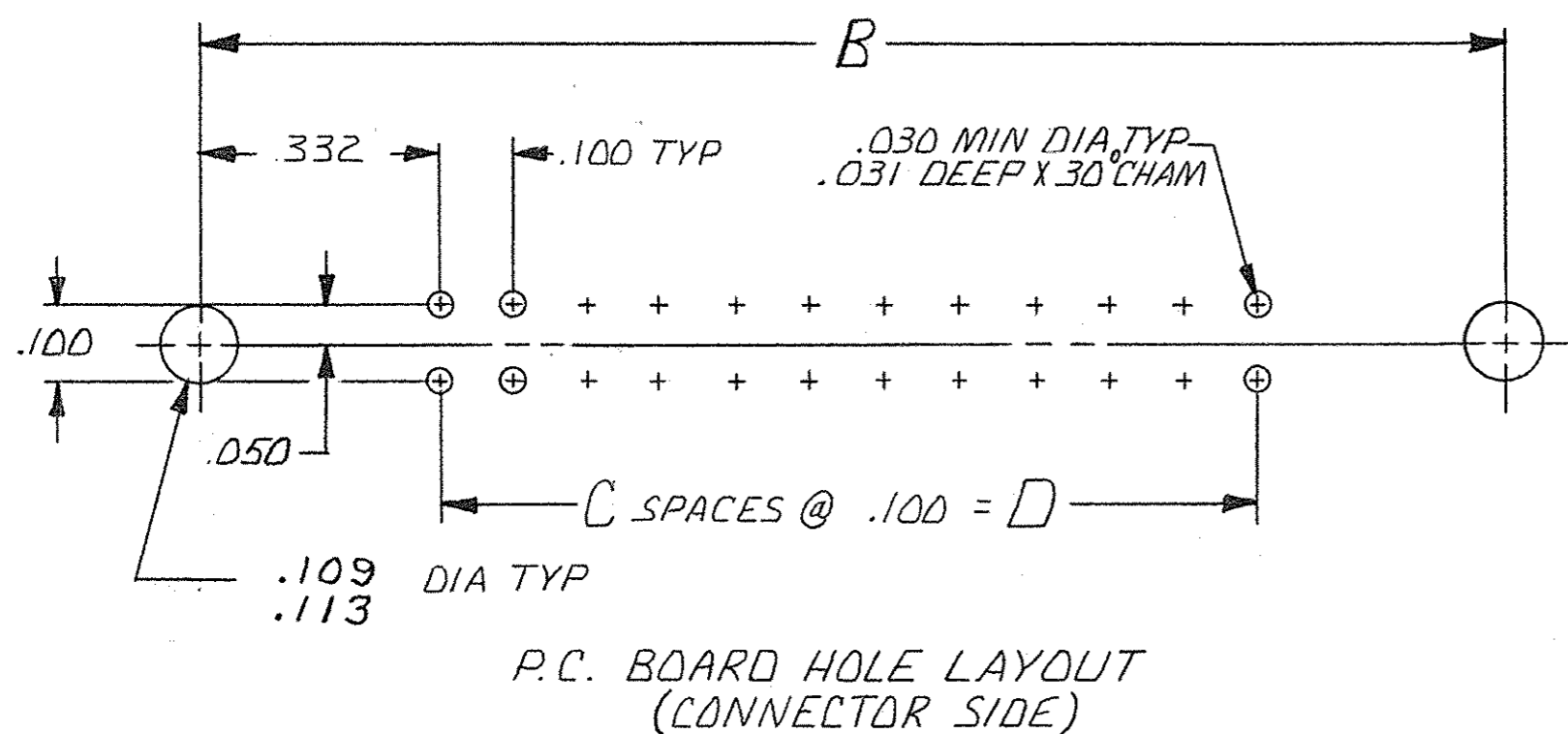
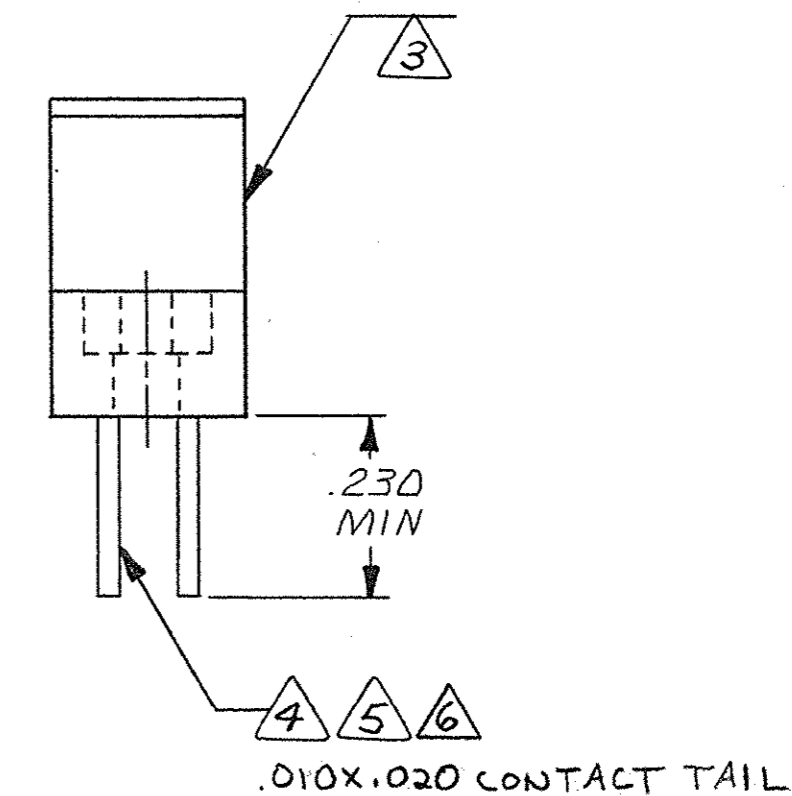
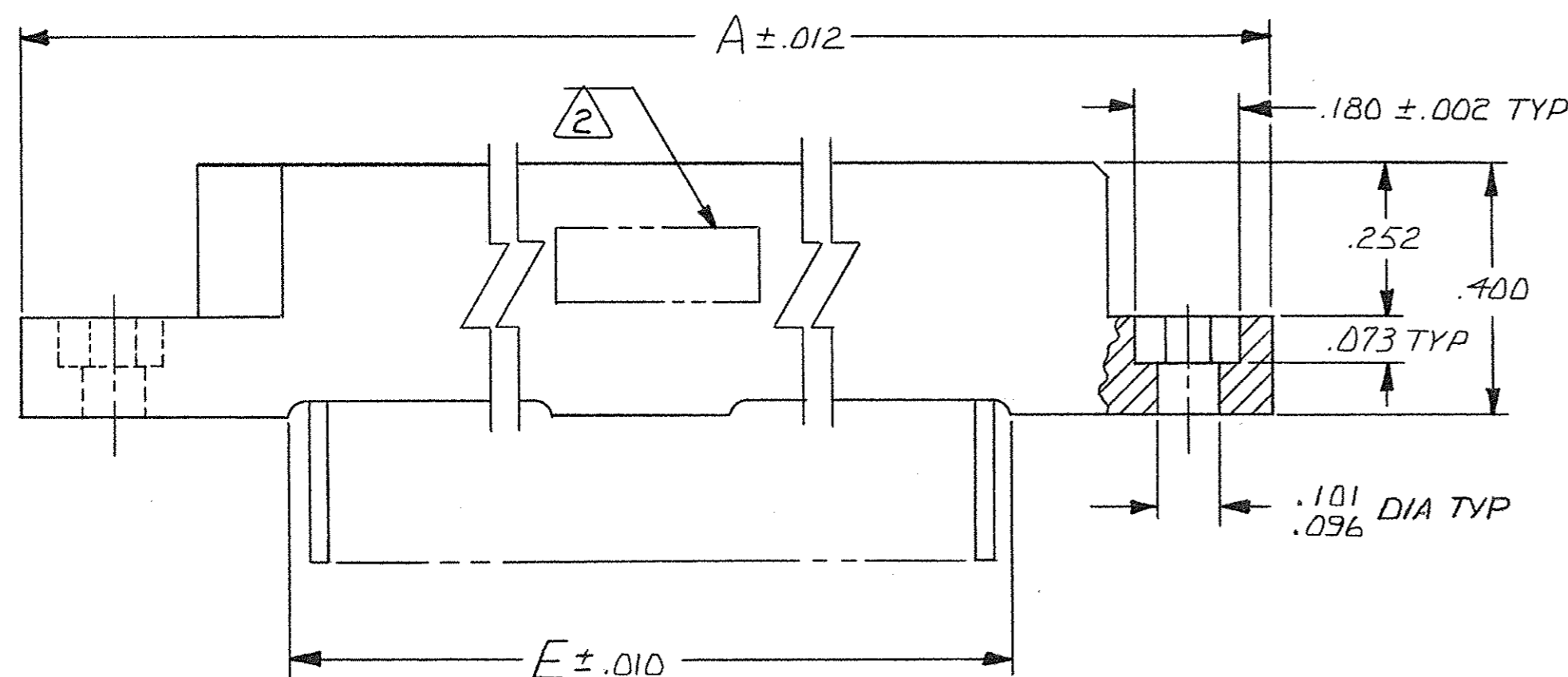
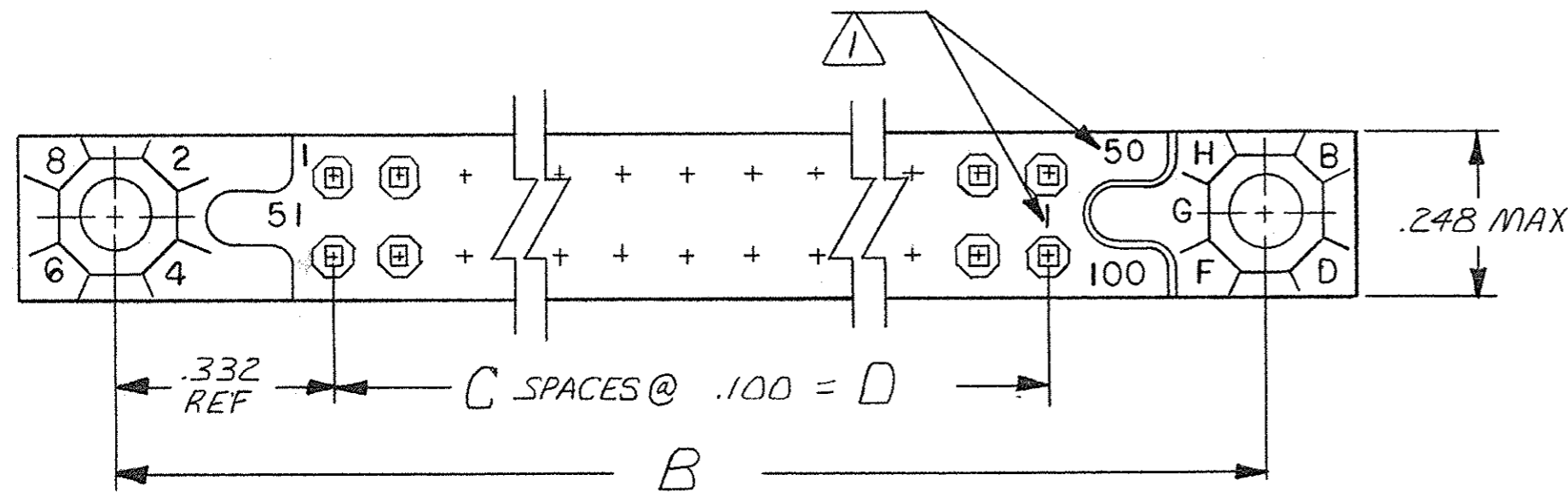


THIS DRAWING IS UNPUBLISHED. RELEASED FOR PUBLICATION, 19
© COPYRIGHT 19 BY AMP INCORPORATED, HARRISBURG, PA. ALL INTERNATIONAL RIGHTS RESERVED. AMP PRODUCTS MAY BE COVERED BY U.S. AND FOREIGN PATENTS AND/OR PATENTS PENDING.

REVISIONS					
P/F	ZONE	LTR	DESCRIPTION	DATE	APPROVED
✓		0	RELEASED	BGM 3-85	
✓		0.1	REVISED: ECN AB-1519	ab 4-85	gpp
		A	REV PER 0600-5631-96	TT 8-98	DKM
		B	REV PER 0600-5859-96	TT 9-98	gpe
		C	REV PER 0600-6476-97	TT 10-98	gpe
		D	REV PER 0600-6466-97	TT 10-98	gpe
		F	REV PER ECO-05-013297	11-05	PY
		G	REV PER OH14-0208-05	1-06	PY



UNLESS OTHERWISE SPECIFIED DIMENSIONS ARE IN INCHES. TOLERANCES ON: DECIMALS ± .010 ANGLES ±		CONTRACT NO DR 3-7-85 Brenda A. Martin		PART NO	
MATERIAL 3 4		CHK James P. Scholz 3-6-85 APPD James P. Scholz 3-6-85 APPD D. [Signature] 3/6/85		AMP INCORPORATED Harrisburg, Pa. 17105	
FINISH 5 6		OTHER APPD		NAME RECEPT ASSY, .100¢ BOX WITH .010 X .020 POSTED CONTACT	
		DSGN APPD		SIZE C FSCM NO 00779 DRAWING NO 533603	
				SCALE 4:1 SHEET 1 OF 2	

533603

THIS DRAWING IS UNPUBLISHED. RELEASED FOR PUBLICATION, 19 .

© COPYRIGHT 19 BY AMP INCORPORATED, HARRISBURG, PA. ALL INTERNATIONAL RIGHTS RESERVED. AMP PRODUCTS MAY BE COVERED BY U.S. AND FOREIGN PATENTS AND/OR PATENTS PENDING.

REVISIONS						
P	F	ZONE	LTR	DESCRIPTION	DATE	APPROVED
		G		SEE SHEET 1		

- 1 CAVITY IDENTIFICATION (SEE CHART) & LINES INDICATING EVERY 5th CAVITY, MARKED OR MOLDED.
- 2 AMP, PART NO. & DATE CODE INK STAMPED (WHITE).
- 3 HOUSING MATL - DIALLYL PHTHALATE, COLOR: BLUE.
- 4 CONTACT MATL - BERYLLIUM COPPER OR COPPER-NICKEL-SILICONE
- 5 CONTACT FINISH - .000030 GOLD IN CONTACT AREA OVER .000100 NICKEL, TIN-LEAD PLATING ON SOLDER TAILS.
- 6 CONTACT FINISH - .000030 GOLD IN CONTACT AREA OVER .000100 NICKEL TIN PLATING ON SOLDER TAILS.

CAVITY IDENTIFICATION	E	D	C	B	A	NO. OF POS.	PART NO			
6	1541	40580	3.975	3.900	39	4.565	4.855	80	5-533603-6	
6	1536	35570	3.475	3.400	34	4.065	4.355	70	5-533603-5	
6	1516	15530	1.475	1.400	14	2.065	2.355	30	5-533603-1	
5	OBS	1571	705140	6.975	6.900	69	7.565	7.855	140	1-533603-3
	OBS	1568	675134	6.675	6.600	66	7.265	7.555	134	1- -2
	OBS	1566	655130	6.475	6.400	64	7.065	7.355	130	1- -1
	OBS	1561	605120	5.975	5.900	59	6.565	6.855	120	1- -0
	OBS	1556	555110	5.475	5.400	54	6.065	6.355	110	-9
	OBS	1551	505100	4.975	4.900	49	5.565	5.855	100	-8
5	OBS	1546	45590	4.475	4.400	44	5.065	5.355	90	-7
	5	1541	40580	3.975	3.900	39	4.565	4.855	80	-6
	5	1536	35570	3.475	3.400	34	4.065	4.355	70	-5
	5	1531	30560	2.975	2.900	29	3.565	3.855	60	-4
5	OBS	1526	25550	2.475	2.400	24	3.065	3.355	50	-3
	5	1521	20540	1.975	1.900	19	2.565	2.855	40	-2
	5	1516	15530	1.475	1.400	14	2.065	2.355	30	-1

UNLESS OTHERWISE SPECIFIED DIMENSIONS ARE IN INCHES. TOLERANCES ON: DECIMALS ± .005 ANGLES ± .005	CONTRACT NO		AMP AMP INCORPORATED Harrisburg, Pa. 17105	
	DR 3-7-85 Brendon A. Martin			
MATERIAL 3 4	CHK James P. Scholz 3-6-85		NAME RECEIPT ASSY, .100 & BOX WITH .010X.020 POSTED CONTACT	
	APPD James P. Scholz 3-6-85			
FINISH 5 6	APPD J. Scholz 3-6-85		DRAWING NO 533603	
	DSGN APPD		SIZE C	FSCM NO 00779
OTHER APPD		SCALE 4:1		SHEET 2

单击下面可查看定价，库存，交付和生命周期等信息

[>>TE Connectivity\(泰科\)](#)