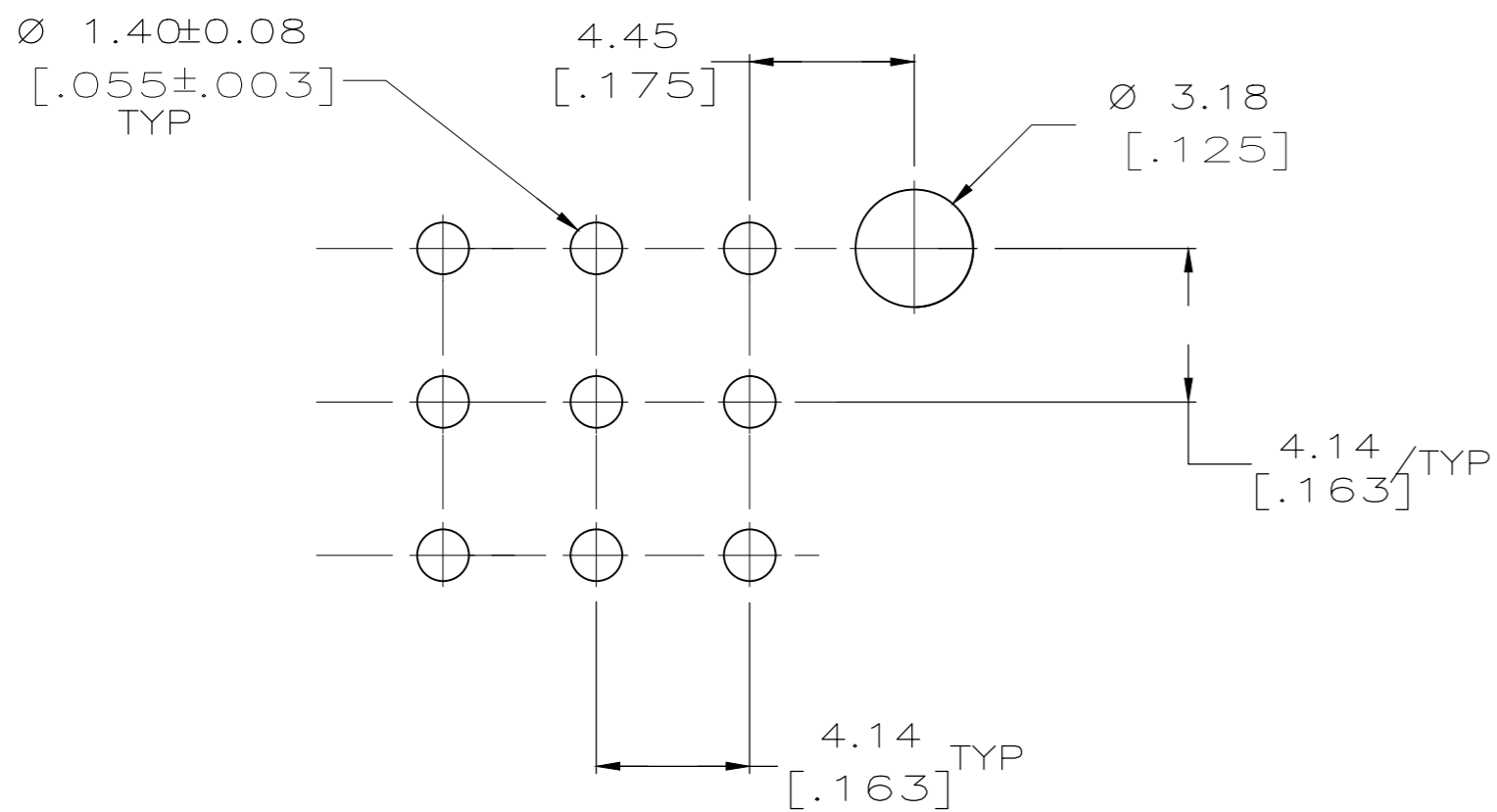
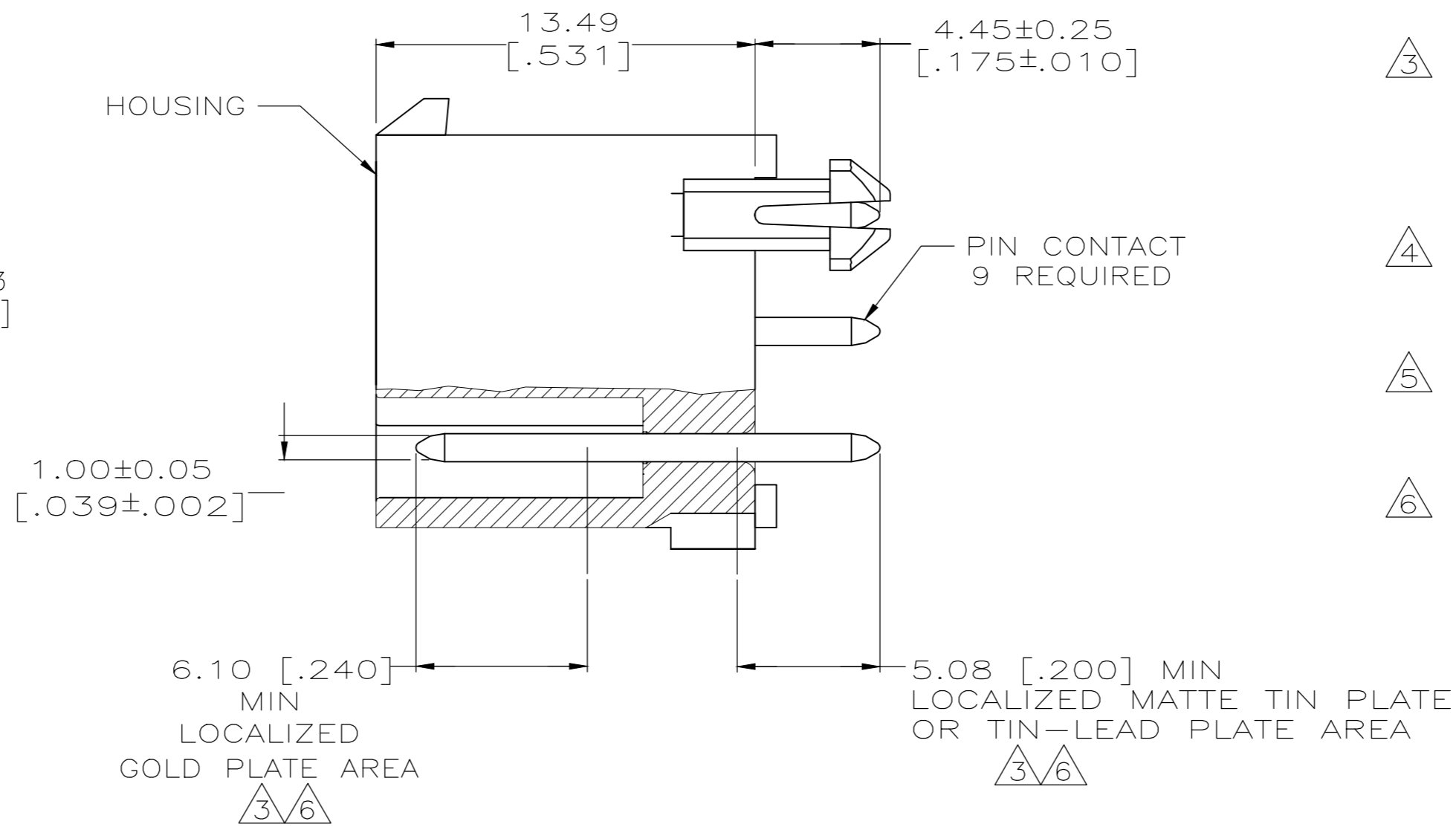
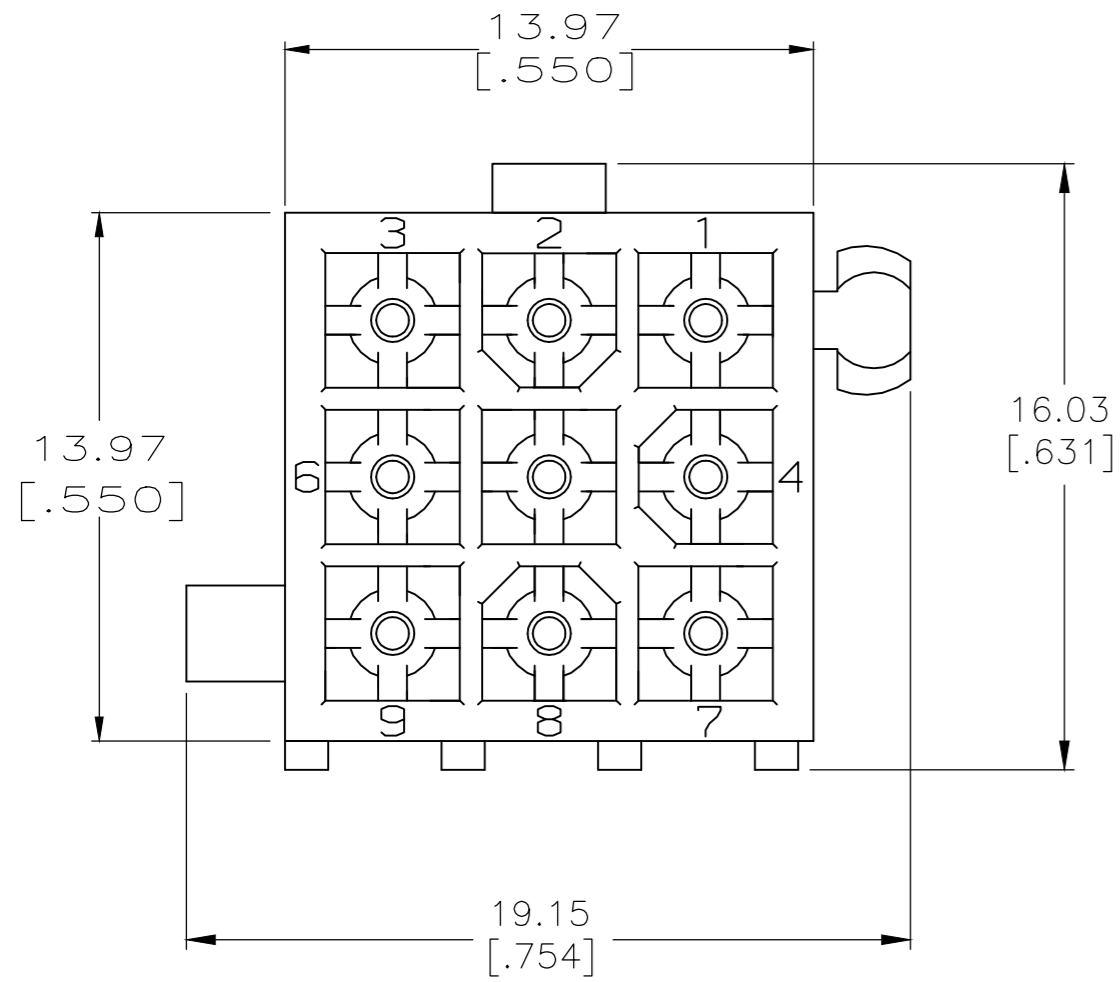


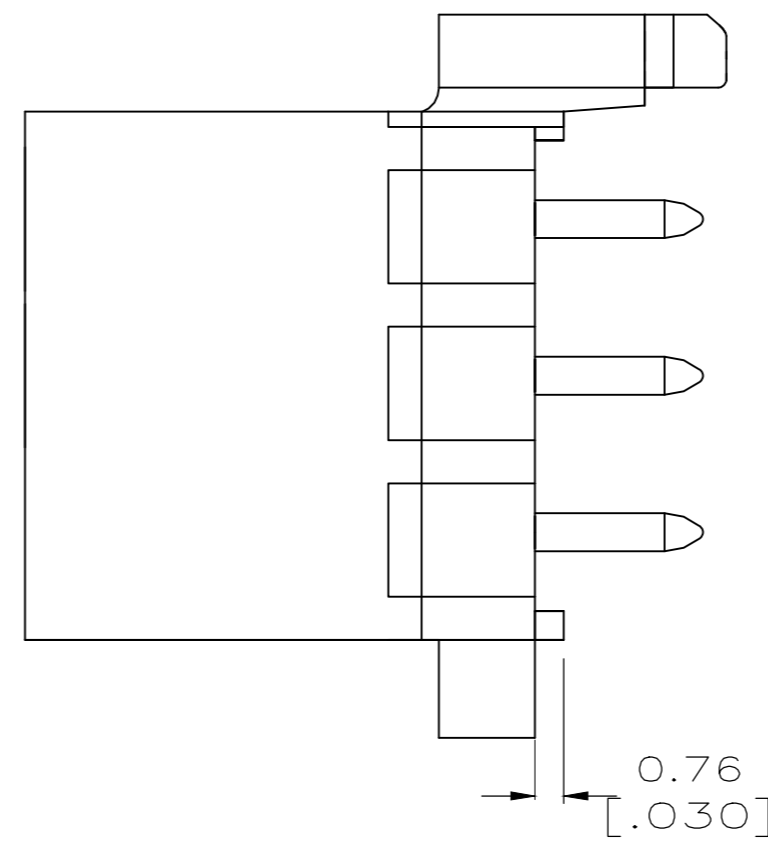
THIS DRAWING IS UNPUBLISHED. RELEASED FOR PUBLICATION  
 © COPYRIGHT - TE Connectivity Ltd. ALL RIGHTS RESERVED.

REVISIONS					
P	LTR	DESCRIPTION	DATE	DWN	APVD
G1		REVISED PER ECO-18-019906	20DEC2018	RS	SG

- PINS TO COMPLY WITH AMP SOLDERABILITY SPEC. 109-11-3.
- DIMENSIONS SHOWN IN BRACKETS ARE IN INCHES.
- 0.00076 [.000030] MIN GOLD PLATE IN THE LOCALIZED GOLD PLATE AREA, 0.00381 [.000150] MATTE TIN LEAD IN THE LOCALIZED TIN LEAD PLATE AREA, BOTH OVER 0.00127 [.000050] MIN NICKEL.
- 0.00381 [.000150] MATTE TIN LEAD OVER 0.00127 [.000050] MIN NICKEL ENTIRE LENGTH OF PIN.
- 0.00381 [.000150] MATTE TIN OVER 0.00127 [.000050] MIN NICKEL ENTIRE LENGTH OF PIN.
- 0.00076 [.000030] MIN GOLD PLATE IN THE LOCALIZED GOLD PLATE AREA, 0.00381 [.000150] MATTE TIN IN THE LOCALIZED TIN PLATE AREA, BOTH OVER 0.00127 [.000050] MIN NICKEL.



RECOMMENDED LAYOUT FOR 1.57 [.062] THICK BOARD  
 TOLERANCES NON-ACCUMULATIVE



BRASS	6	NYLON, UL94V-0	WHITE	1-770876-1
BRASS	5	NYLON, UL94V-0	WHITE	1-770876-0
BRASS	3	NYLON, UL94V-0	WHITE	770876-2
BRASS	4	NYLON, UL94V-0	WHITE	770876-1
MATERIAL	FINISH	MATERIAL	COLOR	PART NO.
PIN		HOUSING		

THIS DRAWING IS A CONTROLLED DOCUMENT.		DWN	09JUN05	S CARPENTER	
DIMENSIONS: mm		CHK	29JUL2003	R JONES	
TOLERANCES UNLESS OTHERWISE SPECIFIED:		APVD	29JUL2003	R JONES	
0 PLC	± -	PRODUCT SPEC	NAME		
1 PLC	± -	APPLICATION SPEC	TE Connectivity		
2 PLC	± 0.13	WEIGHT	0.000000	A2 00779 C=770876	
3 PLC	± -	CUSTOMER DRAWING	SCALE 5:1 SHEET 1 of 1 REV G1		
4 PLC	± -	DRAWING NO. 770876			
ANGLES	± -	RESTRICTED TO			
MATERIAL	FINISH	-			

单击下面可查看定价，库存，交付和生命周期等信息

[>>TE Connectivity\(泰科\)](#)