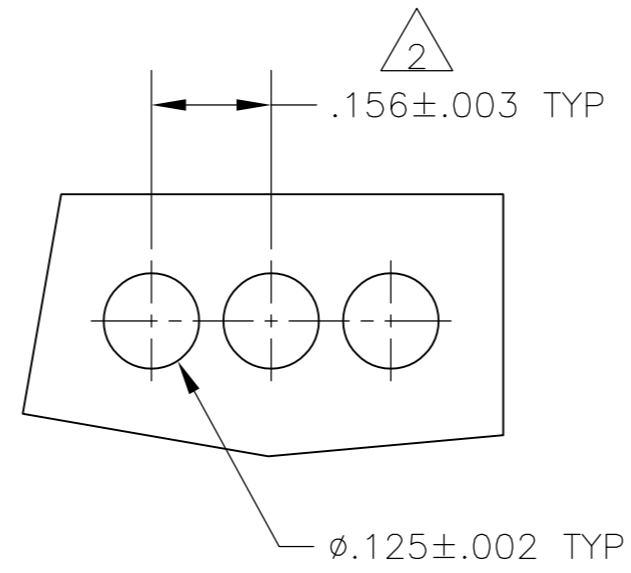
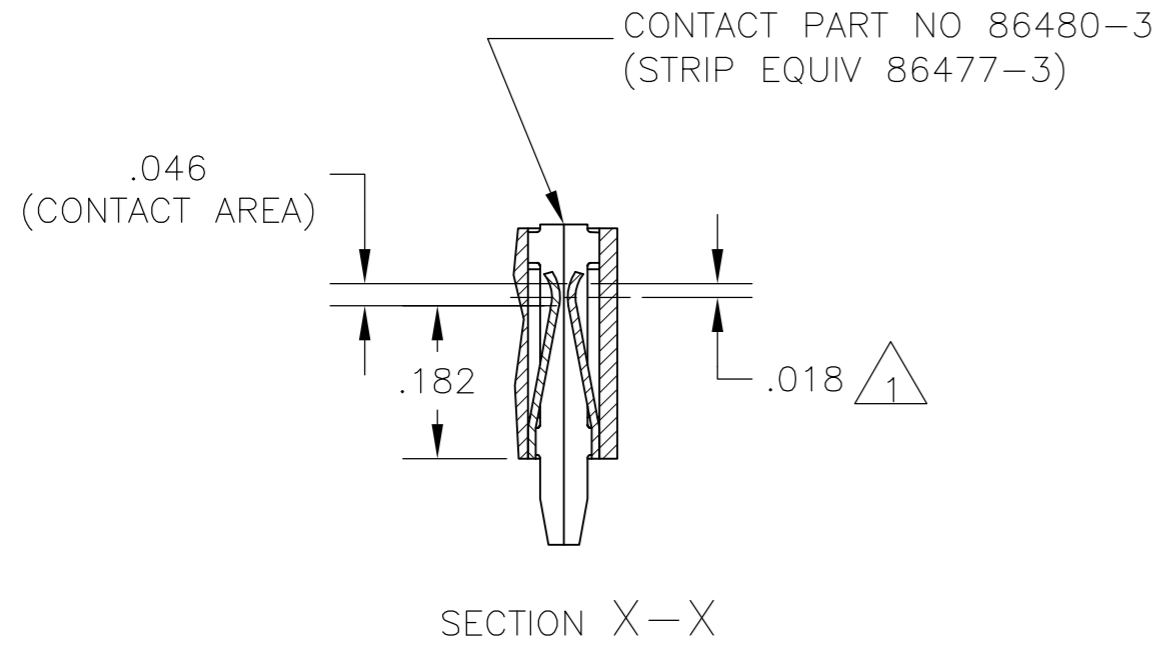


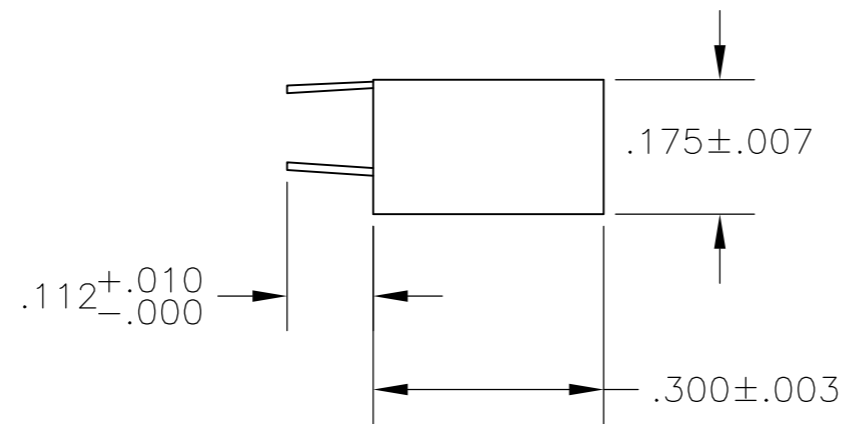
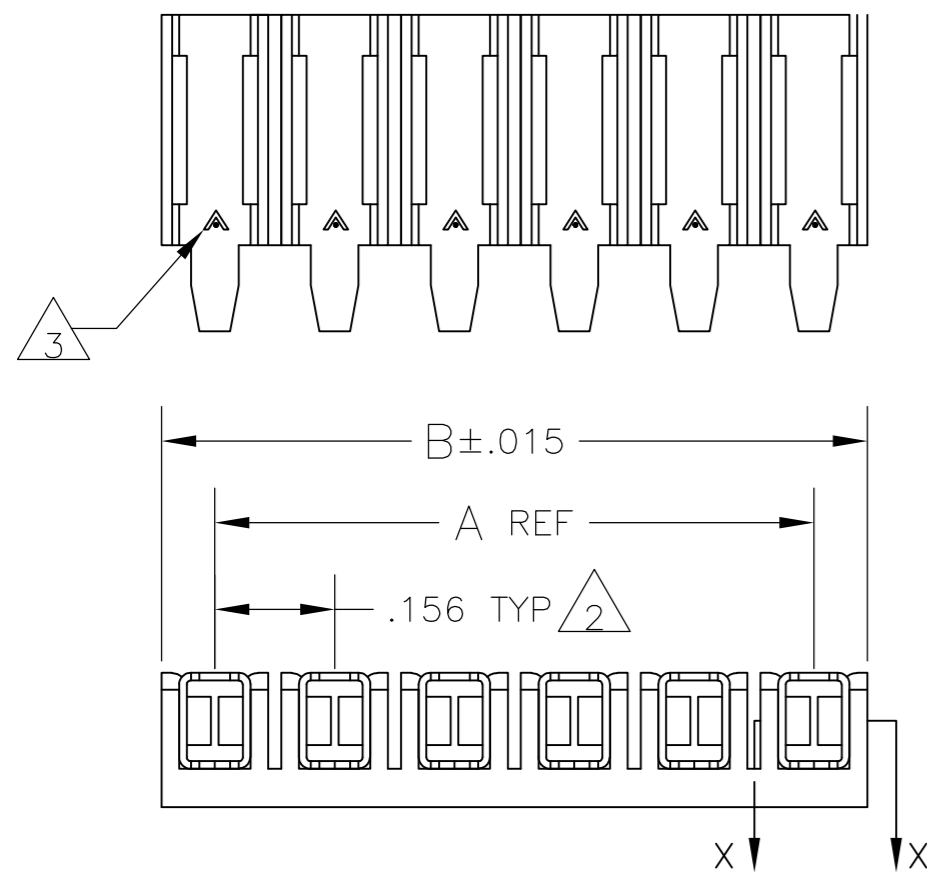
THIS DRAWING IS UNPUBLISHED. RELEASED FOR PUBLICATION
 © COPYRIGHT BY TYCO ELECTRONICS CORPORATION. ALL RIGHTS RESERVED.

LOC	DIST	REVISIONS			
P	LTR	DESCRIPTION	DATE	DWN	APVD
AD	00	N1	REVISED PER ECO-09-024927	06NOV09	KK AEG



RECOMMENDED BOARD MOUNTING
 (RECOMMENDED BOARD THICKNESS: .055-.070)

- 1 POINT OF MEASUREMENT FOR PLATING THICKNESS (INSIDE OF BEAMS).
- 2 TOLERANCE NON-CUMULATIVE.
- 3 THE MATING END OF THE CONTACT IS IDENTIFIED BY THE LETTER "A" STAMPED ON THE RECEPTACLE BOX.
- 4 OBSOLETE PARTS: OBSOLETE CIS STREAMLINING PER D.RENAUD/D.SINISI



	B	A	NO OF POSN	ASSEMBLY PART NUMBER
OBSOLETE 4	3.120	2.964	20	2-87983-0
	2.964	2.808	19	1-87983-9
	2.808	2.652	18	1-87983-8
	2.652	2.496	17	1-87983-7
OBSOLETE 4	2.496	2.340	16	1-87983-6
	2.340	2.184	15	1-87983-5
	2.184	2.028	14	1-87983-4
	2.028	1.872	13	1-87983-3
	1.872	1.716	12	1-87983-2
	1.716	1.560	11	1-87983-1
	1.560	1.404	10	1-87983-0
4 OBSOLETE	1.404	1.248	9	87983-9
	1.248	1.092	8	87983-8
4 OBSOLETE	1.092	.936	7	87983-7
	.936	.780	6	87983-6
4 OBSOLETE	.780	.624	5	87983-5
	.624	.468	4	87983-4
OBSOLETE 4	.468	.312	3	87983-3
	.312	.156	2	87983-2

THIS DRAWING IS A CONTROLLED DOCUMENT.		DWN L D RINGLEY 17MAR86	Tyco Electronics Corporation Harrisburg, PA 17105-3608	
DIMENSIONS: INCHES		CHK P C DEJONG 18MAR86	NAME ASSY, MOD I, BOARD MOUNT RECP, .156CL, STD PRESSURE, TYPE A, FOR ROUND HOLE MOUNTING	
TOLERANCES UNLESS OTHERWISE SPECIFIED:		APVD P C DEJONG 18MAR86	PRODUCT SPEC 108-25,016	RESTRICTED TO
0 PLC ± -		APPLICATION SPEC 114-25,004	SIZE A2	CAGE CODE 00779
1 PLC ± -		FINISH: .000079 MIN TIN	DRAWING NO C=87983	SCALE 4:1
2 PLC ± -		MATERIAL HOUSING-FLAME RETARDANT THERMOPLASTIC, COLOR-BLACK	WEIGHT -	SHEET 1 OF 1
3 PLC ± .005		CONTACTS: PHOS BRONZE	CUSTOMER DRAWING	REV N1
4 PLC ± -				
ANGLES ± -				

单击下面可查看定价，库存，交付和生命周期等信息

[>>TE Connectivity\(泰科\)](#)