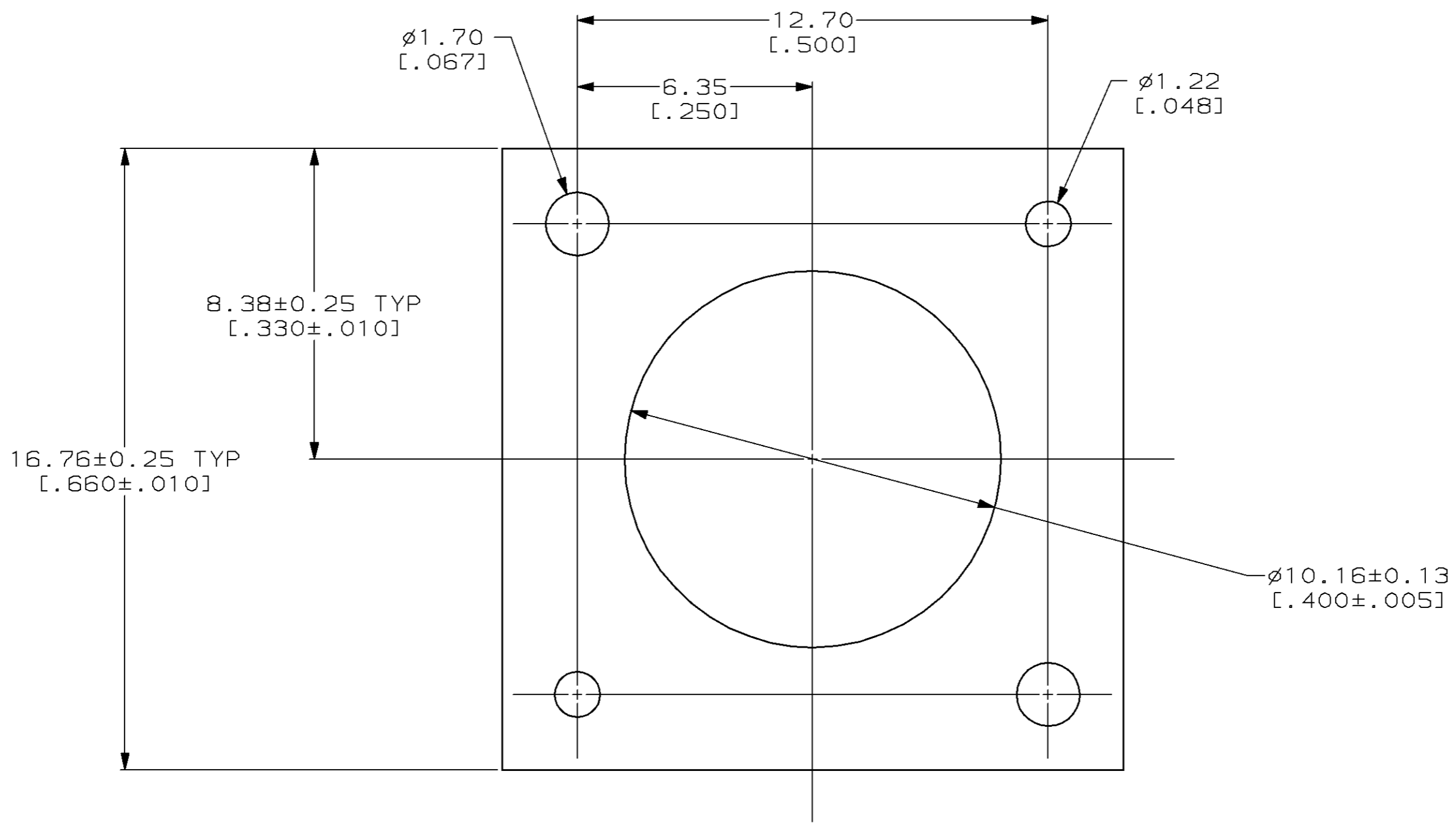


THIS DRAWING IS UNPUBLISHED. RELEASED FOR PUBLICATION, 19 .
 © COPYRIGHT 19 BY AMP INCORPORATED. ALL RIGHTS RESERVED.

LOC	DIST	REVISIONS			
P	LTR	DESCRIPTION	DATE	DWN	APVD
AJ	16				
	A	REV PER 0630-0538-98	22DEC98	MO	JL



1274213-1
 PART NUMBER

1. FOR USE WITH 414493-1 AND 414553-1.

THIS DRAWING IS A CONTROLLED DOCUMENT.		DWN J. LIPPERT 12-11-98	 AMP Incorporated Harrisburg, PA 17105-3608
DIMENSIONS: mm [IN]		CHK J. LIPPERT 12-11-98	
TOLERANCES UNLESS OTHERWISE SPECIFIED:		APVD J. LIPPERT 12-11-98	
0 PLC ±- 1 PLC ±- 2 PLC ±0.08 [.003] 3 PLC ±- 4 PLC ±- ANGLES ±-		NAME	
MATERIAL MYLAR, .010 THICK		FINISH -	PRODUCT SPEC - APPLICATION SPEC - WEIGHT - CUSTOMER DRAWING
		SIZE A3	CAGE CODE 00779 DRAWING NO C- 1274213 RESTRICTED TO -
		SCALE -	SHEET 1 OF 1 REV A

单击下面可查看定价，库存，交付和生命周期等信息

[>>TE Connectivity\(泰科\)](#)