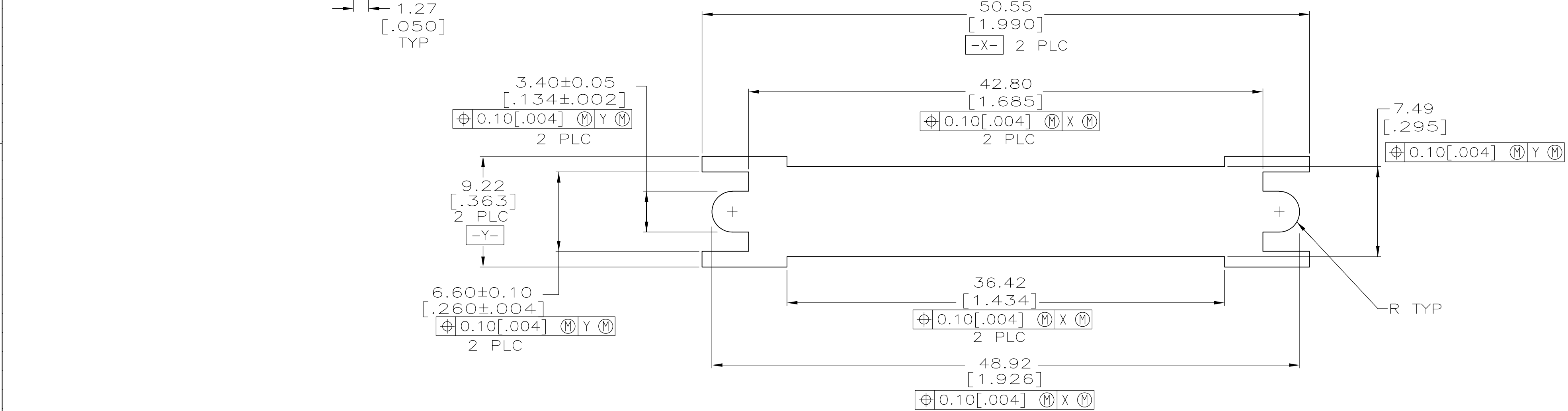
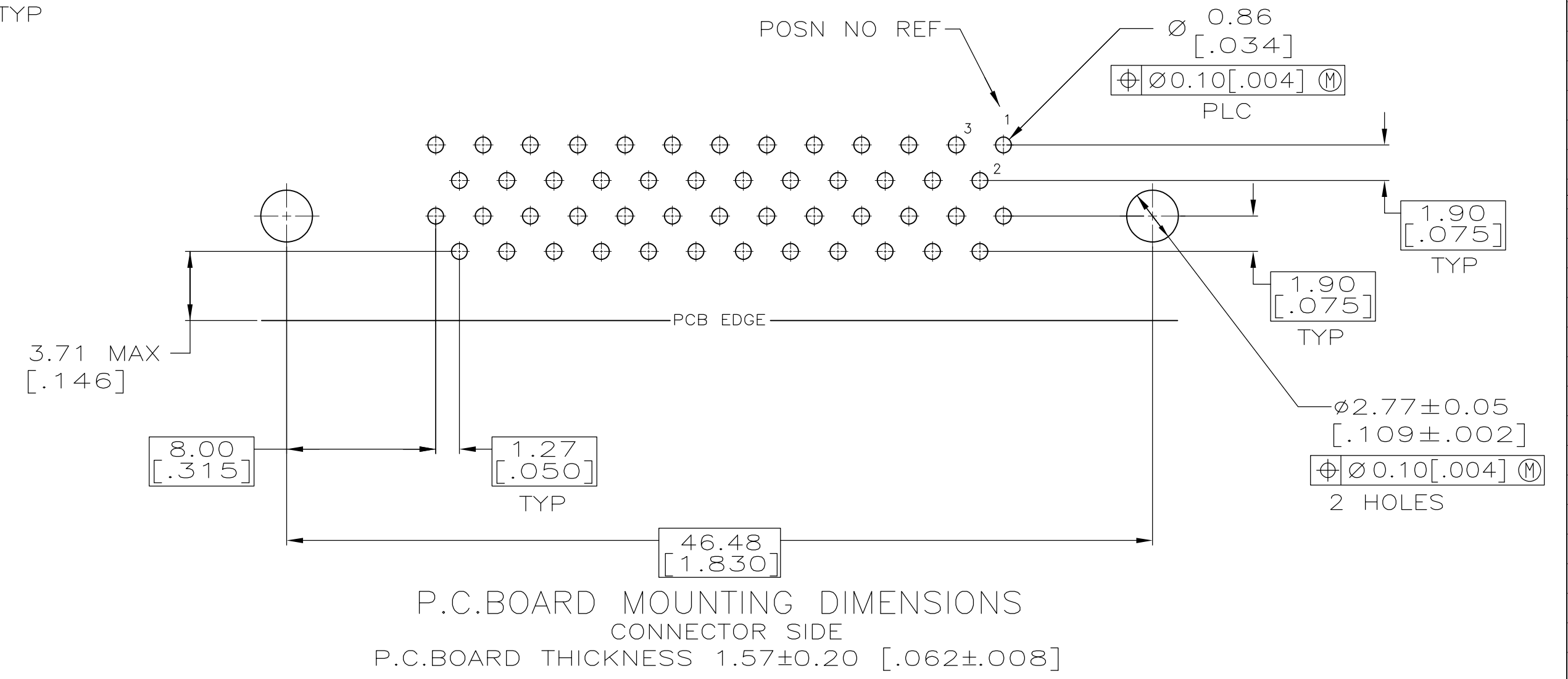
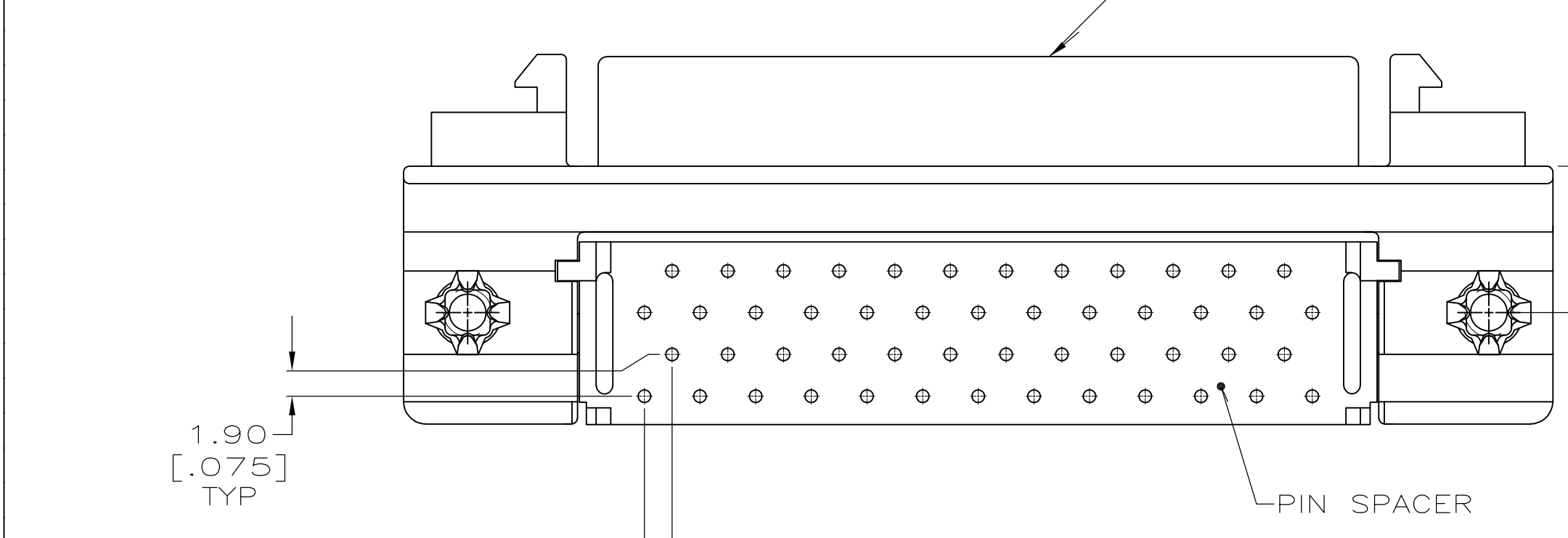
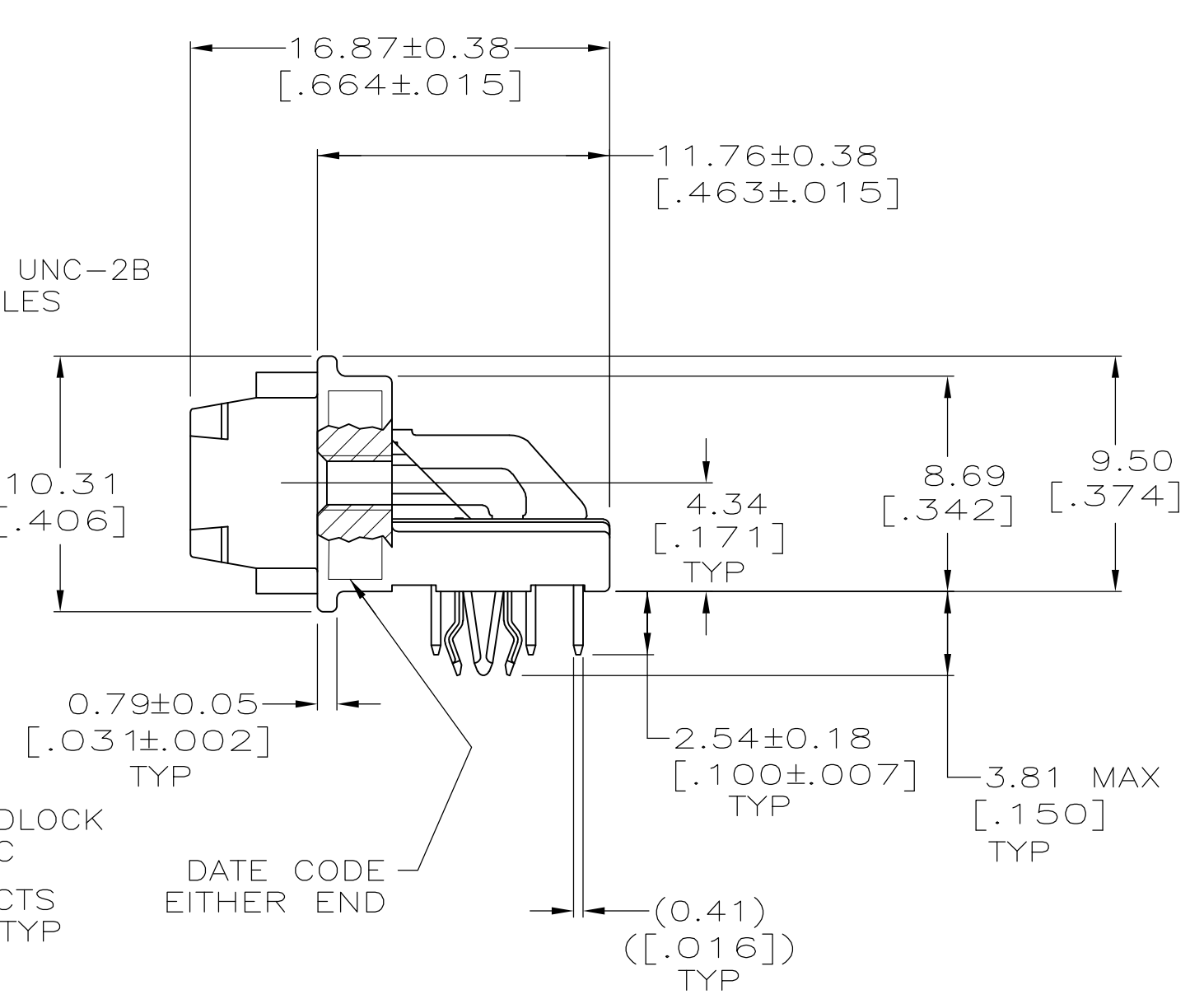
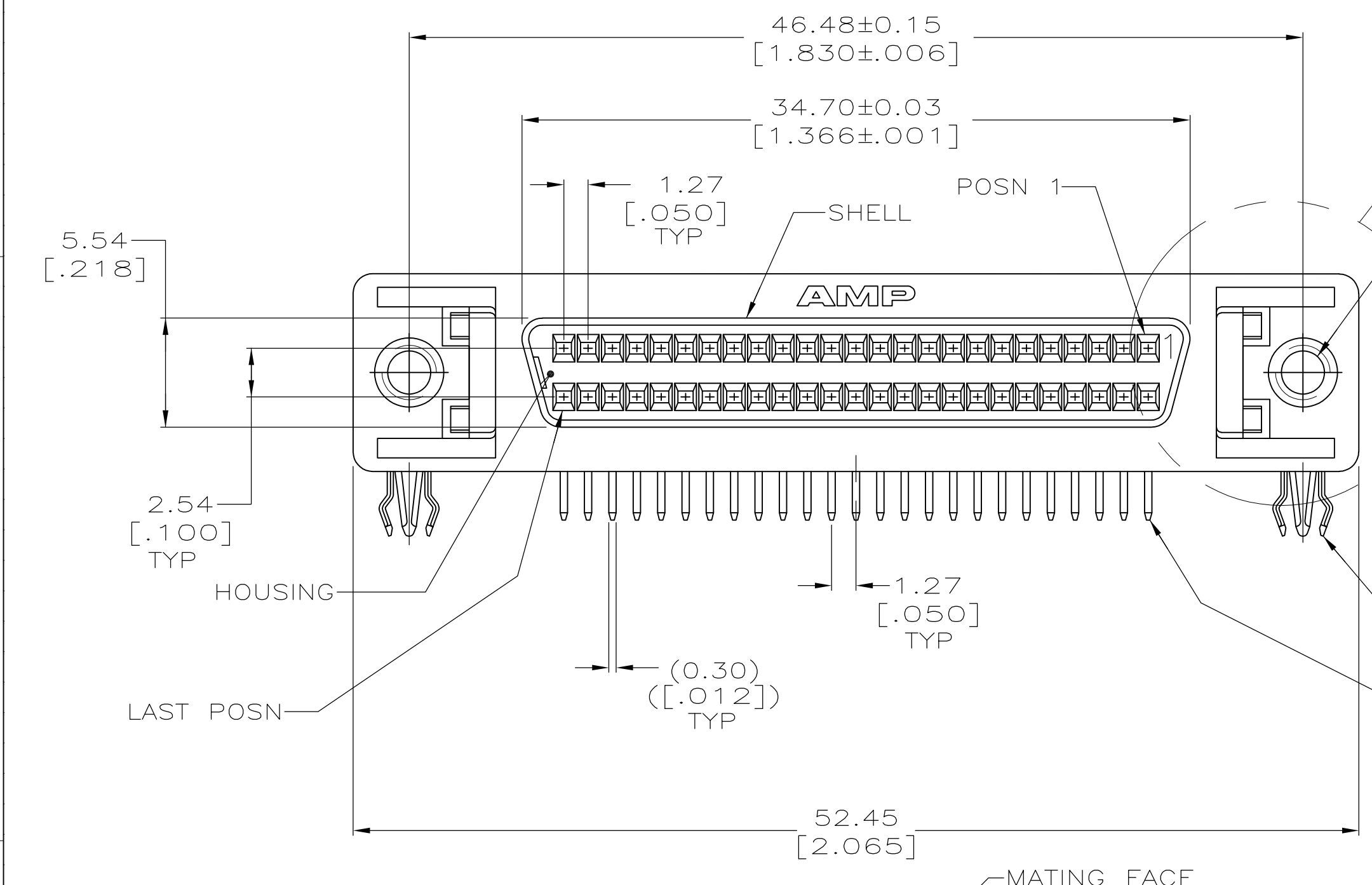


- CONTACTS: PHOSPHOR BRONZE
- HOUSING & PIN SPACER: UL 94V-0 RATED, THERMOPLASTIC, BLACK
- BRACKET: ZINC
- SHELL: CARBON STEEL
- BOARDLOCKS: COPPER ALLOY
- CONTACTS: EITHER 0.76µm [.000030] MIN GOLD PLATE FOR A LENGTH OF 0.64 [.025] MAX, 0.13 [.005] MIN FROM MATING END OR GOLD FLASH OVER PALLADIUM NICKEL PLATE, 0.76µm [.000030] MIN TOTAL FOR A LENGTH OF 0.64 [.025] MAX, 0.13 [.005] MIN FROM MATING END. 3.81µm [.000150] MIN TIN ON OPPOSITE END FOR A LENGTH OF 2.72 [.107] MIN, BOTH OVER 1.27µm [.000050] MIN NICKEL.
- SHELL: 5.08µm [.000200] MIN NICKEL OVER 1.27µm [.000050] MIN COPPER.
- BRACKET: 2.54µm [.000100] MIN NICKEL OVER 5.08µm [.000200] COPPER.
- BOARDLOCKS: 5.08µm [.000200] MIN TIN OVER 1.27µm [.000050] MIN NICKEL.



RECOMMENDED PANEL CUTOUT

**COPYRIGHT 2005
 TYCO ELECTRONICS CORP
 ALL RIGHTS RESERVED**

5787266-5
 PART NUMBER

THIS DRAWING IS A CONTROLLED DOCUMENT.		DWN G. ATTADIA - 02-14-05	Tyco Electronics Tyco Electronics Corporation Harrisburg, PA 17105-3608
DIMENSIONS: mm [INCHES]		CHK S. SHUEY - 02-14-05	
TOLERANCES UNLESS OTHERWISE SPECIFIED:		APRD M. WALMSLEY - 02-14-05	NAME
0 PLC	± -	PRODUCT SPEC	RECEPTACLE ASSEMBLY, SHIELDED, RIGHT ANGLE, 50 POSN, RAILED, .050 SERIES, AMPLIMITE
1 PLC	± -	APPLICATION SPEC	108-1228
2 PLC	± 0.13 [.005]	SIZE	114-40029
3 PLC	± -	WEIGHT	-
4 PLC	± -	CUSTOMER DRAWING	SCALE 1:1 SHEET 1 OF 1 REV B
ANGLES	± -	DRAWING NO A1 00779 ©=5787266	
FINISH	± -	RESTRICTED TO	

单击下面可查看定价，库存，交付和生命周期等信息

[>>TE Connectivity\(泰科\)](#)