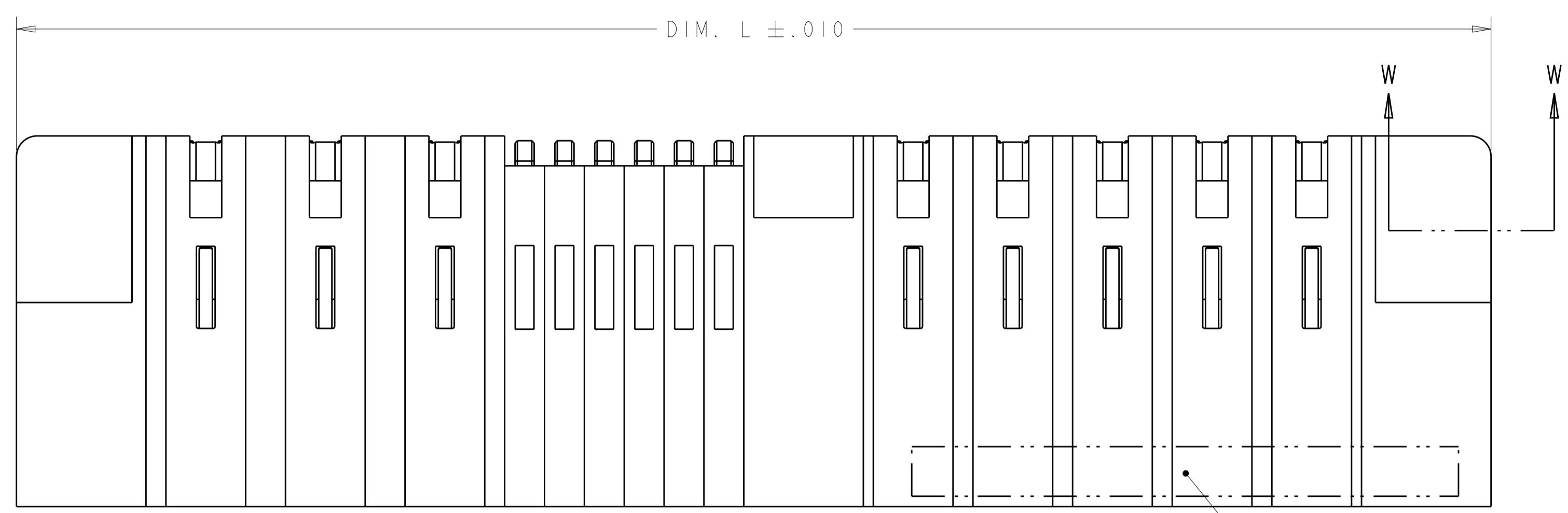
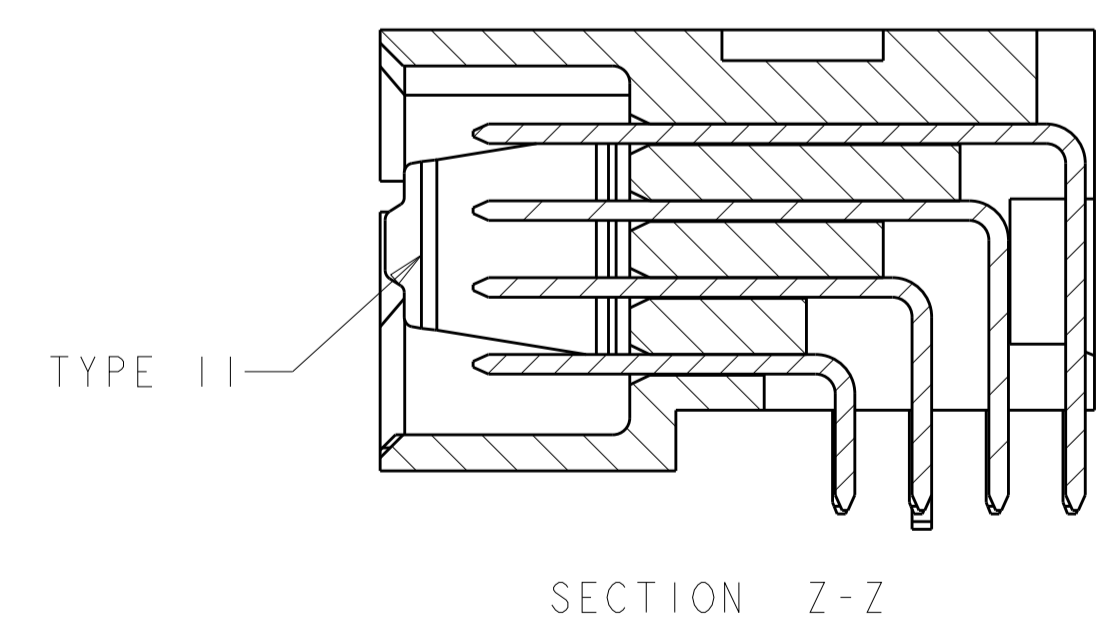
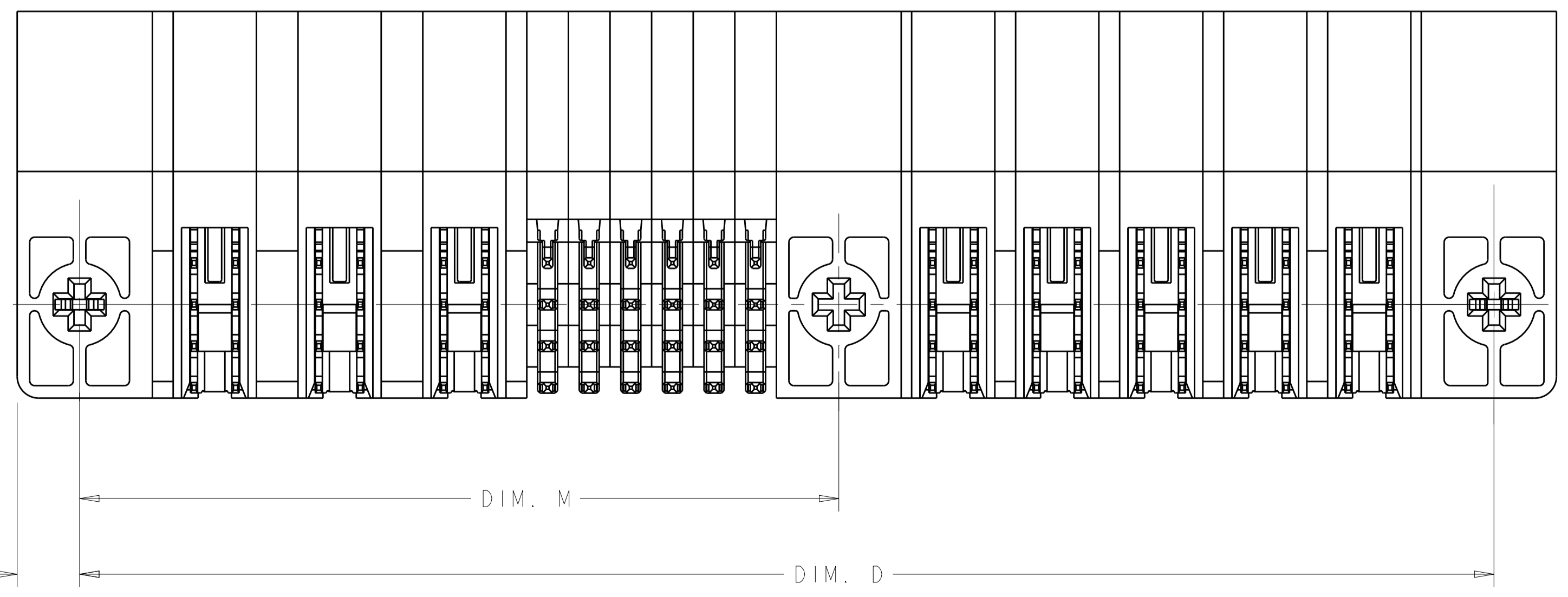
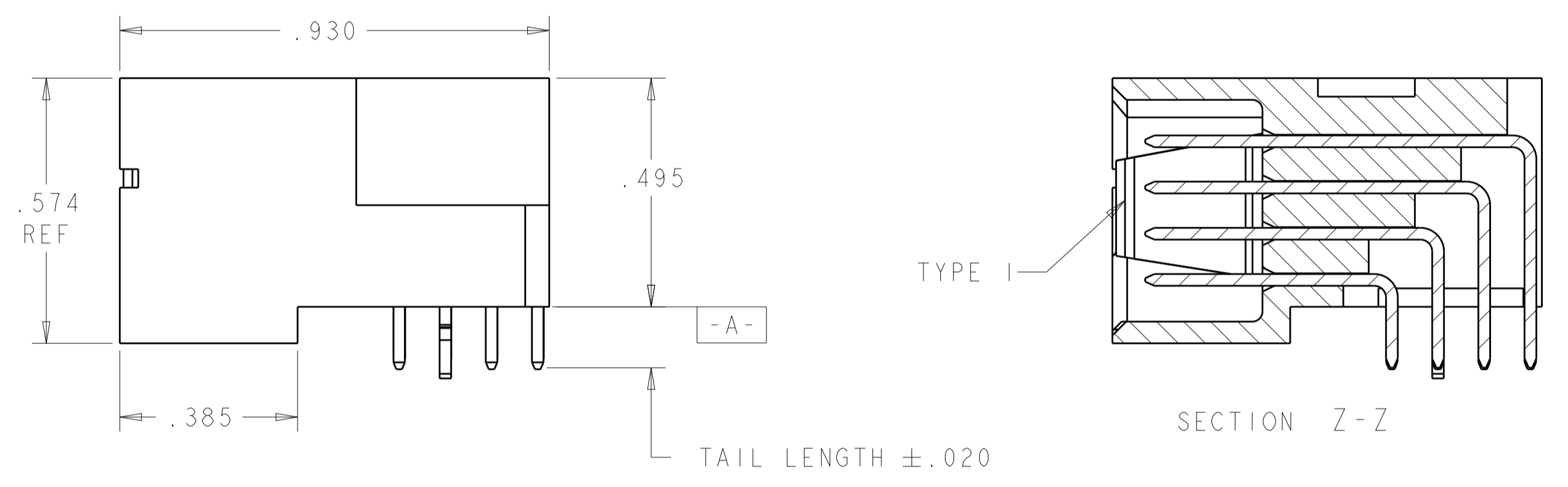
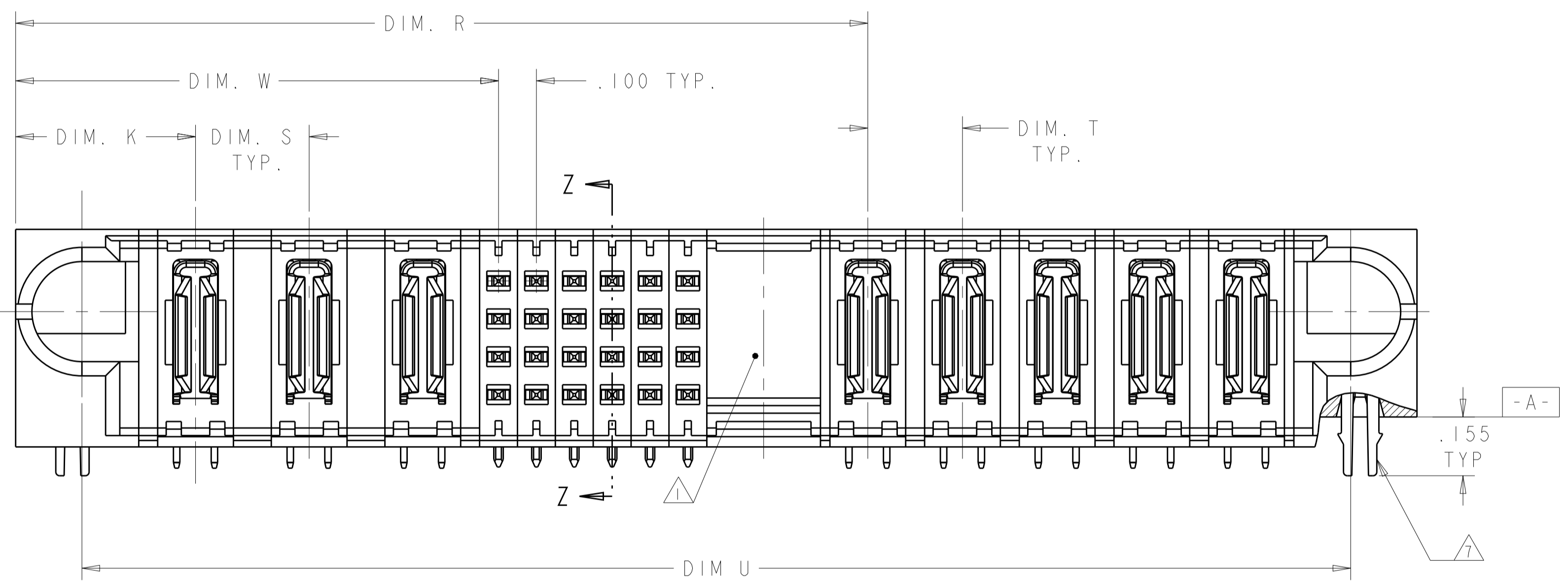


| REVISIONS |     |                         |           |          |
|-----------|-----|-------------------------|-----------|----------|
| P.        | LTM | DESCRIPTION             | DATE      | OWN APVD |
| F1        |     | ADD NEW DASH NUMBER 2-4 | 05JAN2014 | CZ SZ    |
| F2        |     | ADD NEW DASH NUMBER 2-5 | 05MAR2015 | CZ SZ    |
| F3        |     | ADD NEW DASH NUMBER 2-6 | 24MAR2015 | CZ SZ    |
| F4        |     | ADD NEW DASH NUMBER 2-7 | 20DEC2017 | CZ SZ    |



- △ OPTIONAL CENTER MODULE WITH Ø.150 THRU HOLE OR HOLD DOWN FEATURE.
- △ "AMP", PART NUMBER, AND DATE CODE TO BE MARKED IN AREA SHOWN. PARTS UNDER 2.00 LONG MAY BE MARKED ON BOTH SIDES.
- △ MATERIAL: HOUSING - GLASS FILLED HIGH TEMP THERMO PLASTIC, UL94 V-0  
 SIGNAL CONTACT - COPPER ALLOY  
 POWER CONTACT - HIGH CONDUCTIVITY COPPER ALLOY
- △ CONTACT PLATING: NOBLE METAL PLATING ON CONTACT FUNCTIONAL AREA
- △ MECHANICAL CONNECTOR KEEP OUT ZONE.
- △ DATUM AND BASIC DIMENSIONS ESTABLISHED BY CUSTOMER.
- △ HOLD DOWN SEATING DEPTH DIMENSION FOR 1450130-4 IS .185 TYP
- △ PCB - ALL HOLE DIAMETERS ARE FINISHED HOLE SIZES.
- △ PCB - .0453 +/- .0010 DRILLED HOLES PLATES WITH .0003 MIN Sn OVER .001 TO .003 Cu PLATING TO ACHIEVE A .040±.003 DIA HOLE.
- △ VARIABLE DIMENSIONS SHOWN ON VIEW ( SHEET 4).




|  |  |   |   |  |
|--|--|---|---|--|
| THIS DRAWING IS A CONTROLLED DOCUMENT.                               |  | OWN: R. GRZYBOWSKI<br>CHK: M. PERCZERKE<br>APVD: M. PERCZERKE | OTMAROS<br>OTMAROS  | TE Connectivity  |
| DIMENSIONS: INCHES   |  | TOLERANCES UNLESS OTHERWISE SPECIFIED:                        | NAME: RIGHT ANGLE HEADER ASSEMBLY<br>PRODUCT SPEC: 108-1973<br>APPLICATION SPEC: 114-13038<br>SIZE: A1<br>CAGE CODE: C=6600130<br>DRAWING NO: 6600130 |  |
| 0 PLC ±.<br>1 PLC ±.01<br>2 PLC ±.005<br>3 PLC ±.0020<br>ANGLES ±.2° |  | 3<br>4  | WEIGHT:<br>CUSTOMER DRAWING   | RESTRICTED TO:<br>SCALE: 4:1<br>SHEET 1 OF 13<br>REV: F5 |

THIS DRAWING IS UNPUBLISHED. RELEASED FOR PUBLICATION 20  
 © COPYRIGHT 20 BY - ALL RIGHTS RESERVED.

| REVISIONS |     |             |      |      |
|-----------|-----|-------------|------|------|
| P.        | LTN | DESCRIPTION | DATE | APVD |
| -         | -   | SEE SHEET 1 | -    | -    |
|           |     |             |      |      |
|           |     |             |      |      |

| PWR CON TYPE | DIM U | DIM S    | DIM T    | DIM R | DIM W | DIM D | DIM M | DIM L | DIM K | DESCRIPTION      | PART NUMBER |
|--------------|-------|----------|----------|-------|-------|-------|-------|-------|-------|------------------|-------------|
| I            | 2.850 | .300     | .200     | 2.125 | 1.825 | 2.900 | -     | 3.200 | .450  | 7HDP + 8S + 3ACP | 2-6600130-7 |
| I            | 1.900 | .300     | .250     | 1.550 | 1.275 | 1.950 | -     | 2.250 | .475  | 3ACP + 8S + 2P   | 2-6600130-6 |
| I            | 1.700 | .250     | .250     | 1.350 | .875  | 1.750 | -     | 2.050 | .450  | 2P + 16S + 2P    | 2-6600130-5 |
| I            | 1.800 | .300     | .300     | 1.375 | 1.025 | 1.850 | -     | 2.150 | .475  | 2ACP + 8S + 2ACP | 2-6600130-4 |
| I            | 2.400 | .250     | .250     | 1.550 | .875  | 2.450 | -     | 2.750 | .450  | 2P + 24S + 4P    | 2-6600130-2 |
| I            | 2.300 | .200     | .200     | 1.650 | 1.225 | 2.350 | -     | 2.650 | .450  | 4P + 12S + 4P    | 2-6600130-1 |
| I            | 2.200 | .250     | .250     | 1.350 | .875  | 2.250 | -     | 2.550 | .450  | 2P + 16S + 4P    | 2-6600130-0 |
| I            | 2.325 | .300     | .250     | 1.975 | 1.600 | 2.375 | -     | 2.675 | .450  | 4ACP + 12S + 2P  | 1-6600130-9 |
| I            | 2.900 | .250     | .250     | 2.050 | 1.375 | 2.950 | -     | 3.250 | .450  | 4P + 24S + 4P    | 1-6600130-8 |
| I            | 4.400 | .250     | .250     | 2.800 | 2.125 | 4.450 | -     | 4.750 | .450  | 7P + 24S + 7P    | 1-6600130-7 |
| I            | 5.400 | .250     | .250     | 3.300 | 2.625 | 5.450 | -     | 5.750 | .450  | 9P + 24S + 9P    | 1-6600130-6 |
| I            | 2.200 | .250     | .250     | 1.350 | .875  | 2.250 | -     | 2.550 | .450  | 2P + 16S + 4P    | 1-6600130-5 |
| I            | 2.500 | .250     | .250     | 2.150 | 1.425 | 2.550 | -     | 2.850 | .450  | 4P + 24S + 2P    | 1-6600130-4 |
| I            | 2.800 | $\Delta$ | .250     | 2.450 | 1.975 | 2.850 | -     | 3.150 | .450  | 6P + 16S + 2P    | 1-6600130-3 |
| II           | 3.200 | .200     | .200     | 2.125 | 1.575 | 3.250 | -     | 3.550 | .425  | 6P + 20S + 6P    | 1-6600130-1 |
| I            | 5.450 | $\Delta$ | $\Delta$ | 3.075 | 2.425 | 5.500 | -     | 5.800 | .425  | 10P + 24S + 12P  | 6600130-8   |
| I            | 3.650 | .250     | .250     | 2.550 | 1.875 | 3.700 | -     | 4.000 | .450  | 6P + 24S + 5P    | 6600130-6   |
| I            | 4.350 | .250     | .250     | 3.000 | 2.125 | 4.400 | -     | 4.700 | .450  | 7P + 32S + 6P    | 6600130-5   |
| I            | 5.100 | .250     | .250     | 3.250 | 2.375 | 5.150 | -     | 5.450 | .450  | 8P + 32S + 8P    | 6600130-4   |
| I            | 7.400 | .250     | .250     | 5.050 | 2.875 | 7.450 | -     | 7.750 | .450  | 10P + 84S + 10P  | 6600130-3   |
| I            | 3.300 | .300     | .250     | 1.950 | 1.275 | 3.350 | -     | 3.650 | .475  | 3ACP + 24S + 6P  | 6600130-2   |
| I            | 3.050 | .300     | .250     | 1.950 | 1.275 | 3.100 | -     | 3.400 | .475  | 3ACP + 24S + 5P  | 6600130-1   |

|   |  |                               |          |   |   |  |
|---|--|-------------------------------|----------|---|---|--|
| THIS DRAWING IS A CONTROLLED DOCUMENT.                |  | OWN<br>R. GRZYBOWSKI          | OTIMAROS |  | TE Connectivity   |  |
| DIMENSIONS:<br>INCHES                                 |  | CHK<br>M. PERCHERKE           | OTIMAROS |   | NAME<br>RIGHT ANGLE HEADER ASSEMBLY<br>DUAL BEAM POWER CONTACT<br>MULTI-BEAM XL |  |
| TOLERANCES UNLESS OTHERWISE SPECIFIED:                |  | APVD<br>M. PERCHERKE          | -        | PRODUCT SPEC<br>108-1973  |   |  |
| 0 PLC ±.<br>2 PLC ±.01<br>3 PLC ±.005<br>4 PLC ±.0020 |  | APPLICATION SPEC<br>114-13038 |          | SIZE<br>A1  |   |  |
| ANGLES<br>FINISH                                      |  | WEIGHT                        |          | CAGE CODE<br>6600130  |   |  |
| MATERIAL  |  | CUSTOMER DRAWING              |          | RESTRICTED TO   |   |  |
|   |  |                               |          | SCALE 4:1 SHEET 2 OF 13 REV F5  |   |  |

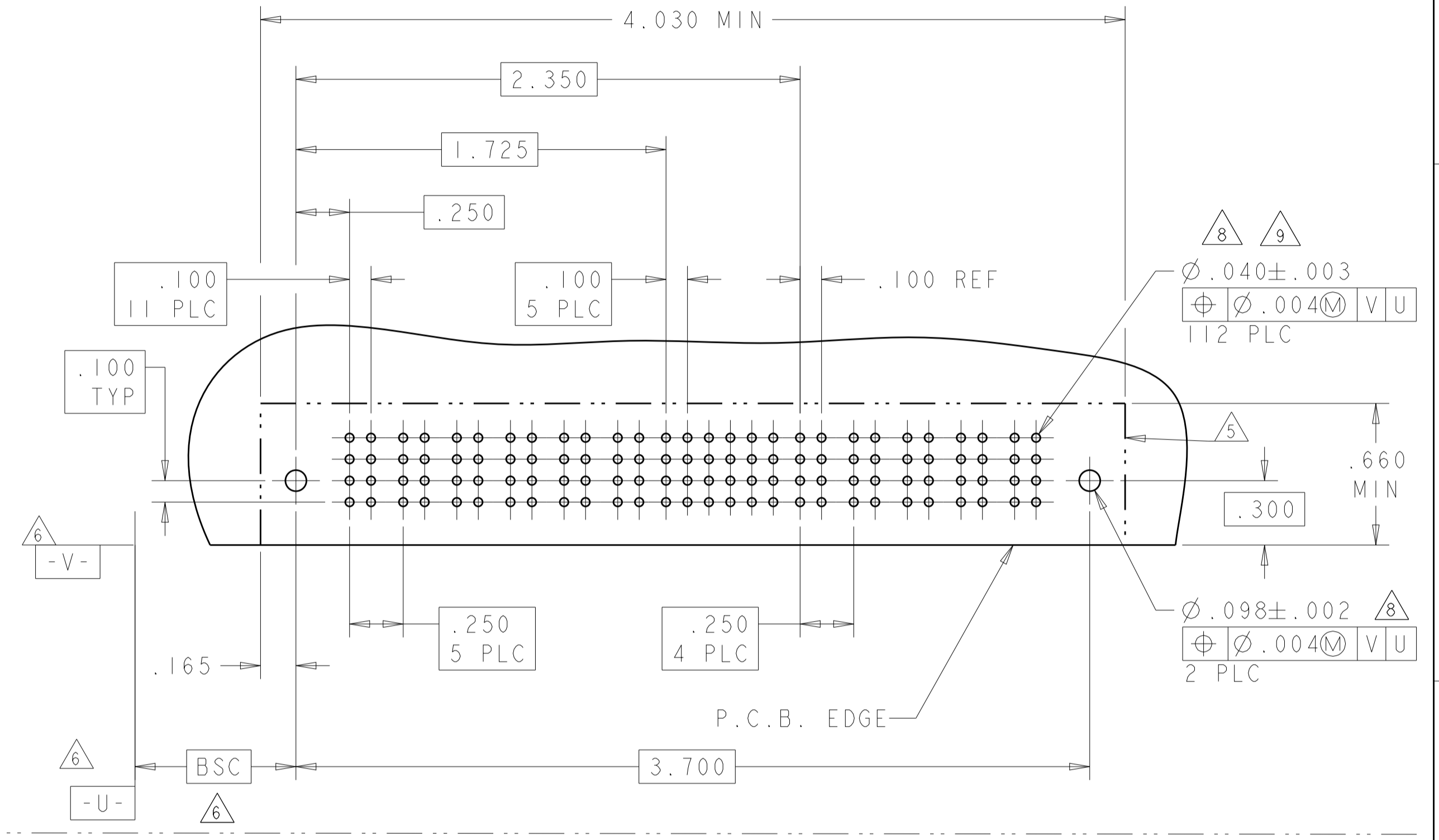
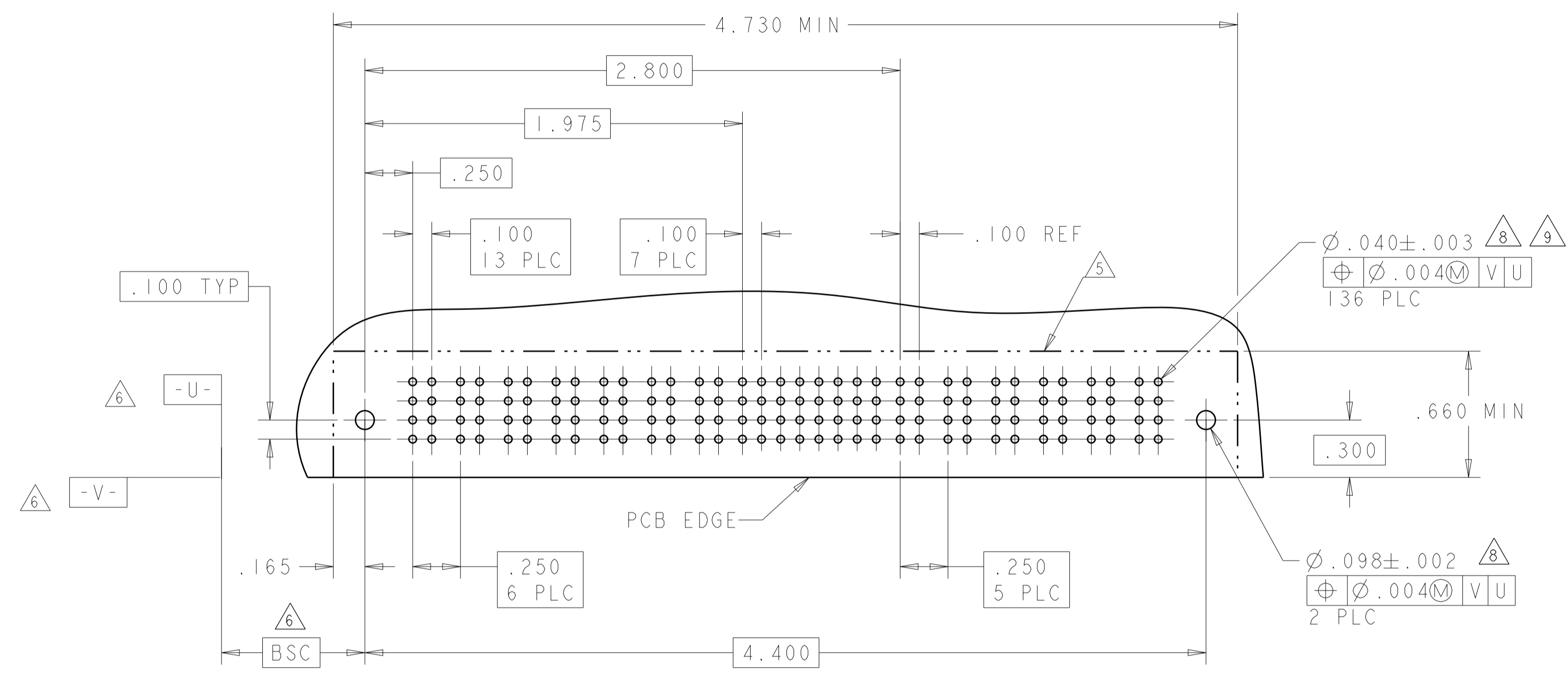




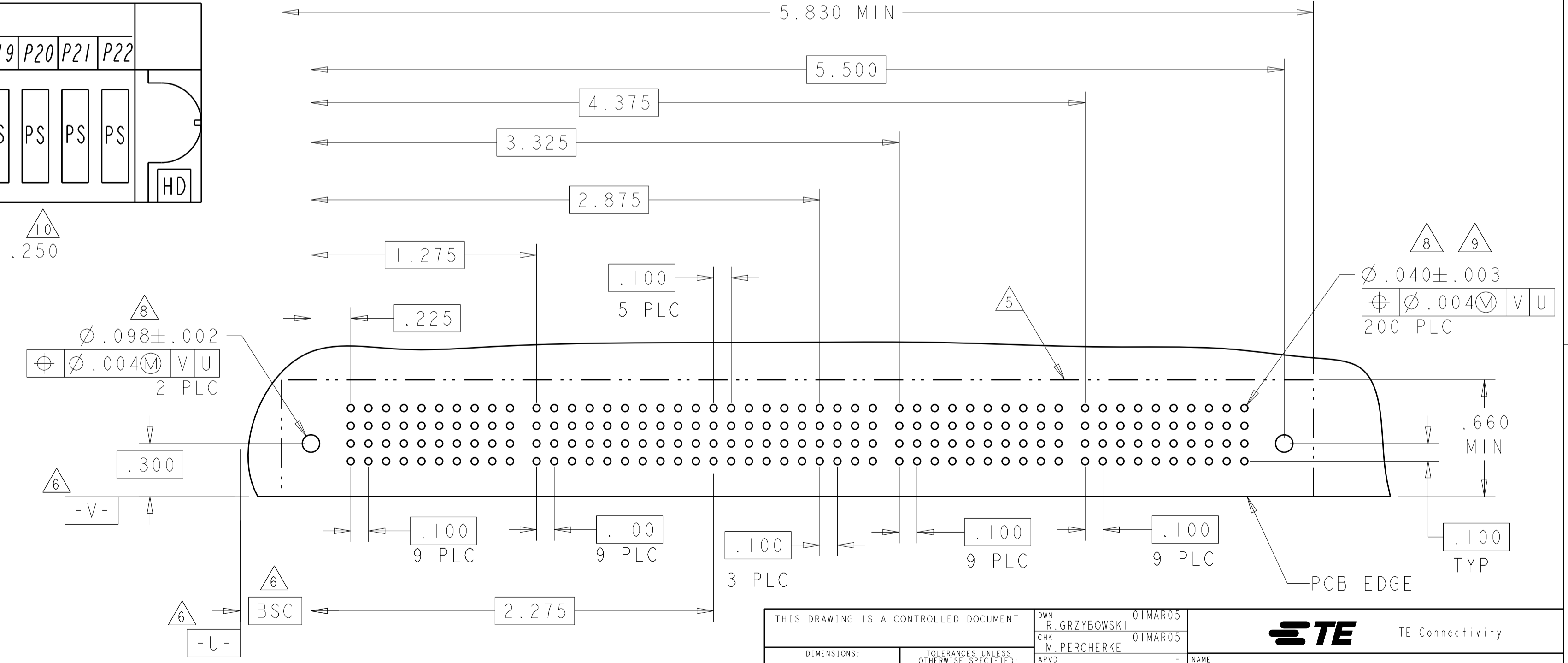
| REVISIONS |             |      |     |      |
|-----------|-------------|------|-----|------|
| P. LTR.   | DESCRIPTION | DATE | OWN | APVD |
| -         | SEE SHEET 1 | -    | -   | -    |

| PART NUMBER   | ROWS             | POWER |    |    |    |    |    |    | SIGNAL |   |   |   |   |   |   |    | POWER |    |     |     |     |     |  |
|---------------|------------------|-------|----|----|----|----|----|----|--------|---|---|---|---|---|---|----|-------|----|-----|-----|-----|-----|--|
|               |                  | P1    | P2 | P3 | P4 | P5 | P6 | P7 | 1      | 2 | 3 | 4 | 5 | 6 | 7 | 8  | P8    | P9 | P10 | P11 | P12 | P13 |  |
| 6600130-5     | D<br>C<br>B<br>A | PS    | PS | PS | PS | PS | PS | J  | J      | J | J | E | J | J | J | PS | PS    | PS | PS  | PS  | PS  |     |  |
|               |                  |       |    |    |    |    |    | K  | K      | F | K | K | K | K | K | PS | PS    | PS | PS  | PS  | PS  |     |  |
|               |                  |       |    |    |    |    |    | N  | N      | N | N | N | G | N | N | PS | PS    | PS | PS  | PS  | PS  |     |  |
|               |                  | HD    |    |    |    |    |    | S  |        | H |   | S |   | S |   |    |       |    |     |     |     | HD  |  |
| 7P + 32S + 6P |                  |       |    |    |    |    |    |    |        |   |   |   |   |   |   |    |       |    |     |     |     |     |  |

| PART NUMBER   | ROWS             | POWER |    |    |    |    |    | SIGNAL |   |   |   |   |    | POWER |    |    |     |     |  |    |  |  |
|---------------|------------------|-------|----|----|----|----|----|--------|---|---|---|---|----|-------|----|----|-----|-----|--|----|--|--|
|               |                  | P1    | P2 | P3 | P4 | P5 | P6 | 1      | 2 | 3 | 4 | 5 | 6  | P7    | P8 | P9 | P10 | P11 |  |    |  |  |
| 6600130-6     | D<br>C<br>B<br>A | PS    | PS | PS | PS | PS | J  | J      | J | J | E | J | PS | PS    | PS | PS |     |     |  |    |  |  |
|               |                  |       |    |    |    |    | K  | K      | F | K | K | K | PS | PS    | PS | PS |     |     |  |    |  |  |
|               |                  |       |    |    |    |    | N  | N      | N | N | N | G | PS | PS    | PS | PS |     |     |  |    |  |  |
|               |                  | HD    |    |    |    |    |    | S      |   | H |   | S |    |       |    |    |     |     |  | HD |  |  |
| 6P + 24S + 5P |                  |       |    |    |    |    |    |        |   |   |   |   |    |       |    |    |     |     |  |    |  |  |



| PART NUMBER     | ROWS             | POWER |    |    |    |    |    |    |    |    |     | SIGNAL |   |   |   |   |    | POWER |     |     |     |     |     |     |     |     |     |
|-----------------|------------------|-------|----|----|----|----|----|----|----|----|-----|--------|---|---|---|---|----|-------|-----|-----|-----|-----|-----|-----|-----|-----|-----|
|                 |                  | P1    | P2 | P3 | P4 | P5 | P6 | P7 | P8 | P9 | P10 | 1      | 2 | 3 | 4 | 5 | 6  | P11   | P12 | P13 | P14 | P15 | P16 | P17 | P18 | P19 | P20 |
| 6600130-8       | D<br>C<br>B<br>A | PS    | PS | PS | PS | PS | PS | PS | PS | PS | J   | J      | J | J | J | J | PS | PS    | PS  | PS  | PS  | PS  |     |     |     |     |     |
|                 |                  |       |    |    |    |    |    |    |    |    | K   | K      | K | K | K | K | PS | PS    | PS  | PS  | PS  | PS  |     |     |     |     |     |
|                 |                  |       |    |    |    |    |    |    |    |    | N   | N      | N | N | N | N | PS | PS    | PS  | PS  | PS  | PS  |     |     |     |     |     |
|                 |                  | HD    |    |    |    |    |    | S  |    | H  |     | S      |   | S |   |   |    |       |     |     |     |     |     | HD  |     |     |     |
| 10P + 24S + 12P |                  |       |    |    |    |    |    |    |    |    |     |        |   |   |   |   |    |       |     |     |     |     |     |     |     |     |     |



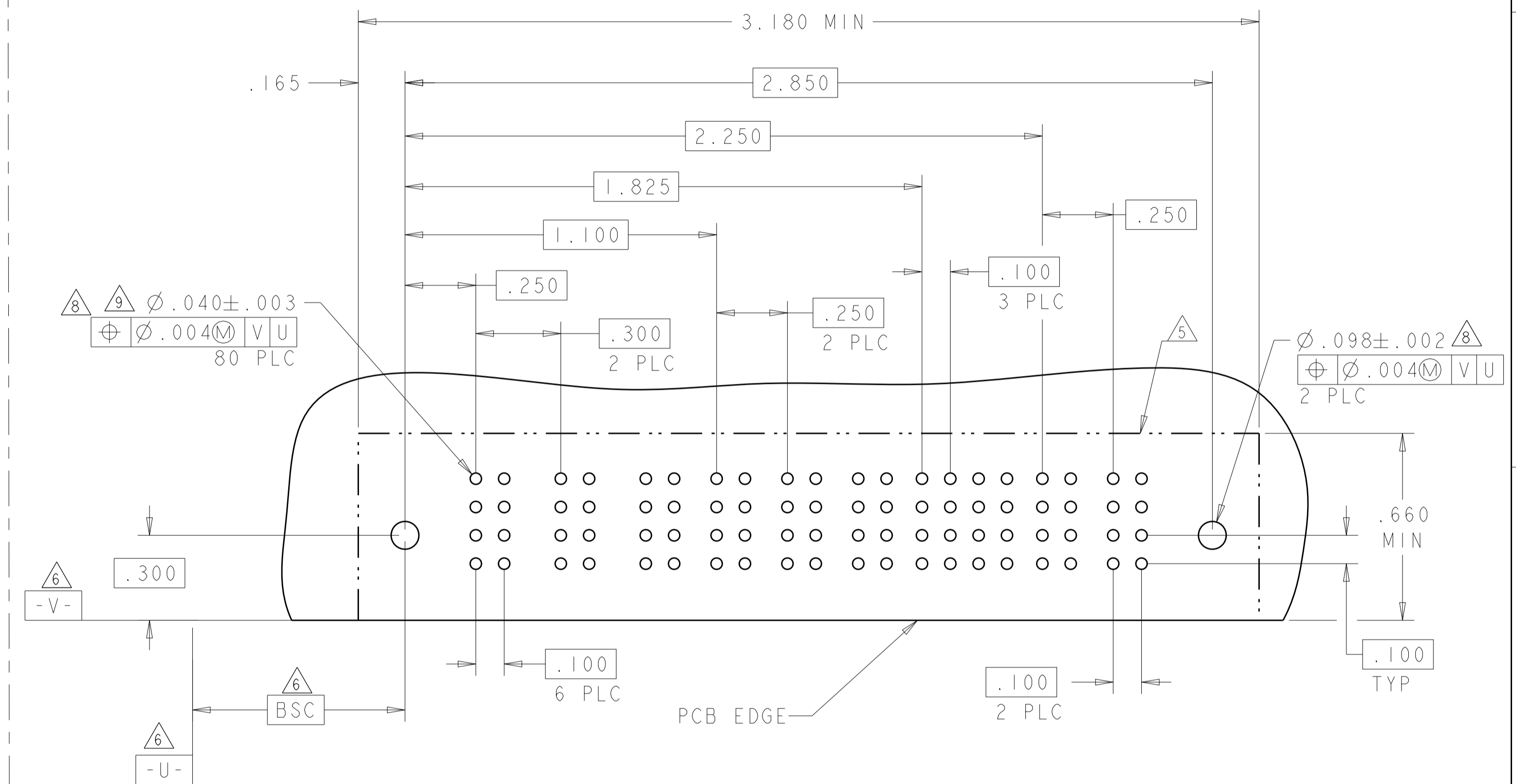
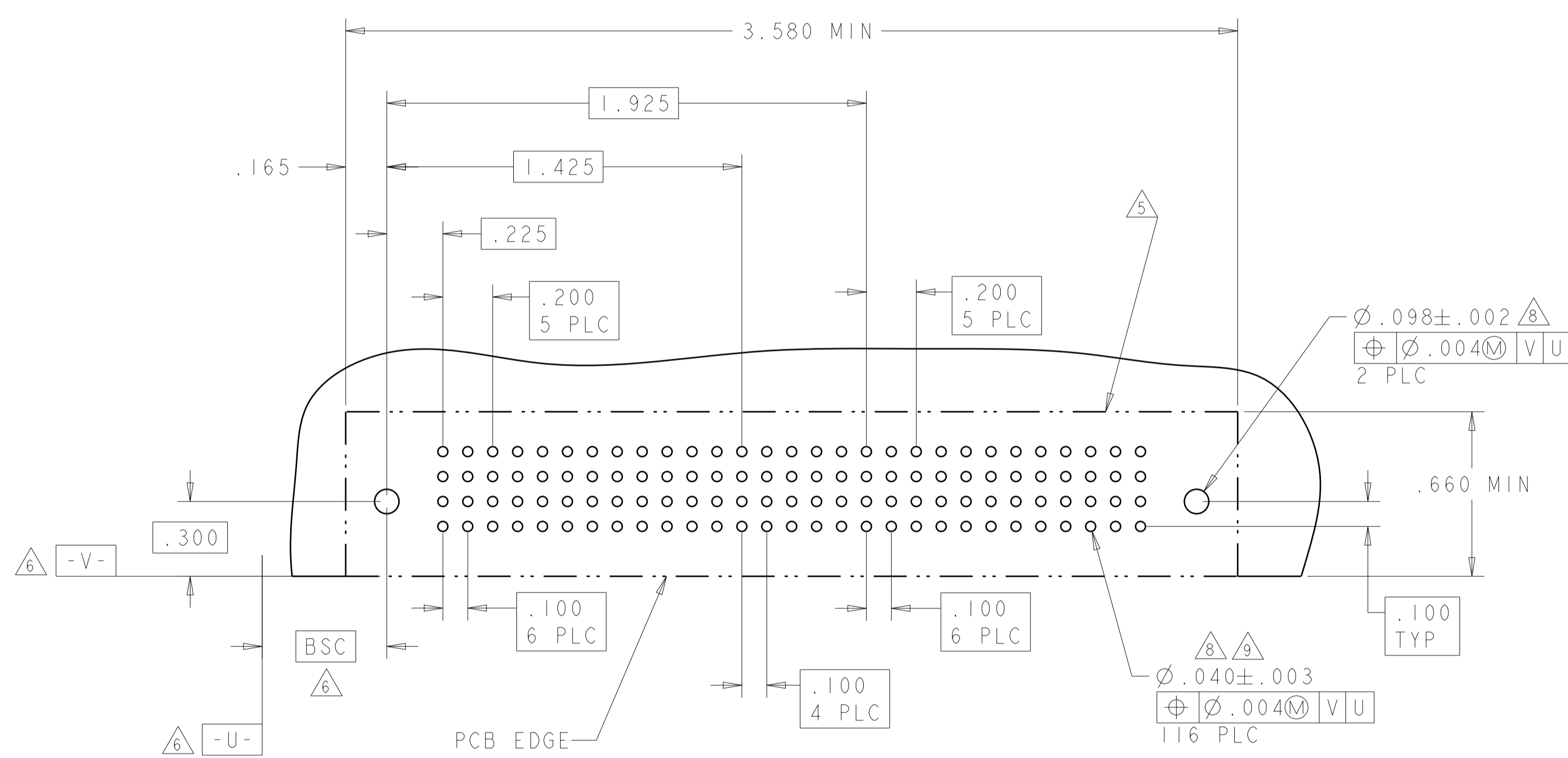
THIS DRAWING IS A CONTROLLED DOCUMENT.

|                       |  |   |                      |
|-----------------------|--|---|----------------------|
| DIMENSIONS:<br>INCHES | TOLERANCES UNLESS OTHERWISE SPECIFIED: | OWN: R. GRZYBOWSKI<br>CHK: M. PERCHERKE<br>APVD: M. PERCHERKE                 | OTIMAROS<br>OTIMAROS |
| MATERIAL              | FINISH                                 | NAME: RIGHT ANGLE HEADER ASSEMBLY<br>DUAL BEAM POWER CONTACT<br>MULTI-BEAM XL | RESTRICTED TO        |
| CUSTOMER DRAWING      |  | SCALE: 4:1  | SHEET 5 OF 13 REV F5 |

| REVISIONS |      |             |      |       |
|-----------|------|-------------|------|-------|
| P.        | LTN. | DESCRIPTION | DATE | APPV. |
| -         | -    | SEE SHEET 1 | -    | -     |

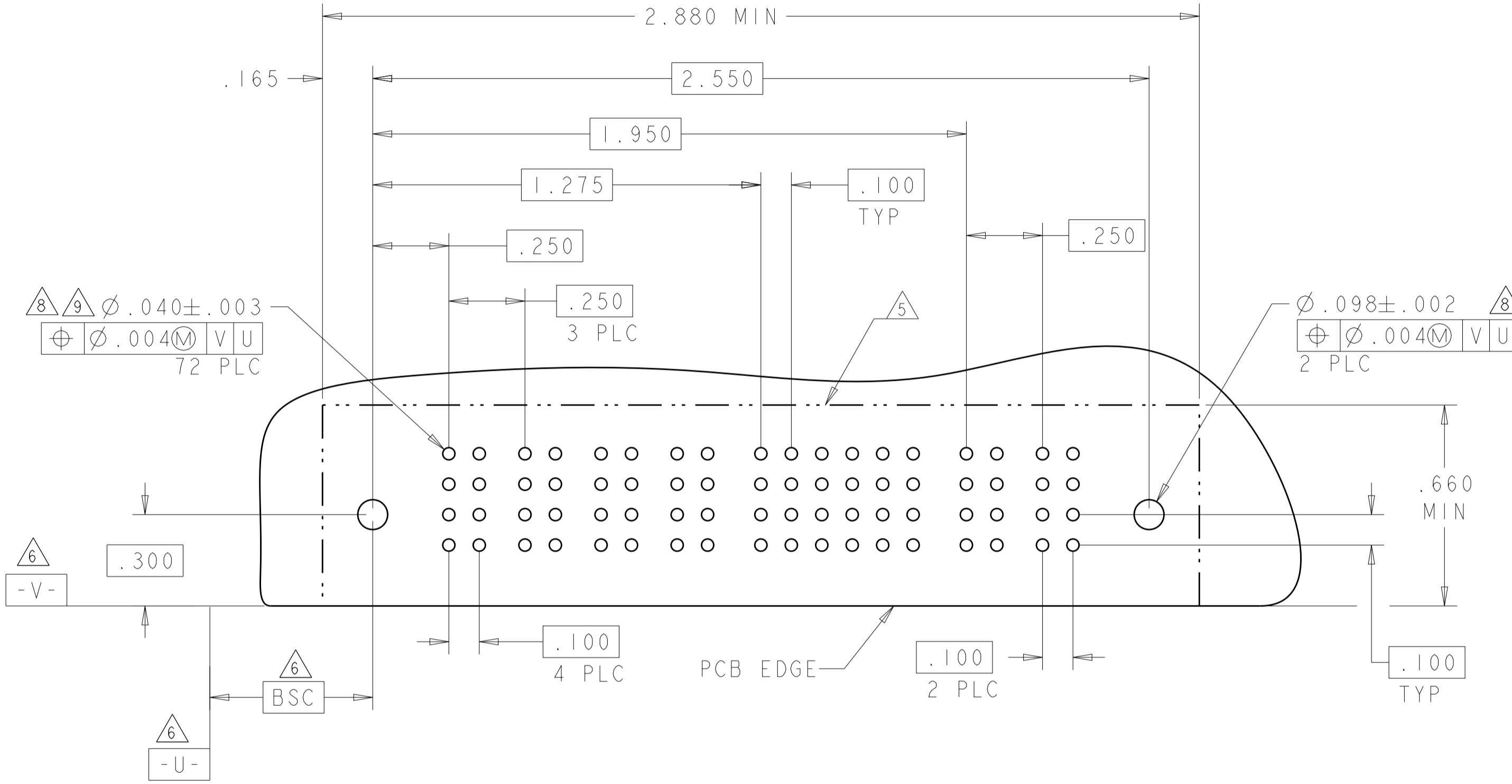
| PART NUMBER   | ROWS             | POWER |    |    |    |    |    | SIGNAL |   |   |   |   | POWER |    |    |     |     |     |    |  |  |
|---------------|------------------|-------|----|----|----|----|----|--------|---|---|---|---|-------|----|----|-----|-----|-----|----|--|--|
|               |                  | P1    | P2 | P3 | P4 | P5 | P6 | 1      | 2 | 3 | 4 | 5 | P7    | P8 | P9 | P10 | P11 | P12 |    |  |  |
| I-6600130-1   | D<br>C<br>B<br>A | HD    | TS | TS | TS | TS | TS | TS     | E | J | J | J | J     | TS | TS | TS  | TS  | TS  | TS |  |  |
|               |                  |       |    |    |    |    |    |        | F | K | K | K | K     |    |    |     |     |     |    |  |  |
|               |                  |       |    |    |    |    |    |        | G | N | N | N | N     |    |    |     |     |     |    |  |  |
|               |                  |       |    |    |    |    |    |        | H | S | S | S | H     |    |    |     |     |     |    |  |  |
| 6P + 20S + 6P |                  |       |    |    |    |    |    |        |   |   |   |   |       |    |    |     |     |     |    |  |  |

| PART NUMBER   | ROWS             | POWER |    |    |    |    |    | SIGNAL |   |   |   | POWER |    |    |
|---------------|------------------|-------|----|----|----|----|----|--------|---|---|---|-------|----|----|
|               |                  | P1    | P2 | P3 | P4 | P5 | P6 | 1      | 2 | 3 | 4 | P7    | P8 |    |
| I-6600130-3   | D<br>C<br>B<br>A | HD    | PS | PS | PS | PS | PS | PS     | E | E | E | E     | PS | PS |
|               |                  |       |    |    |    |    |    |        | F | F | F | F     |    |    |
|               |                  |       |    |    |    |    |    |        | N | N | N | N     |    |    |
|               |                  |       |    |    |    |    |    |        | H | H | H | H     |    |    |
| 6P + 16S + 2P |                  |       |    |    |    |    |    |        |   |   |   |       |    |    |



|  |  |   |   |   |   |
|--|--|---|---|---|---|
| THIS DRAWING IS A CONTROLLED DOCUMENT. |  | DWN: R. GRZYBOWSKI<br>CHK: M. PERCHERKE<br>APVD: M. PERCHERKE | DIMENSIONS: INCHES<br>TOLERANCES UNLESS OTHERWISE SPECIFIED:<br>0 PLC ±.<br>1 PLC ±.01<br>2 PLC ±.01<br>3 PLC ±.005<br>4 PLC ±.0020<br>ANGLES ±.2°<br>FINISH: | NAME: RIGHT ANGLE HEADER ASSEMBLY<br>PRODUCT SPEC: DUAL BEAM POWER CONTACT<br>APPLICATION SPEC: MULTI-BEAM XL<br>SIZE: A1<br>CAGE CODE: 6600130<br>DRAWING NO: 114-13038<br>WEIGHT: | DATE: 108-1973<br>SCALE: 4:1<br>SHEET: 6 OF 13<br>REV: F5 |
|--|--|---|---|---|---|

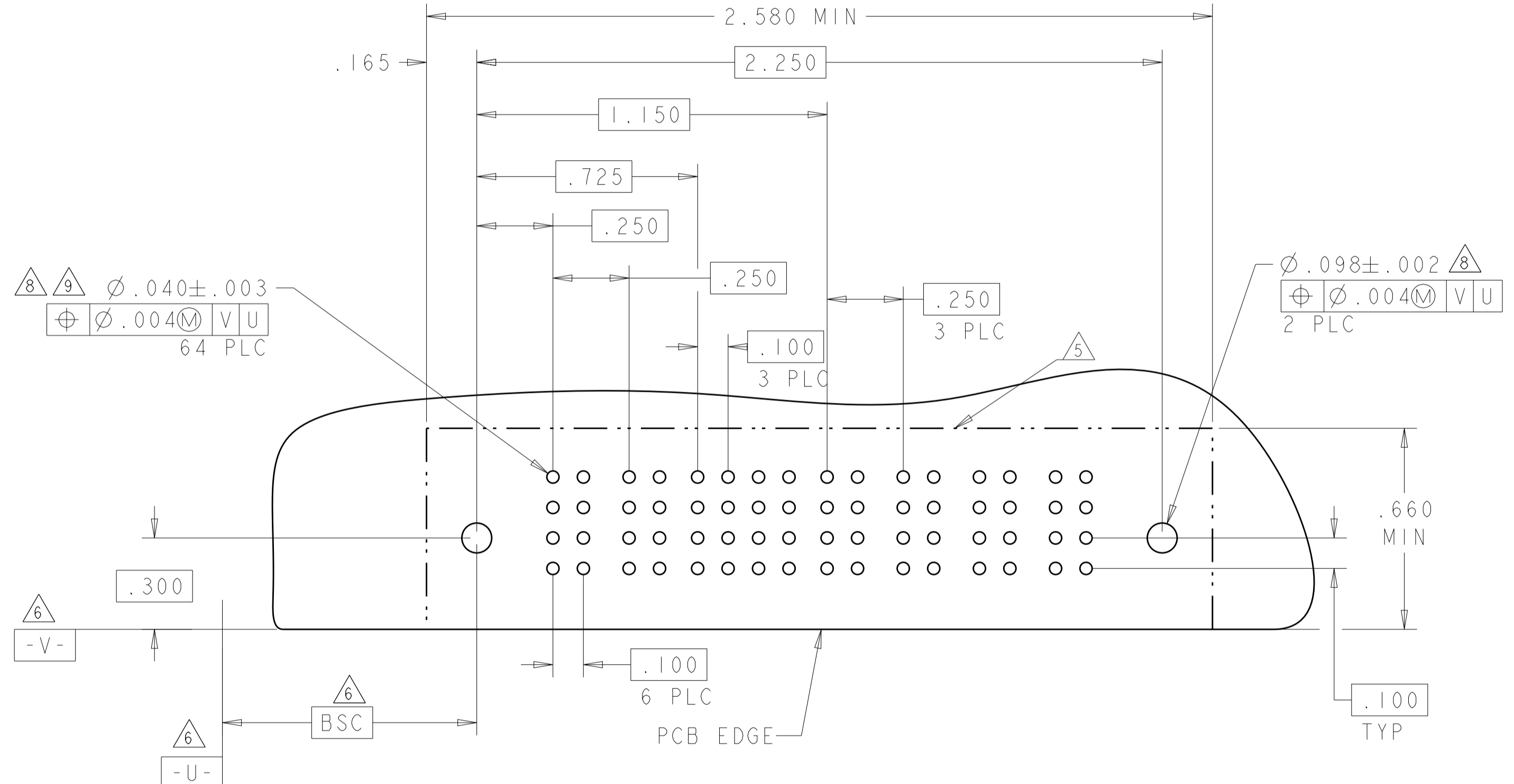
| PART NUMBER   | ROWS             | POWER |    |    |    | SIGNAL |   |   |   |   |   | POWER |    |
|---------------|------------------|-------|----|----|----|--------|---|---|---|---|---|-------|----|
|               |                  | P1    | P2 | P3 | P4 | 1      | 2 | 3 | 4 | 5 | 6 | P5    | P6 |
| 1-6600130-4   | D<br>C<br>B<br>A | PS    | PS | PS | PS | J      | J | J | J | J | J | PS    | PS |
|               |                  |       |    |    |    | K      | K | K | K | K | K |       |    |
|               |                  |       |    |    |    | N      | N | N | N | N | N |       |    |
| 4P + 24S + 2P |                  |       |    |    |    | S      | S | S | S | S | S |       |    |



| REVISIONS |     |             |      |      |
|-----------|-----|-------------|------|------|
| P         | LTN | DESCRIPTION | DATE | APPD |
| -         | -   | SEE SHEET 1 | -    | -    |

| PART NUMBER   | ROWS             | POWER |    | SIGNAL |   |   |   | POWER |    |    |    |
|---------------|------------------|-------|----|--------|---|---|---|-------|----|----|----|
|               |                  | P1    | P2 | 1      | 2 | 3 | 4 | P5    | P6 | P5 | P6 |
| 1-6600130-5   | D<br>C<br>B<br>A | PS    | PS | J      | J | J | J | PS    | PS | PS | PS |
|               |                  |       |    | K      | K | K | K |       |    |    |    |
|               |                  |       |    | N      | N | N | N |       |    |    |    |
| 2P + 24S + 4P |                  |       |    | S      | S | S | S |       |    |    |    |

| PART NUMBER   | ROWS             | POWER |    | SIGNAL |   |   |   | POWER |    |    |    |
|---------------|------------------|-------|----|--------|---|---|---|-------|----|----|----|
|               |                  | P1    | P2 | 1      | 2 | 3 | 4 | P5    | P6 | P5 | P6 |
| 2-6600130-0   | D<br>C<br>B<br>A | PS    | PS | J      | J | J | J | PS    | PS | PS | PS |
|               |                  |       |    | K      | K | K | K |       |    |    |    |
|               |                  |       |    | N      | N | N | N |       |    |    |    |
| 2P + 16S + 4P |                  |       |    | S      | S | S | S |       |    |    |    |

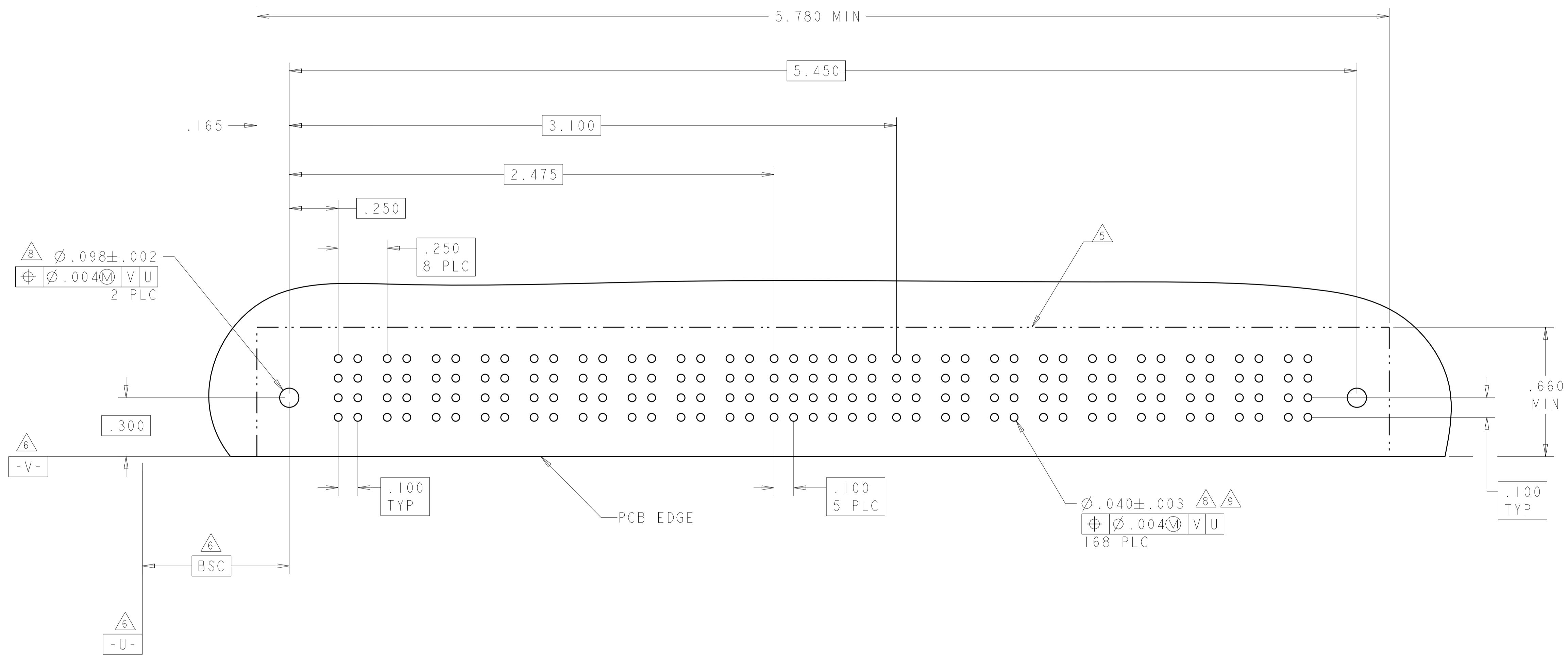


1-6600130-5 AND 2-66600130-0 PCB LAYOUT

|  |  |  |  |  |  |  |  |
|--|--|--|--|--|--|--|--|
| THIS DRAWING IS A CONTROLLED DOCUMENT.   |  | DWN: R. GRZYBOWSKI<br>CHK: M. PERCHERKE  |  | DIMAROS  |  | TE Connectivity  |  |
| DIMENSIONS: INCHES   |  | TOLERANCES UNLESS OTHERWISE SPECIFIED:   |  | APVD: M. PERCHERKE   |  | NAME: RIGHT ANGLE HEADER ASSEMBLY  |  |
| 0 PLC ±<br>1 PLC ±.01<br>2 PLC ±.01<br>3 PLC ±.005<br>4 PLC ±.0020<br>ANGLES ±.020 |  | 0 PLC ±<br>1 PLC ±.01<br>2 PLC ±.01<br>3 PLC ±.005<br>4 PLC ±.0020<br>ANGLES ±.020 |  | PRODUCT SPEC: 108-1973<br>APPLICATION SPEC: 114-13038<br>WEIGHT: -<br>CUSTOMER DRAWING |  | DUAL BEAM POWER CONTACT<br>MULTI-BEAM XL<br>SIZE: A1<br>CAGE CODE: C=6600130<br>SCALE: 4:1<br>SHEET 7 OF 13<br>REV: F5 |  |

| REVISIONS |      |             |      |       |
|-----------|------|-------------|------|-------|
| P.        | LTN. | DESCRIPTION | DATE | APVD. |
| -         | -    | SEE SHEET 1 | -    | -     |
|           |      |             |      |       |
|           |      |             |      |       |

| PART NUMBER   | ROWS | POWER |    |    |    |    |    |    |    |    | SIGNAL |   |   |   |    |   | POWER |     |     |     |     |     |     |     |     |
|---------------|------|-------|----|----|----|----|----|----|----|----|--------|---|---|---|----|---|-------|-----|-----|-----|-----|-----|-----|-----|-----|
|               |      | P1    | P2 | P3 | P4 | P5 | P6 | P7 | P8 | P9 | 1      | 2 | 3 | 4 | 5  | 6 | P10   | P11 | P12 | P13 | P14 | P15 | P16 | P17 | P18 |
| 1-6600130-6   | D    | PS    | PS | PS | PS | PS | PS | PS | PS | PS | J      | J | J | J | J  | J | PS    | PS  | PS  | PS  | PS  | PS  | PS  | PS  | PS  |
|               | K    |       |    |    |    |    |    |    |    |    | K      | K | K | K | K  |   |       |     |     |     |     |     |     |     |     |
|               | N    |       |    |    |    |    |    |    |    |    | N      | N | N | N | N  |   |       |     |     |     |     |     |     |     |     |
| A             | HD   | S     | S  | S  | S  | S  | S  | S  | S  | S  | S      | S | S | S | HD |   |       |     |     |     |     |     |     |     |     |
| 9P + 24S + 9P |      |       |    |    |    |    |    |    |    |    |        |   |   |   |    |   |       |     |     |     |     |     |     |     |     |



|  |  |  |   |   |
|--|--|--|---|---|
| THIS DRAWING IS A CONTROLLED DOCUMENT. |  | DWN: R. GRZYBOWSKI<br>CHK: M. PERCHERKE<br>APVD: M. PERCHERKE                    | DIMAROS<br>DIMAROS<br>DIMAROS                               | TE Connectivity   |
| DIMENSIONS:<br>INCHES                  | TOLERANCES UNLESS OTHERWISE SPECIFIED:<br>0 PLC ±.<br>1 PLC ±.01<br>2 PLC ±.01<br>3 PLC ±.005<br>4 PLC ±.0020<br>ANGLES ±.2° | NAME:<br>RIGHT ANGLE HEADER ASSEMBLY<br>DUAL BEAM POWER CONTACT<br>MULTI-BEAM XL | PRODUCT SPEC:<br>108-1973<br>APPLICATION SPEC:<br>114-13038 |   |
| MATERIAL:                              | FINISH:  | WEIGHT:  | SIZE: A1<br>CAGE CODE: -<br>DRAWING NO: C=6600130           | RESTRICTED TO:<br>SCALE: 4:1<br>SHEET: 8 OF 13<br>REV: F5 |
| CUSTOMER DRAWING                       |  |  |   |   |

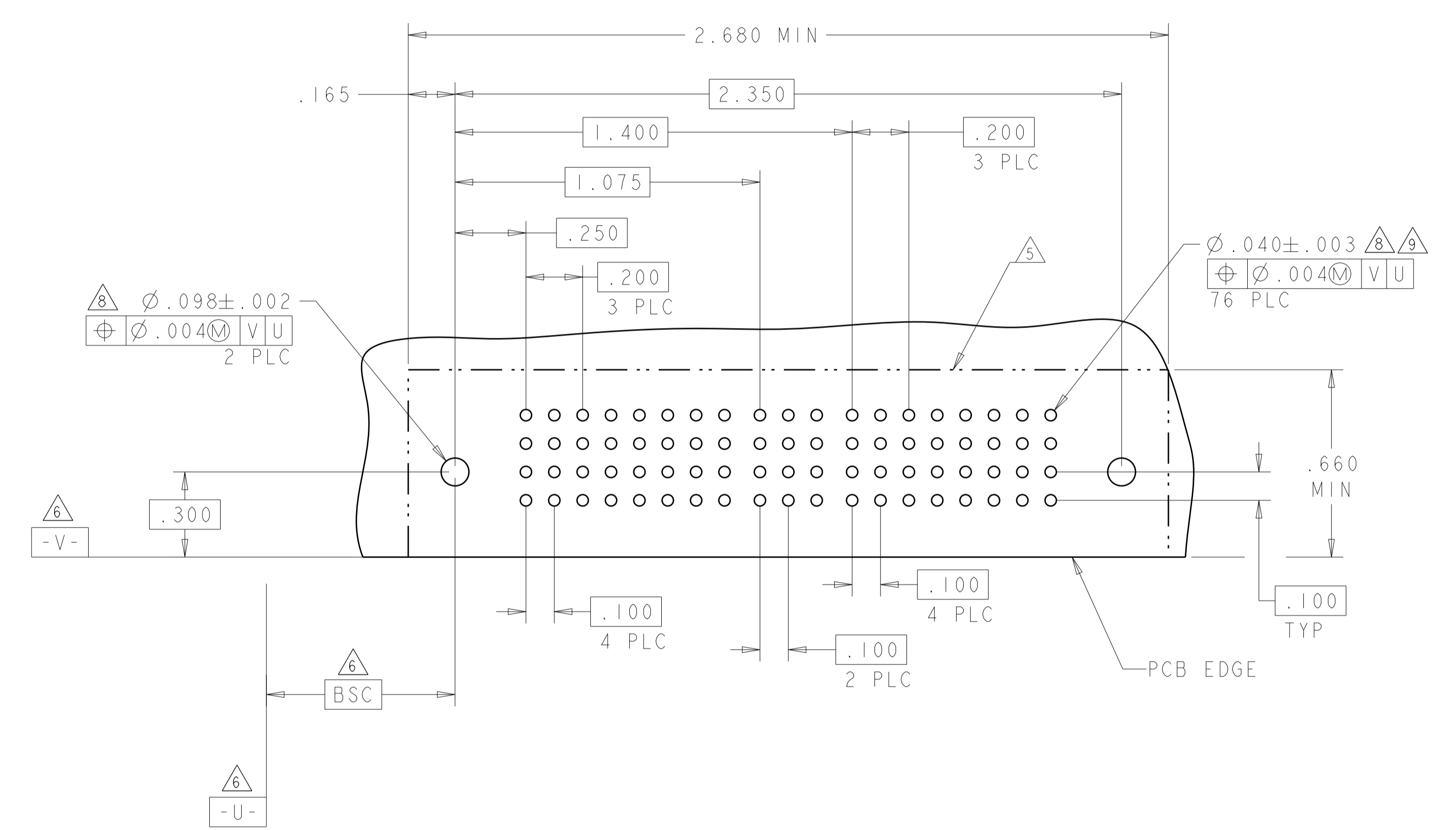
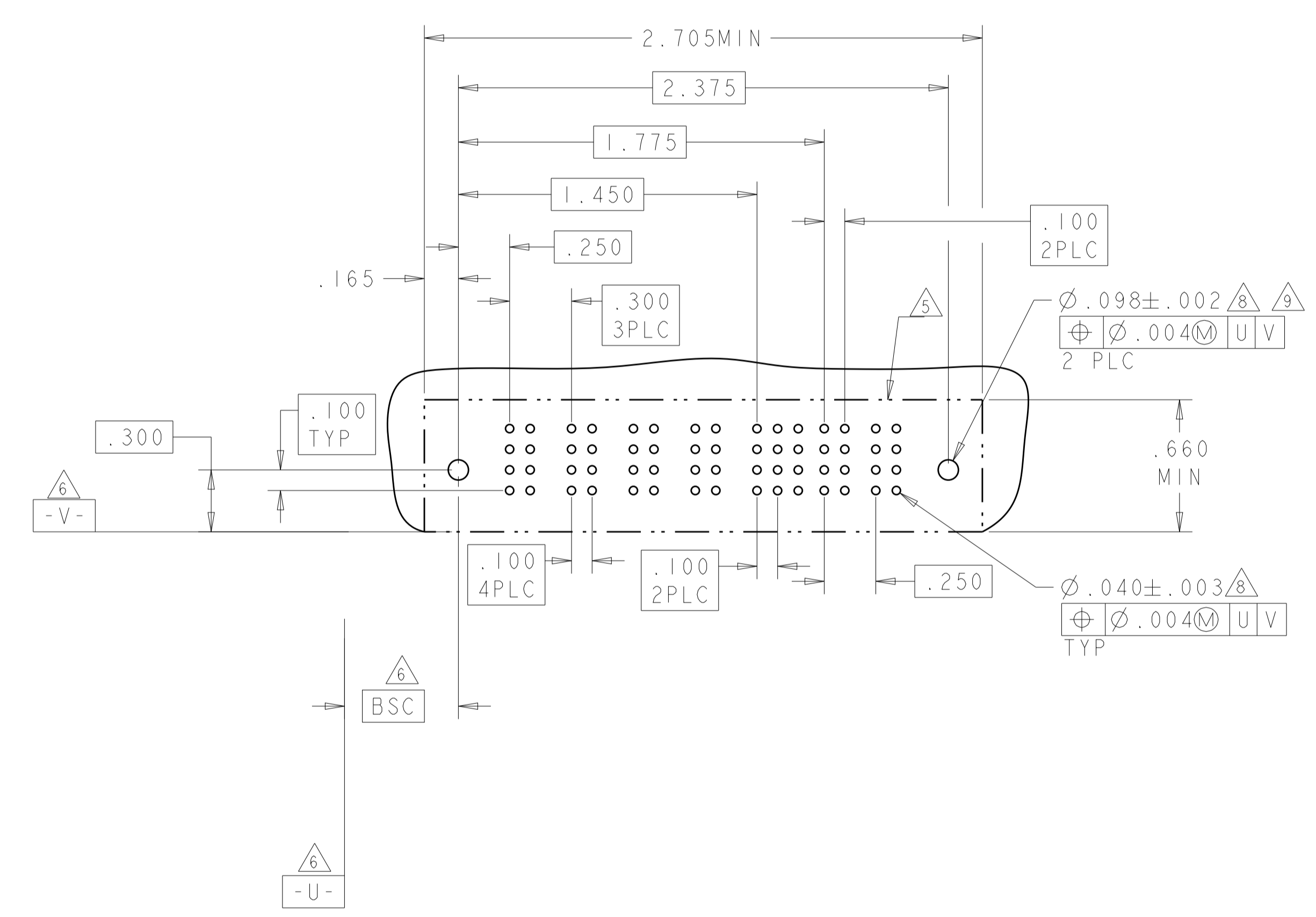




| REVISIONS |      |             |      |        |
|-----------|------|-------------|------|--------|
| P.        | LTN. | DESCRIPTION | DATE | APP'D. |
| -         | -    | SEE SHEET 1 | -    | -      |

| PART NUMBER     | ROWS             | POWER |    |    |    | SIGNAL |   |   | POWER |    |
|-----------------|------------------|-------|----|----|----|--------|---|---|-------|----|
|                 |                  | P1    | P2 | P3 | P4 | 1      | 2 | 3 | P5    | P6 |
| 1-6600130-9     | D<br>C<br>B<br>A | PS    | PS | PS | PS | E      | E | E | PS    | PS |
|                 |                  |       |    |    |    | F      | F | F |       |    |
|                 |                  |       |    |    |    | N      | N | N |       |    |
|                 |                  |       |    |    |    | H      | H | H |       |    |
| 4ACP + 12S + 2P |                  |       |    |    |    |        |   |   |       |    |

| PART NUMBER   | ROWS             | POWER |    |    |    | SIGNAL |   |   | POWER |    |    |    |
|---------------|------------------|-------|----|----|----|--------|---|---|-------|----|----|----|
|               |                  | P1    | P2 | P3 | P4 | 1      | 2 | 3 | P5    | P6 | P7 | P8 |
| 2-6600130-1   | D<br>C<br>B<br>A | PS    | PS | PS | PS | J      | J | J | PS    | PS | PS | PS |
|               |                  |       |    |    |    | K      | F | K |       |    |    |    |
|               |                  |       |    |    |    | N      | N | N |       |    |    |    |
|               |                  |       |    |    |    | S      | S | S |       |    |    |    |
| 4P + 12S + 4P |                  |       |    |    |    |        |   |   |       |    |    |    |

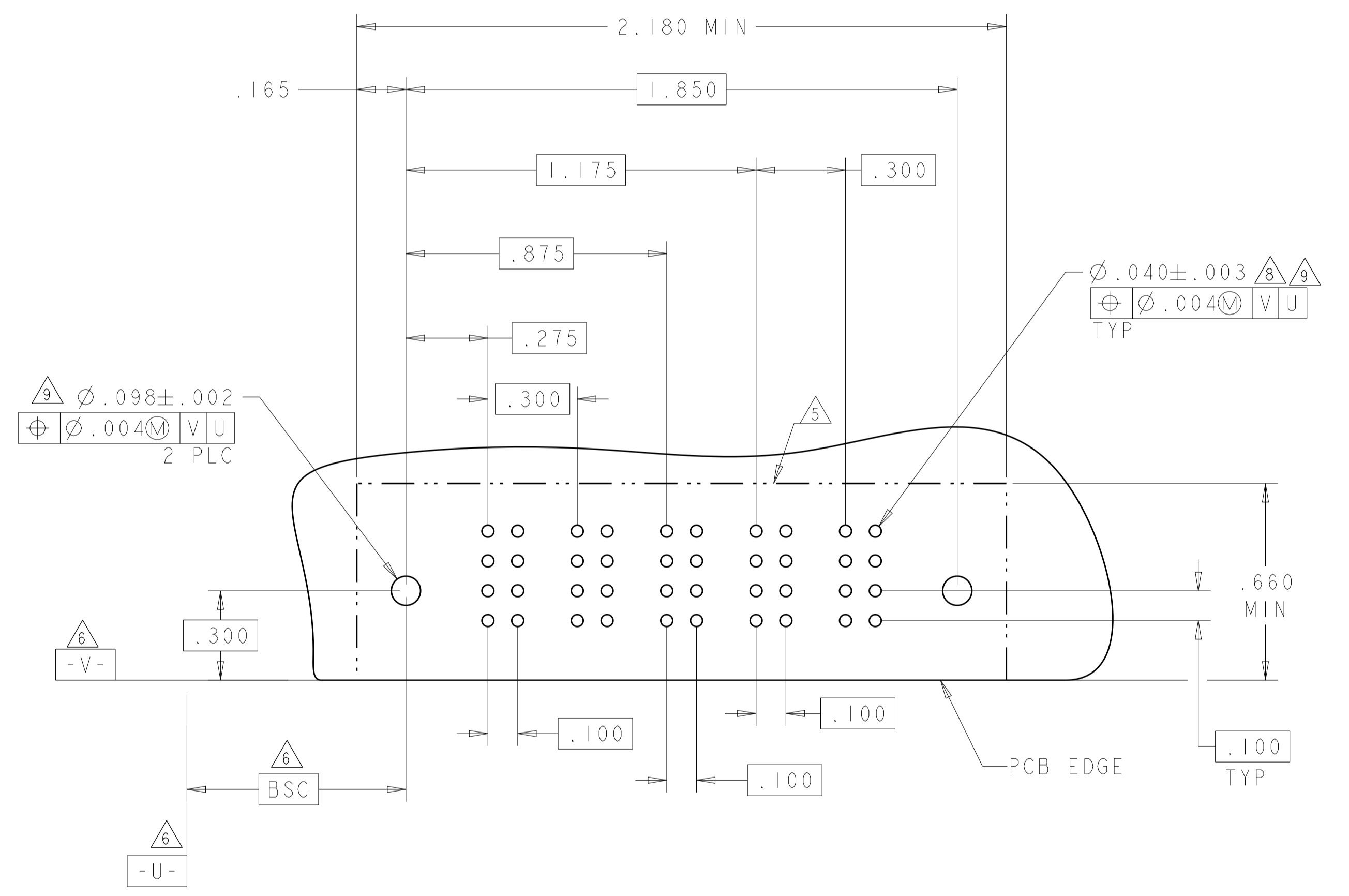
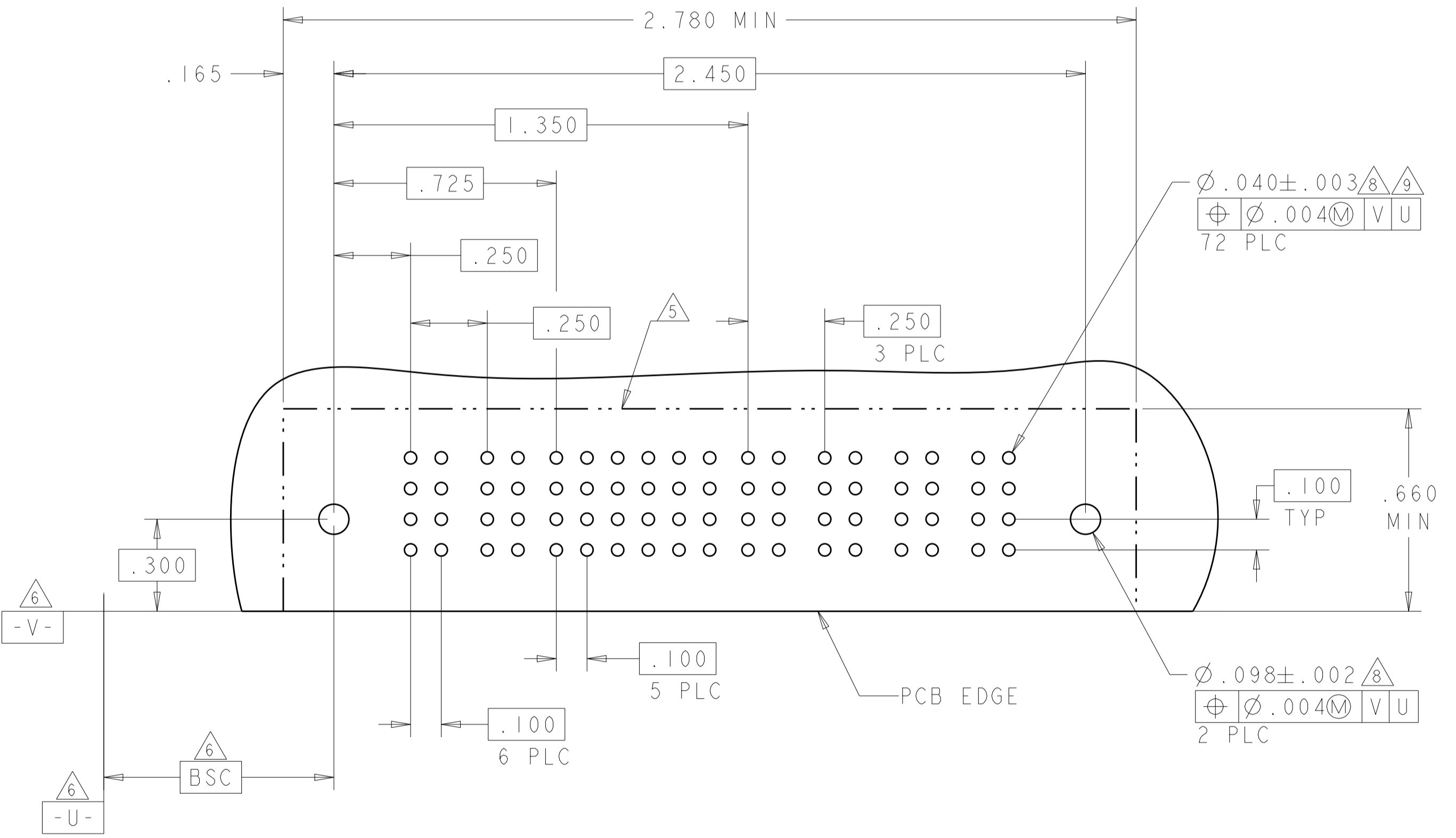


|  |   |  |   |                          |
|--|---|--|---|--------------------------|
| THIS DRAWING IS A CONTROLLED DOCUMENT. |   | DWN: B. GRZYBOWSKI<br>CHK: M. PERCHERKE<br>APVD: M. PERCHERKE                    | DIMAROS<br>DIMAROS<br>DIMAROS                               | TE Connectivity          |
| DIMENSIONS:<br>INCHES                  | TOLERANCES UNLESS OTHERWISE SPECIFIED:<br>0 PLC ±<br>1 PLC ±.01<br>2 PLC ±.01<br>3 PLC ±.005<br>4 PLC ±.0020<br>ANGLES ±.2° | NAME:<br>RIGHT ANGLE HEADER ASSEMBLY<br>DUAL BEAM POWER CONTACT<br>MULTI-BEAM XL | PRODUCT SPEC:<br>108-1973<br>APPLICATION SPEC:<br>114-13038 |                          |
| MATERIAL:                              | FINISH:   | WEIGHT:  | SCALE: 4:1  | SHEET 10 OF 13<br>REV F5 |

| REVISIONS |      |             |      |       |
|-----------|------|-------------|------|-------|
| P.        | LTN. | DESCRIPTION | DATE | APPD. |
| -         | -    | SEE SHEET 1 | -    | -     |
|           |      |             |      |       |
|           |      |             |      |       |

| PART NUMBER   | ROWS | POWER |    | SIGNAL |   |   |   |   |   | POWER |    |    |    |
|---------------|------|-------|----|--------|---|---|---|---|---|-------|----|----|----|
|               |      | P1    | P2 | 1      | 2 | 3 | 4 | 5 | 6 | P3    | P4 | P5 | P6 |
| 2-6600130-2   | D    | PS    | PS | J      | J | J | J | J | J | PS    | PS | PS | PS |
|               | C    |       |    | K      | K | K | K | K | K |       |    |    |    |
|               | B    |       |    | N      | N | N | N | N | N |       |    |    |    |
|               | A    |       |    | S      | S | S | S | S | S |       |    |    |    |
| 2P + 24S + 4P |      |       |    |        |   |   |   |   |   |       |    |    |    |

| PART NUMBER      | ROWS | POWER |    | SIGNAL |   | POWER |    |
|------------------|------|-------|----|--------|---|-------|----|
|                  |      | P1    | P2 | 1      | 2 | P3    | P4 |
| 2-6600130-4      | D    | PS    | PS | J      | J | PS    | PS |
|                  | C    |       |    | K      | K |       |    |
|                  | B    |       |    | N      | N |       |    |
|                  | A    |       |    | S      | S |       |    |
| 2ACP + 8S + 2ACP |      |       |    |        |   |       |    |



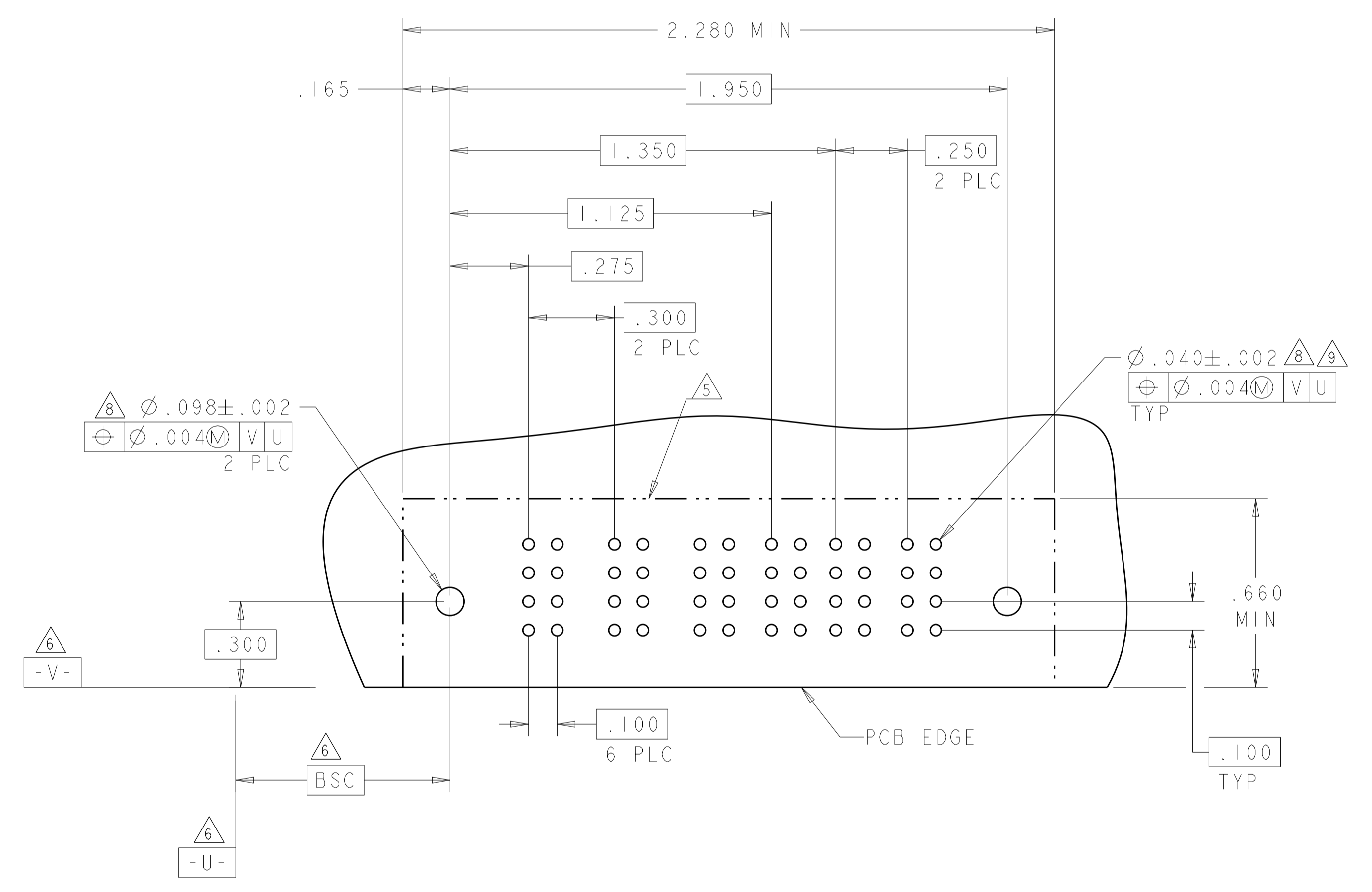
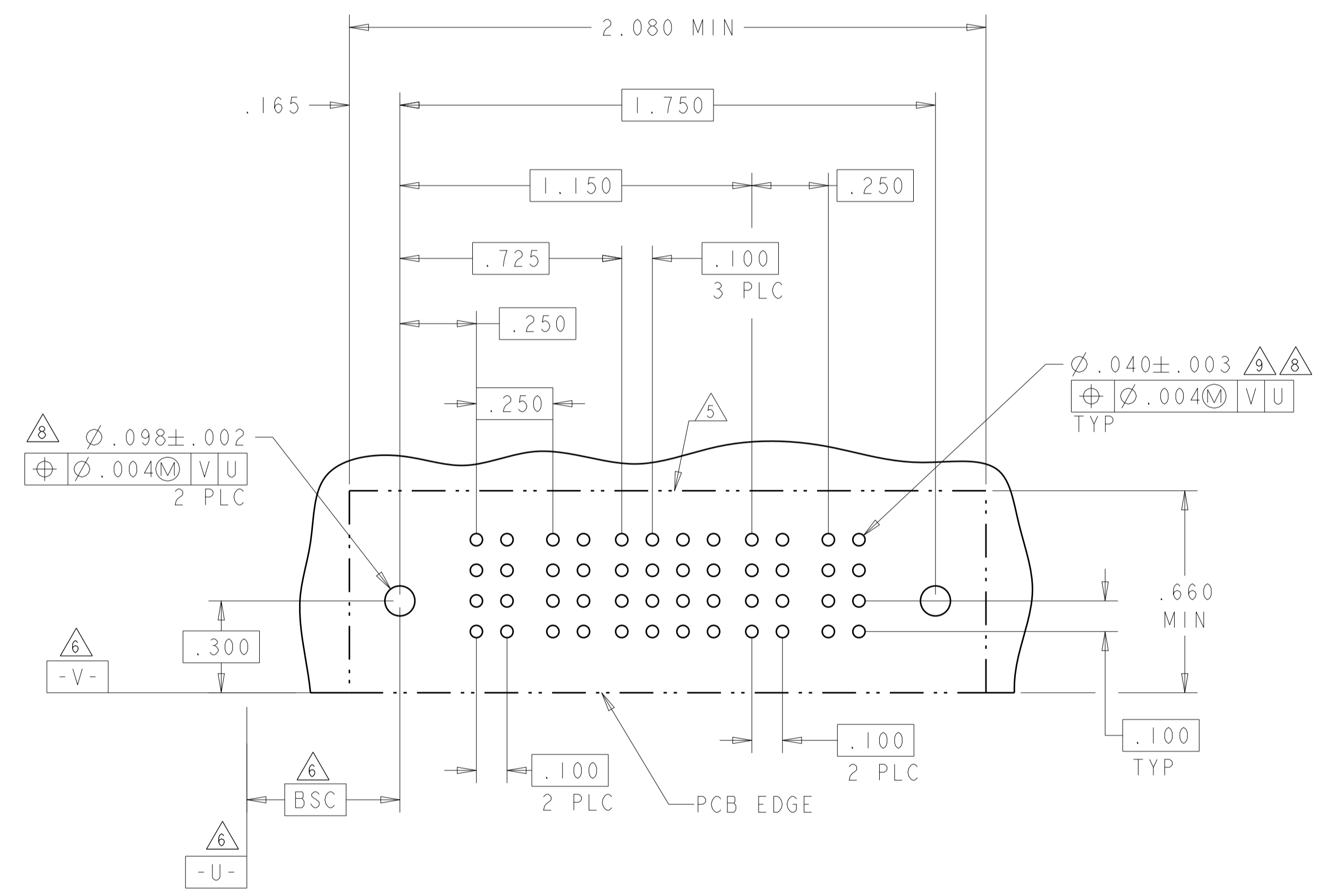
THIS DRAWING IS A CONTROLLED DOCUMENT.

|                       |  |  |   |   |
|-----------------------|--|--|---|---|
| DIMENSIONS:<br>INCHES | TOLERANCES UNLESS OTHERWISE SPECIFIED:<br>0 PLC ±.<br>2 PLC ±.01<br>3 PLC ±.005<br>4 PLC ±.0020<br>ANGLES ±.7° | DWN: B. GRZYBOWSKI<br>CHK: M. PERCHERKE<br>APVD: M. PERCHERKE      | OTIMAROS<br>OTIMAROS                              | NAME: RIGHT ANGLE HEADER ASSEMBLY<br>DUAL BEAM POWER CONTACT<br>MULTI-BEAM XL |
| MATERIAL: -           | FINISH: -  | PRODUCT SPEC: 108-1973<br>APPLICATION SPEC: 114-13038<br>WEIGHT: - | SIZE: A1<br>CAGE CODE: -<br>DRAWING NO: C=6600130 | RESTRICTED TO: -  |
| CUSTOMER DRAWING      |  | SCALE: 4:1 SHEET 11 OF 13 REV: F5                                  |   |   |

| REVISIONS |      |             |      |       |
|-----------|------|-------------|------|-------|
| P.        | LTN. | DESCRIPTION | DATE | APVD. |
| -         | -    | SEE SHEET 1 | -    | -     |
|           |      |             |      |       |
|           |      |             |      |       |

| PART NUMBER   | ROWS | POWER |    | SIGNAL |   |   |   | POWER |    |
|---------------|------|-------|----|--------|---|---|---|-------|----|
|               |      | P1    | P2 | 1      | 2 | 3 | 4 | P3    | P4 |
| 2-6600130-5   | D    | PS    | PS | E      | J | J | J | PS    | PS |
|               | C    |       |    | K      | K | K | K |       |    |
|               | B    |       |    | N      | N | N | N |       |    |
|               | A    |       |    | S      | S | S | S |       |    |
| 2P + 16S + 2P |      |       |    |        |   |   |   |       |    |

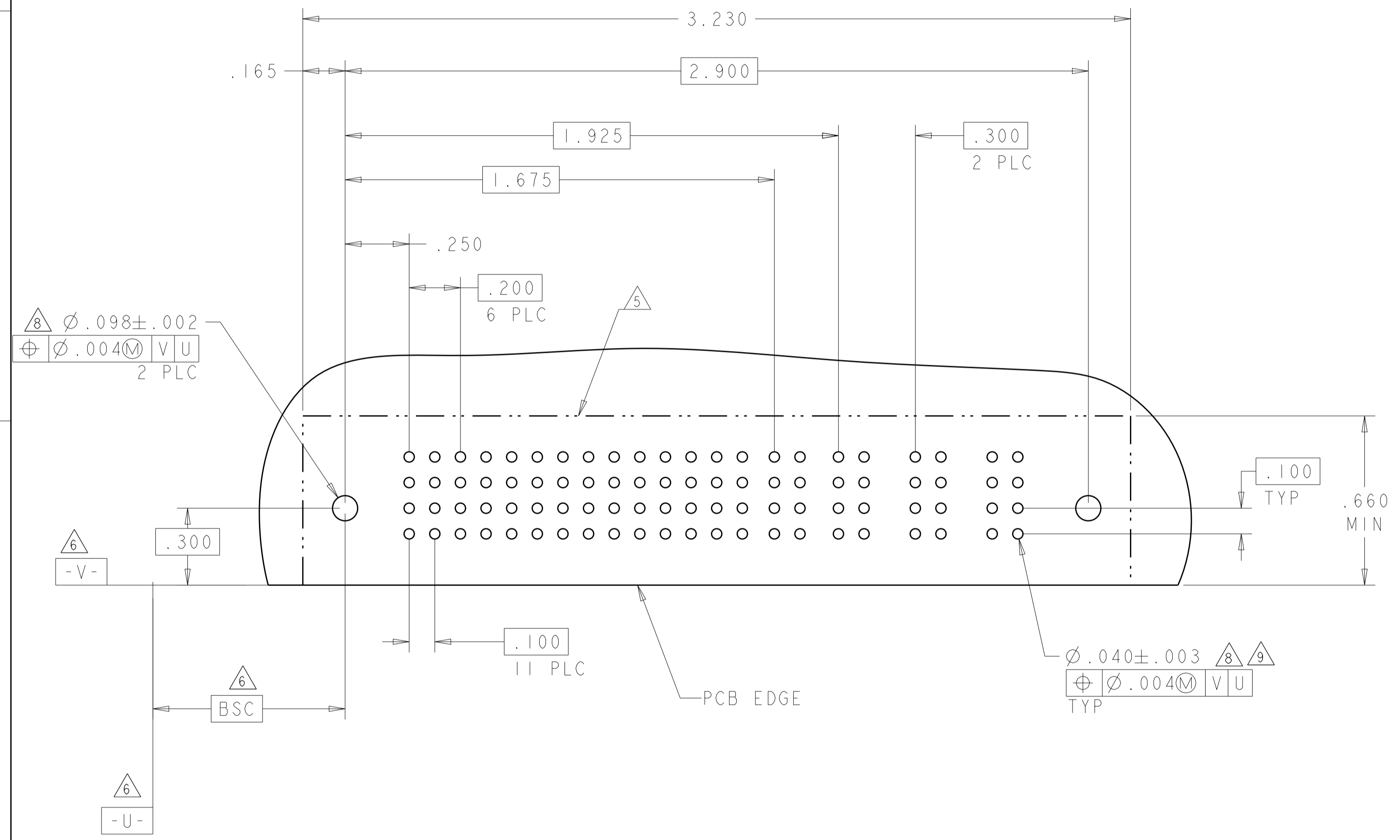
| PART NUMBER    | ROWS | POWER |    |    | SIGNAL |   | POWER |    |
|----------------|------|-------|----|----|--------|---|-------|----|
|                |      | P1    | P2 | P3 | 1      | 2 | P4    | P5 |
| 2-6600130-6    | D    | PS    | PS | PS | J      | J | PS    | PS |
|                | C    |       |    |    | K      | K |       |    |
|                | B    |       |    |    | N      | N |       |    |
|                | A    |       |    |    | H      | S |       |    |
| 3ACP + 8S + 2P |      |       |    |    |        |   |       |    |



|  |  |   |                               |                      |
|--|--|---|-------------------------------|----------------------|
| THIS DRAWING IS A CONTROLLED DOCUMENT. |  | DWN: R. GRZYBOWSKI<br>CHK: M. PERCHERKE<br>APVD: M. PERCHERKE | OTMAROS<br>OTMAROS            | <br>TE Connectivity  |
| DIMENSIONS:<br>INCHES                  | TOLERANCES UNLESS OTHERWISE SPECIFIED: | PRODUCT SPEC<br>108-1973                                      | APPLICATION SPEC<br>114-13038 |                      |
| MATERIAL                               | FINISH                                 | WEIGHT  | SIZE<br>A1                    | CAGE CODE<br>6600130 |
| CUSTOMER DRAWING                       |  | SCALE<br>4:1  | SHEET<br>12                   | OF<br>13             |
|  |  |   |                               | REV<br>F5            |

| REVISIONS |      |             |      |       |
|-----------|------|-------------|------|-------|
| P.        | LTN. | DESCRIPTION | DATE | APVD. |
| -         | -    | SEE SHEET 1 | -    | -     |
|           |      |             |      |       |
|           |      |             |      |       |

| PART NUMBER      | ROWS | POWER |    |    |    |    |    |    | SIGNAL |   | POWER |    |     |
|------------------|------|-------|----|----|----|----|----|----|--------|---|-------|----|-----|
|                  |      | P1    | P2 | P3 | P4 | P5 | P6 | P7 | 1      | 2 | P8    | P9 | P10 |
| 2-6600130-7      | D    | PS    | PS | PS | PS | PS | PS | PS | E      | E | PS    | PS | PS  |
|                  | C    |       |    |    |    |    |    |    | F      | F |       |    |     |
|                  | B    |       |    |    |    |    |    |    | G      | G |       |    |     |
|                  | A    |       |    |    |    |    |    |    | H      | H |       |    |     |
| 7HDP + 8S + 3ACP |      | HD    |    |    |    |    |    |    |        |   | HD    |    |     |



|   |   |  |  |                     |
|---|---|--|--|---------------------|
| THIS DRAWING IS A CONTROLLED DOCUMENT.  |   | DWN: B. GRZYBOWSKI<br>CHK: M. PERCHERKE<br>APVD: M. PERCHERKE  | OTMAROS<br>OTMAROS   | <br>TE Connectivity |
| DIMENSIONS:<br>INCHES   | TOLERANCES UNLESS OTHERWISE SPECIFIED:  | NAME: RIGHT ANGLE HEADER ASSEMBLY<br>PRODUCT SPEC: 108-1973<br>APPLICATION SPEC: 114-13038<br>WEIGHT: -<br>FINISH: - |  |                     |
| 0 PLC ±<br>1 PLC ±.01<br>2 PLC ±.01<br>3 PLC ±.005<br>4 PLC ±.0020<br>ANGLES ±.2° | 0 PLC ±<br>1 PLC ±.01<br>2 PLC ±.01<br>3 PLC ±.005<br>4 PLC ±.0020<br>ANGLES ±.2° | SIZE: A1<br>CAGE CODE: -<br>DRAWING NO: C=6600130  | RESTRICTED TO: -<br>SCALE: 4:1<br>SHEET: 13 OF 13<br>REV: F5 |                     |
| MATERIAL: -   |   | CUSTOMER DRAWING   |  |                     |

单击下面可查看定价，库存，交付和生命周期等信息

[>>TE Connectivity\(泰科\)](#)