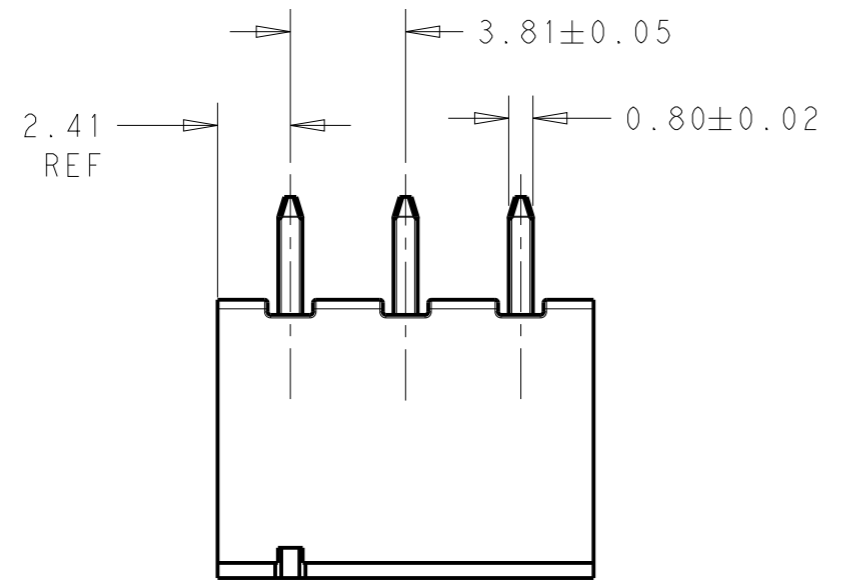
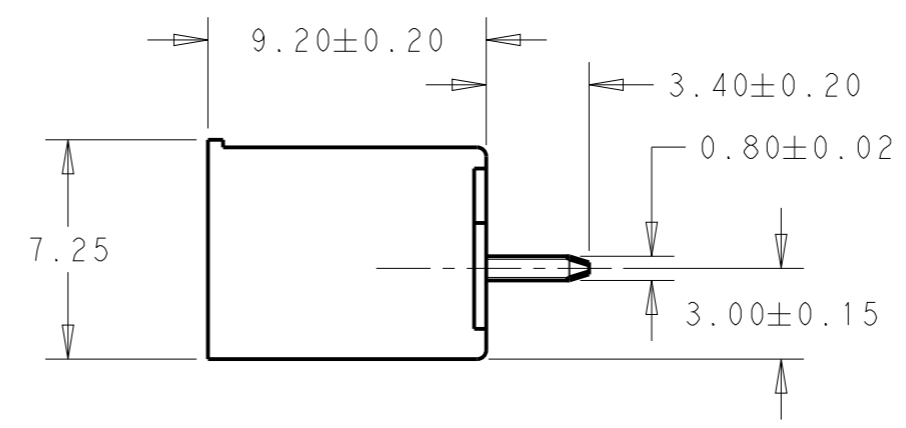
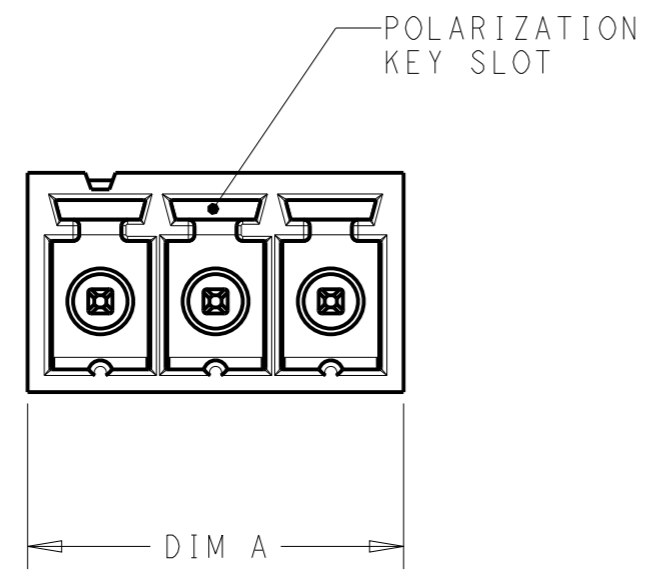


THIS DRAWING IS UNPUBLISHED. RELEASED FOR PUBLICATION 20  
 © COPYRIGHT 20 BY - ALL RIGHTS RESERVED.

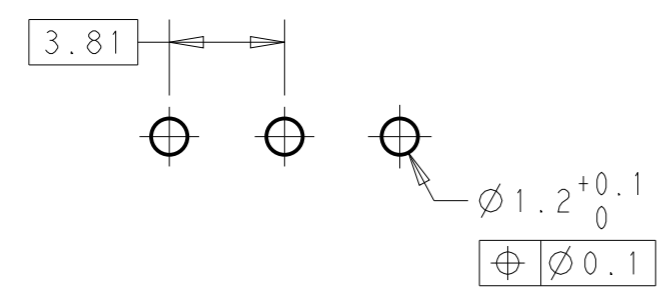
REVISIONS					
P	LTR	DESCRIPTION	DATE	DWN	APVD
	A	REVISED PER ECO-14-009591	07OCT2014	NK	MM



- 1 MATERIALS AND FINISH:  
 HOUSING: HIGH TEMPERATURE POLYAMIDE, UL94V-0,  
 COLOR: BLACK.  
 TERMINAL: PHOSPHOR BRONZE, TIN PLATED.
- 2 SUITABLE FOR 1.6-2.4mm PC BOARD THICKNESS.
- 3 UL RATING: 300V, 11A



46.73	12	1-1776131-2
42.92	11	1-1776131-1
39.11	10	1-1776131-0
35.30	9	1776131-9
31.49	8	1776131-8
27.68	7	1776131-7
23.87	6	1776131-6
20.06	5	1776131-5
16.25	4	1776131-4
12.44	3	1776131-3
8.63	2	1776131-2
DIM A	NO OF POS.	PART NUMBER



RECOMMENDED PC BOARD LAYOUT

THIS DRAWING IS A CONTROLLED DOCUMENT.		DWN S. SCHLEGEL 06JAN2010	TE Connectivity	
DIMENSIONS: mm		CHK C RICHARD 06JAN2010		
TOLERANCES UNLESS OTHERWISE SPECIFIED:		APVD C RICHARD 06JAN2010	NAME	
0 PLC ±-	1 PLC ±0.3	PRODUCT SPEC	TERMINAL BLOCK HEADER ASSEMBLY, STRAIGHT, CLOSED ENDS, 3.81mm PITCH	
2 PLC ±0.25	3 PLC ±-	APPLICATION SPEC	SIZE	RESTRICTED TO
4 PLC ±-	ANGLES ±2°	WEIGHT	A300779	-
MATERIAL	FINISH	CUSTOMER DRAWING	DRAWING NO	SCALE
1	-		C=1776131	4:1
			SHEET	REV
			1 OF 1	A

单击下面可查看定价，库存，交付和生命周期等信息

[>>TE Connectivity\(泰科\)](#)