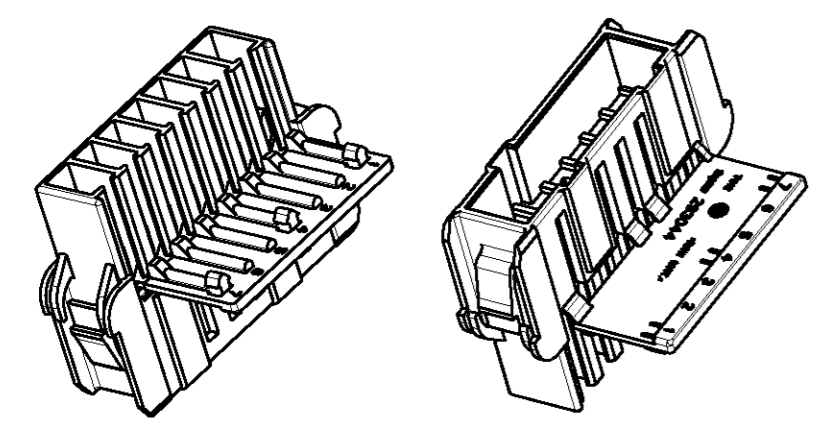
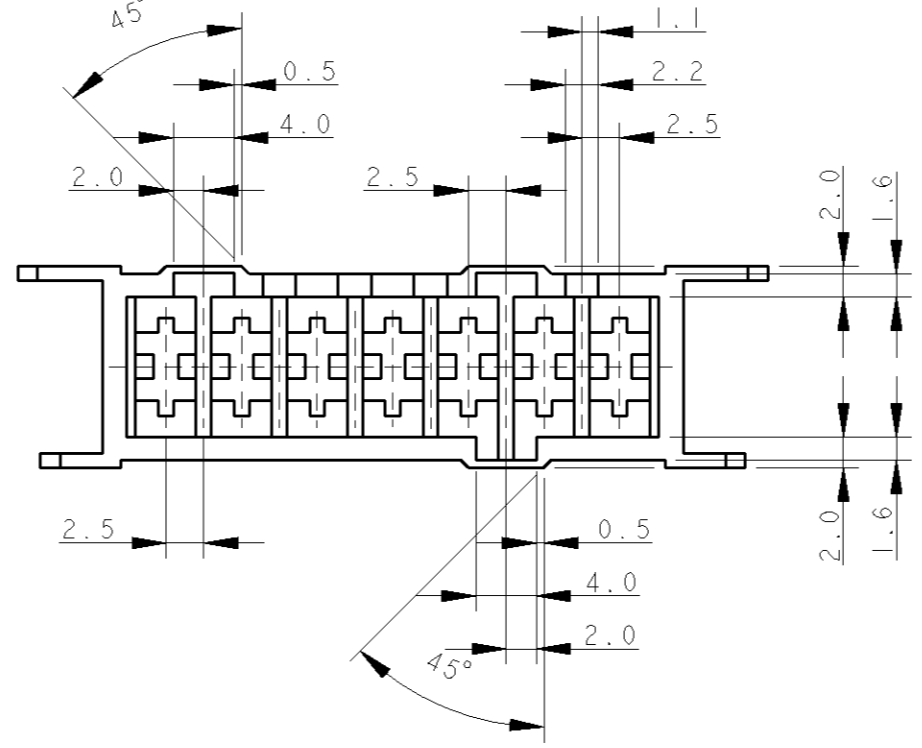


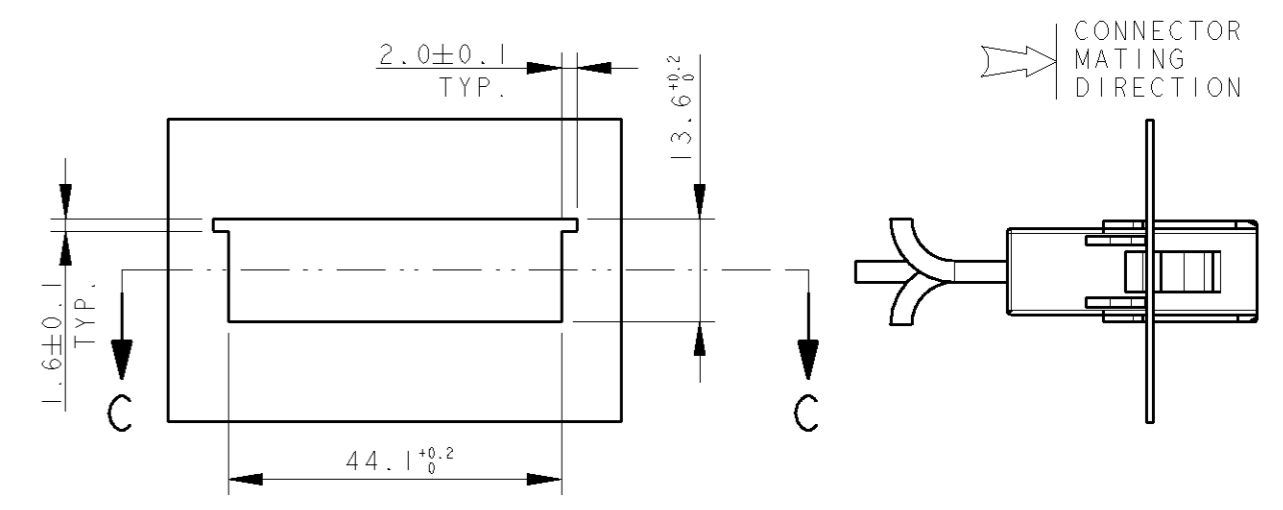
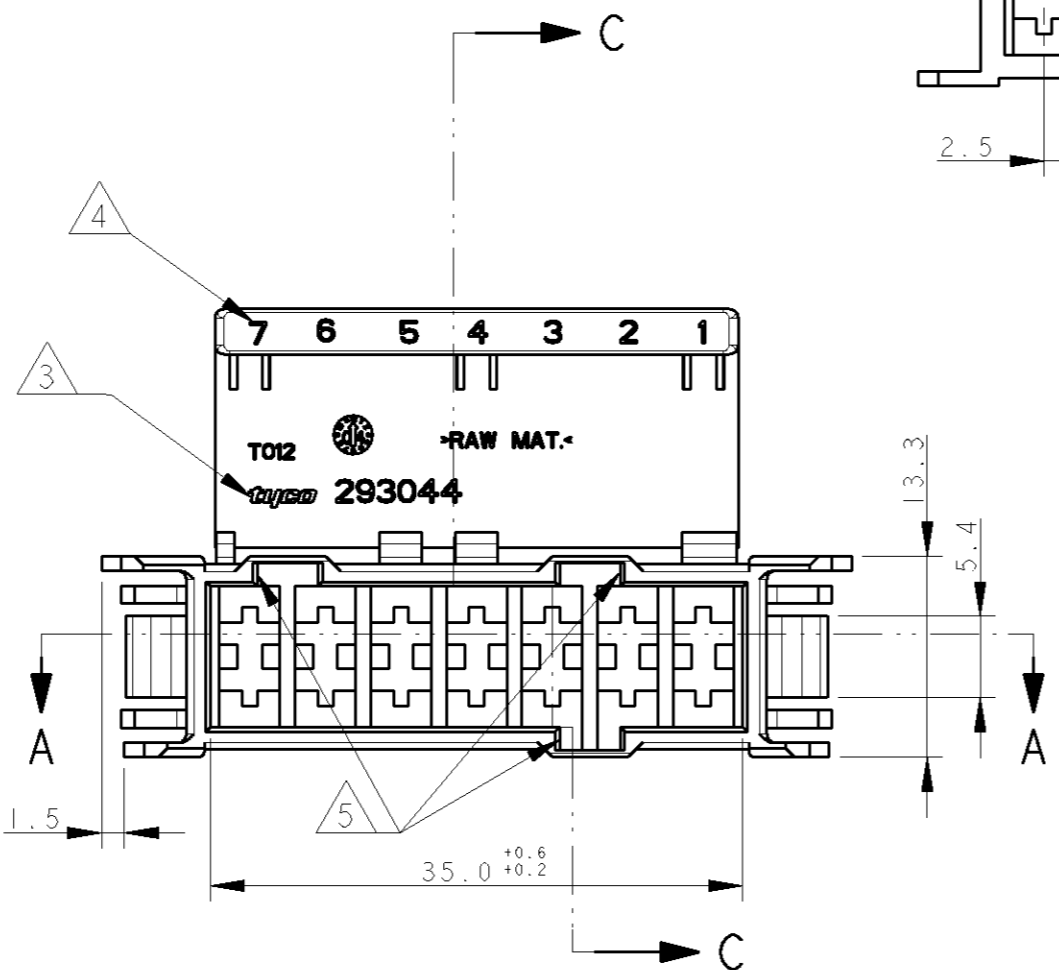
THIS DRAWING IS UNPUBLISHED. RELEASED FOR PUBLICATION 2003
 © COPYRIGHT 2003 BY TYCO ELECTRONICS CORPORATION. ALL RIGHTS RESERVED.

REVISIONS							
LOC	DIST	P	LTR	DESCRIPTION	DATE	DWN	APVD
		0		FIRST EMISSION	20 JAN 2005	H. Y.	G. T.
		A		RELEASED FOR ECR-05-003685	24 JUN 2005	H. Y.	G. T.

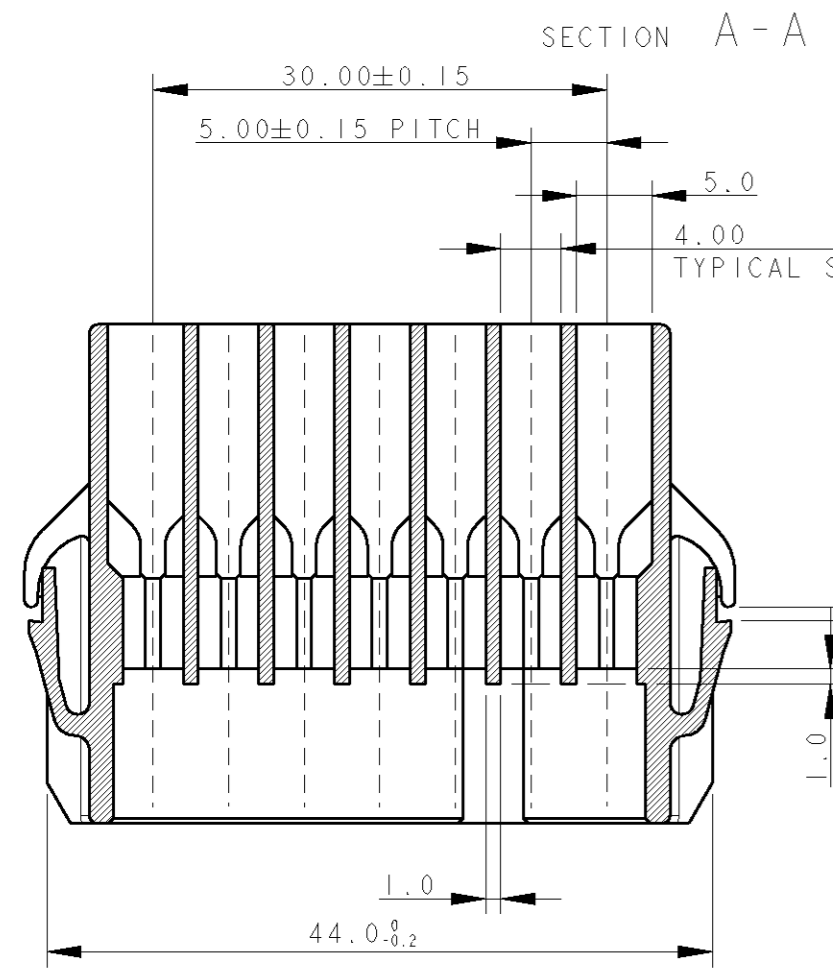
POLARIZATION KEYS SCHEME



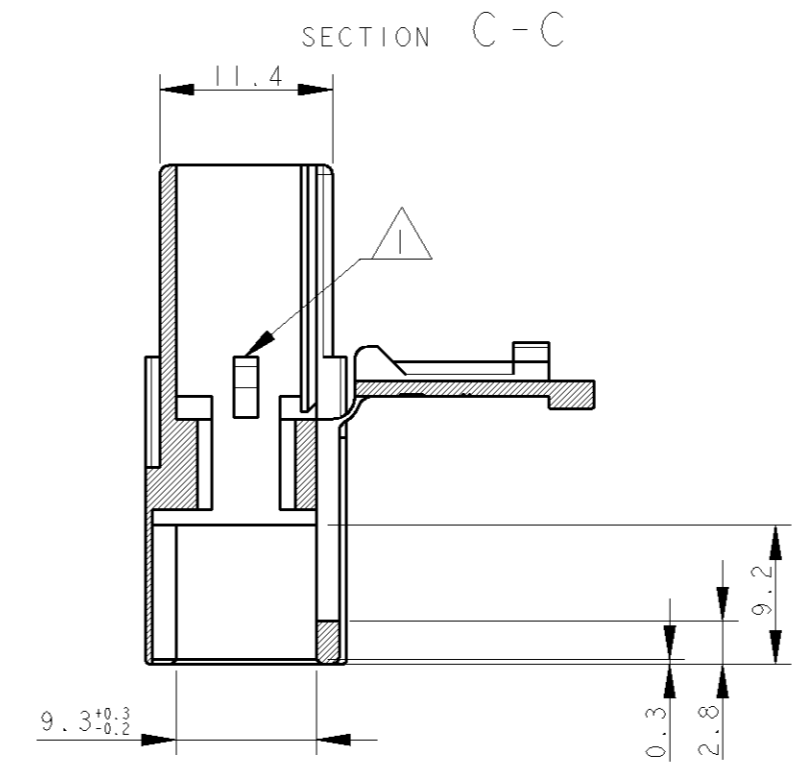
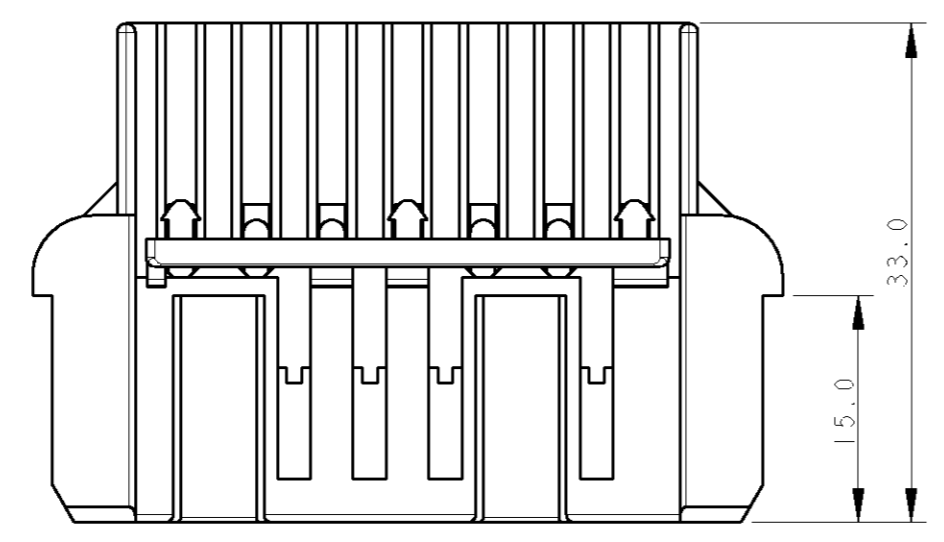
SCALE 1:1



SECTION C-C

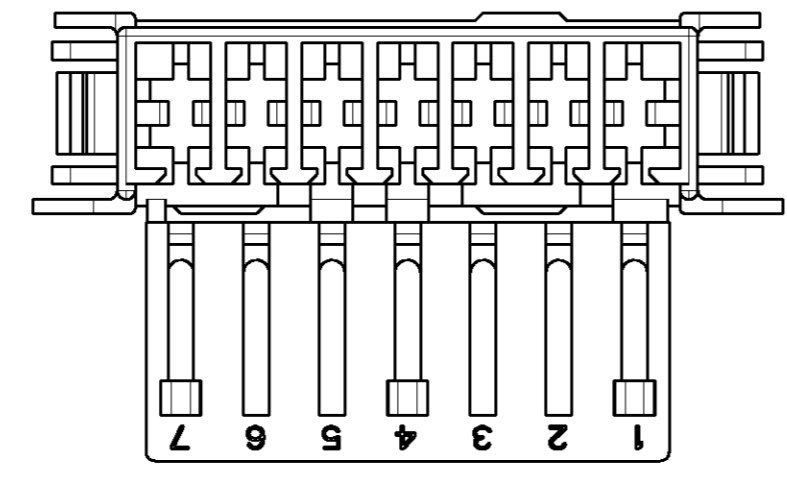


SECTION A-A



SECTION C-C

- 1 TYPICAL CAVITY SUITABLE FOR:
FASTIN-FASTON TAB CONTACTS 6.3 mm SRS:
P/N: 60294, 0.3-0.8 mm² WIRE RANGE
160691, 0.3-0.8 mm² WIRE RANGE
AMPLIVAR CONTACTS:
P/N: 141051, 0.1-0.5 mm² WIRE RANGE
142411, 0.3-1.6 mm² WIRE RANGE
MAX. INSULATION DIA. 2.8 mm.
MAX. INSULATION CRIMP WIDTH 3.3 mm.
- 2 PA6 UNFILLED, NATURE COLOUR
ACCORDING TO IEC 60335-1 NORM.
- 3 TYCO TRADEMARK "LOGO" AND
TYCO ELECTRONICS "PART NUMBER"
OPTIONAL POSITION.
- 4 CIRCUIT IDENTIFICATION NUMBERS, 1 TO 7
- 5 POLARIZATION KEYS
- 6 PACKAGED ACCORDING TO TYCO SPEC. 107-20248.



NATURALE (NATUR)	VEDI NOTA 2 (SEE NOTE 2)	293044-1	A
COLORE (COLOUR)	MATERIALE (MATERIAL)	NUMERO (TYCO P/N)	REV

THIS DRAWING IS A CONTROLLED DOCUMENT FOR TYCO ELECTRONICS CORPORATION IT IS SUBJECT TO CHANGE AND THE CONTROLLING ENGINEERING ORGANIZATION SHOULD BE CONTACTED FOR THE LATEST REVISION.		DWN H. YAALI 20 JAN 2005	tyco Electronics AMP Italia S.p.A. C.so F. Cervi, 15 COLLEGGNO (TO)	
DIMENSIONS: mm		CHK G. TURCO	NAME 7 POS. FASTIN-FASTON Connector TAB HOUSING, RAST 5 0.8-1.0 MM THK. PANEL MOUNT VERSION	
TOLERANCES UNLESS OTHERWISE SPECIFIED:		APVD -	PRODUCT SPEC 108-20256	
0 PLC ± 1 PLC ±0.3 2 PLC ± 3 PLC ± 4 PLC ±		APPLICATION SPEC -		
MATERIAL SEE TABLE		WEIGHT 9.0 GR	SIZE A2	CAGE CODE 00779
		DRAWING NO G-293044		RESTRICTED TO -
		CUSTOMER DRAWING		SCALE 2:1 SHEET 1 OF 1 REV A

单击下面可查看定价，库存，交付和生命周期等信息

[>>TE Connectivity\(泰科\)](#)