

THIS DRAWING IS UNPUBLISHED.

RELEASED FOR PUBLICATION

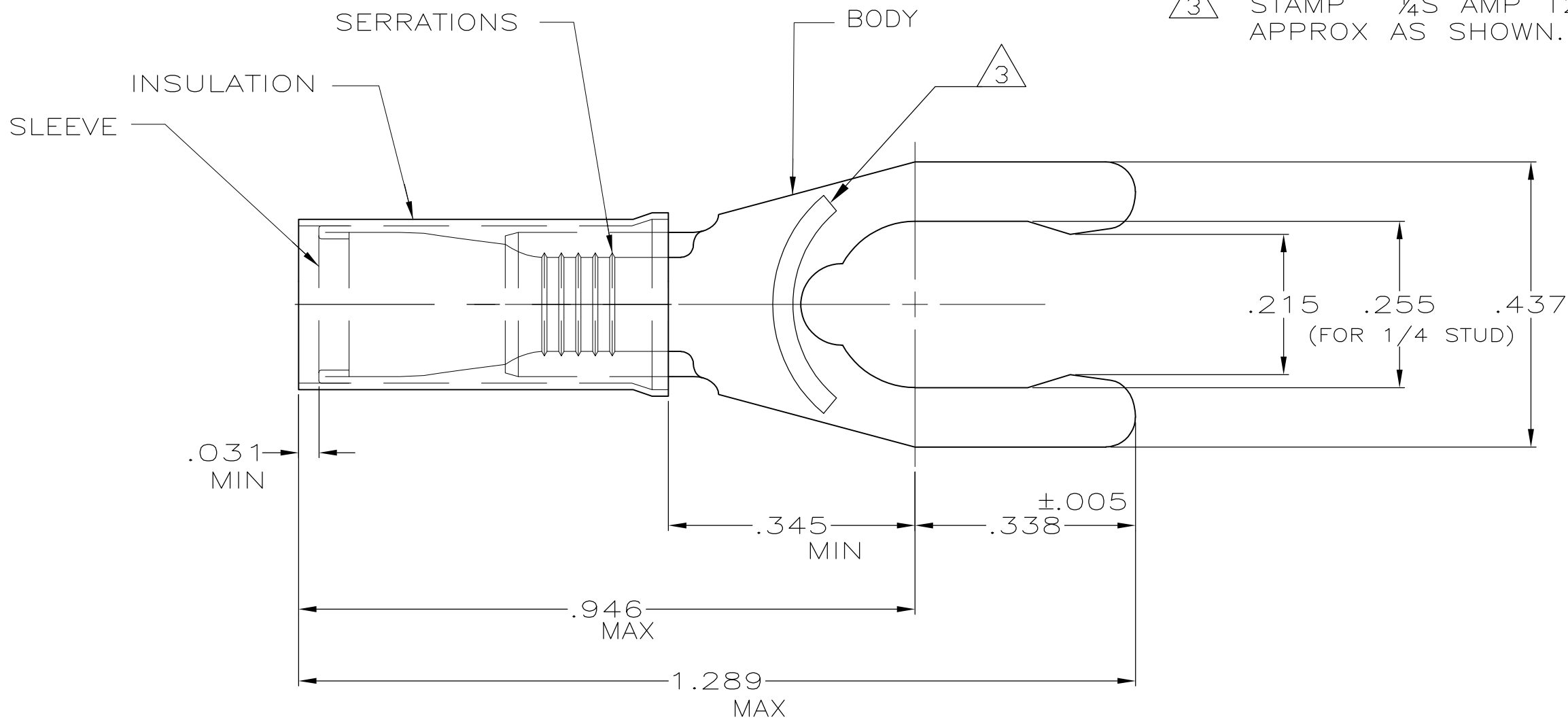
© COPYRIGHT BY TYCO ELECTRONICS CORPORATION.

ALL INTERNATIONAL RIGHTS RESERVED.

LOC G	DIST 14	REVISIONS		
P	LTR	DESCRIPTION	DATE	DWN
	N1	REV PER ECR 10-013673	29JUN10	JR
				APVD TM

AMP WIRE RANGE	Listed	LR7189 Certified
12-10 AWG SOLID OR STRANDED	12-10 AWG SOLID OR STRANDED	12-10 AWG SOLID OR STRANDED

- 1 FOR WIRE INSULATION DIA (SEE TABLE).
- 2 TONGUE MATERIAL THK IS .0385±.002
- 3 STAMP " ¼S AMP 12-10*", LOCATED APPROX AS SHOWN.



.235 MIN	WIRE TERMINAL ON TAPE	52433-3	INSULATION: NYLON, COLOR: YELLOW SLEEVE: COPPER PER ASTM B-152												
.253 MIN	WIRE TERMINAL	52433-1	BODY: PHOS. BRONZE PER ASTM B-103 TIN PLATE PER ASTM B-545												
WIRE INS. DIA	DESCRIPTION	PART NO.	MATERIAL & FINISH												
THIS DRAWING IS A CONTROLLED DOCUMENT.		DWN JR RUTH 06MAR01	Tyco Electronics Corporation Harrisburg, PA 17105-3608												
DIMENSIONS: INCHES		CHK MS FEHER 06MAR01													
TOLERANCES UNLESS OTHERWISE SPECIFIED:		APVD T MICHELUTTI 06MAR01	NAME WIRE TERMINAL, PIDG, SPRING SPADE, 12-10 AWG												
<table border="0"> <tr><td>0 PLC</td><td>± -</td></tr> <tr><td>1 PLC</td><td>± -</td></tr> <tr><td>2 PLC</td><td>± -</td></tr> <tr><td>3 PLC</td><td>± .008</td></tr> <tr><td>4 PLC</td><td>± -</td></tr> <tr><td>ANGLES</td><td>±5°</td></tr> </table>		0 PLC	± -	1 PLC	± -	2 PLC	± -	3 PLC	± .008	4 PLC	± -	ANGLES	±5°	PRODUCT SPEC -	SIZE A3
0 PLC	± -														
1 PLC	± -														
2 PLC	± -														
3 PLC	± .008														
4 PLC	± -														
ANGLES	±5°														
MATERIAL SEE TABLE	FINISH SEE TABLE	APPLICATION SPEC -	CAGE CODE 00779												
		WEIGHT -	DRAWING NO G-52433												
		RESTRICTED TO -													
CUSTOMER DRAWING		SCALE 5:1	SHEET 1 OF 1												
		REV N1													

单击下面可查看定价，库存，交付和生命周期等信息

[>>TE Connectivity\(泰科\)](#)