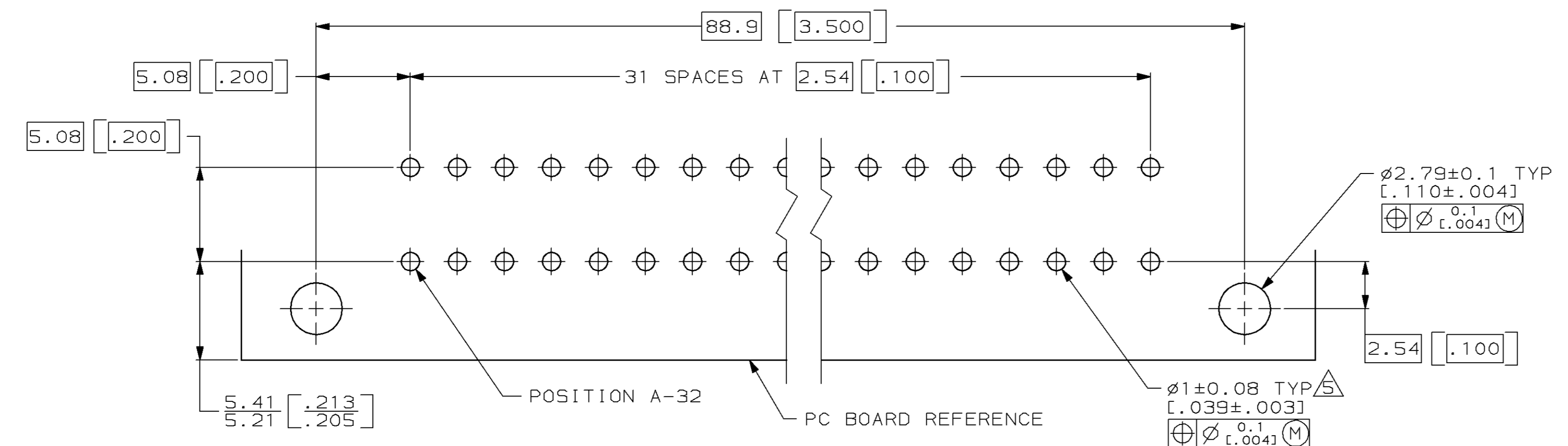
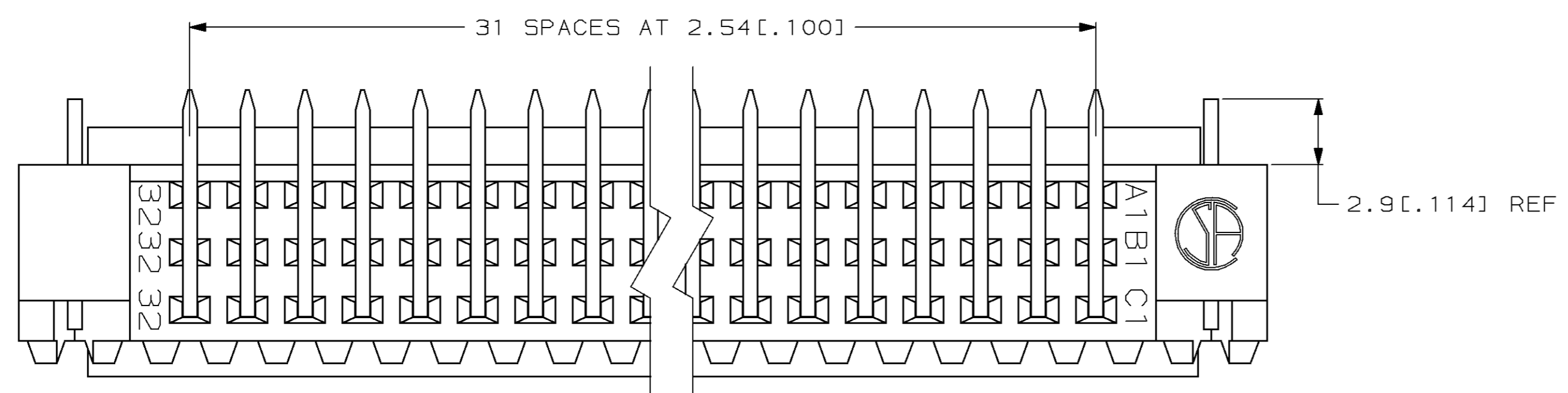
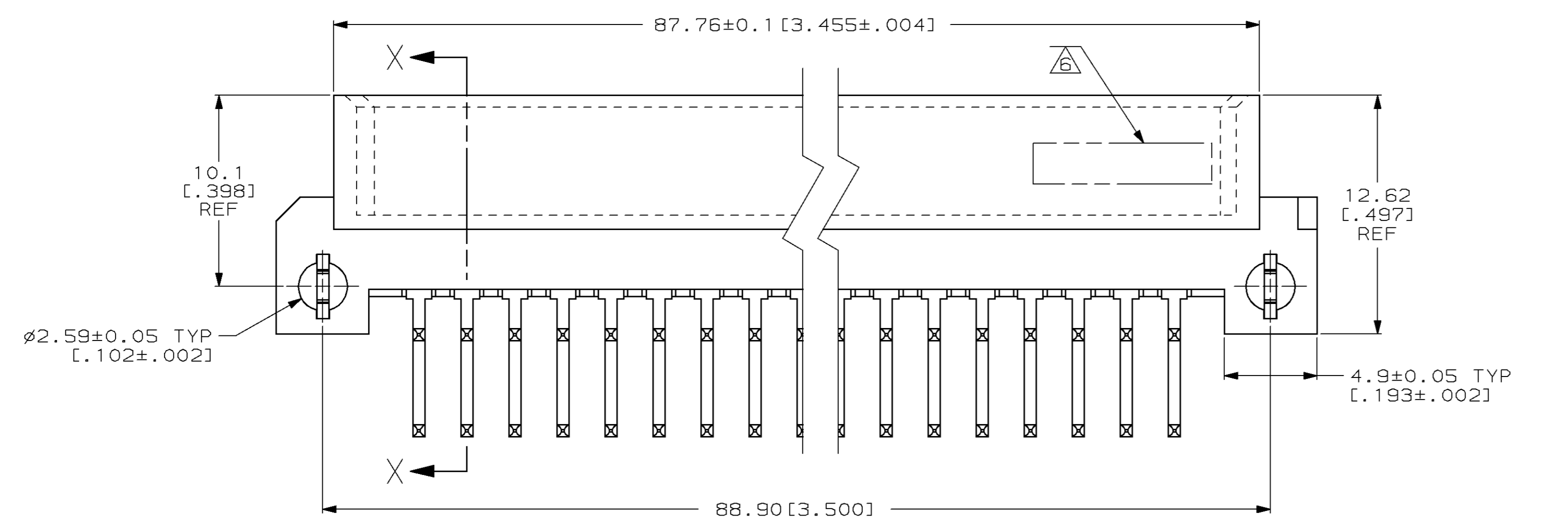
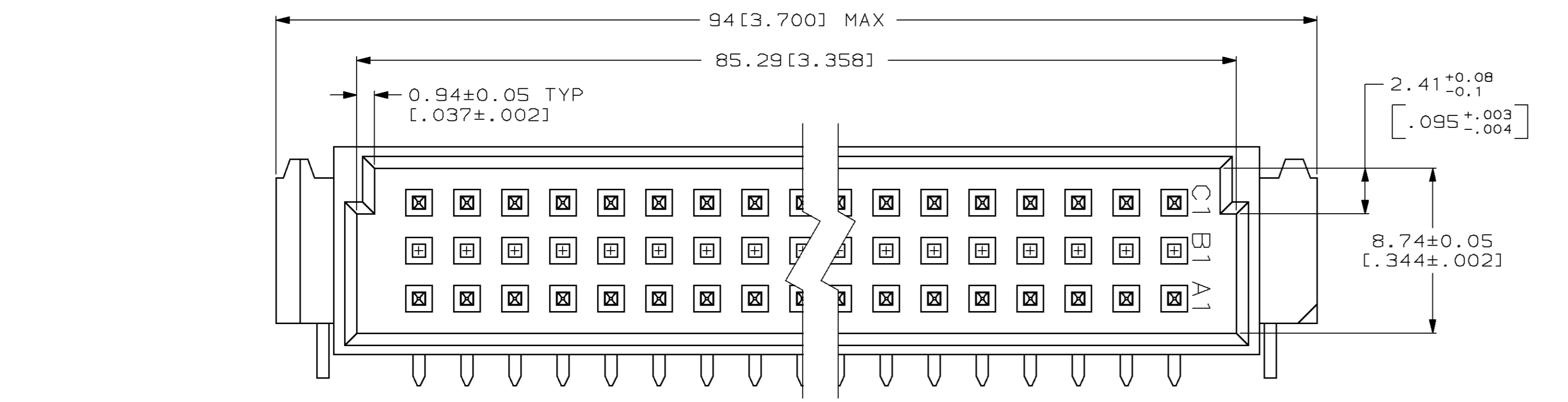
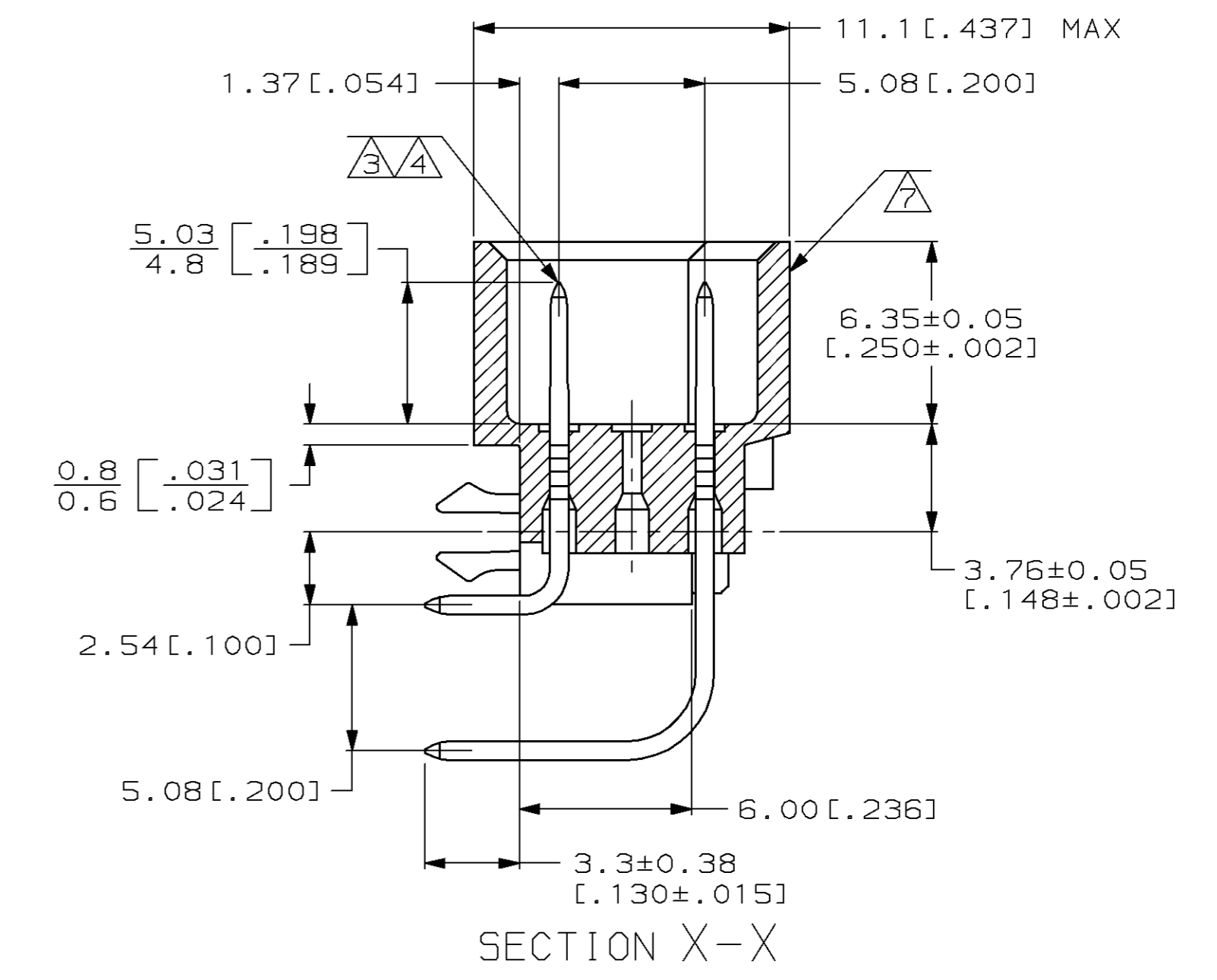


LOC		DIST		P		F		ZONE		LTR		REVISIONS			
AD	25											DESCRIPTION	DATE	APPD	
												C	EC 0504-0052-96	7/7/97	CR



PC BOARD LAYOUT
 RECOMMENDED PC BOARD THICKNESS 1.57 [0.062]

- 1 HOUSING MATERIAL: GLASS-FILLED POLYESTER. COLOR: GRAY.
- 2 POST MATERIAL: BRASS.
- 3 POST FINISH: DIN 41612 CLASS 2 IN CONTACT AREA. TIN-LEAD PLATE ON POSTS.
- 4 POST FINISH: DIN 41612 CLASS 3 IN CONTACT AREA. TIN-LEAD PLATE ON POSTS.
- 5 RECOMMENDED HOLE SIZE FOR MANUAL APPLICATION OF CONNECTOR ONTO PC BOARD.
- 6 [PART NUMBER, DATE CODE] MARKED THIS APPROXIMATE AREA.
- 7 MARKING ON THIS SIDE.



SUPERSEDED BY 536406-5

NOTES	POSITIONS LOADED	C	B	A	NO. OF LOADED POSITION	ASSY PART NUMBER
	1-32	X	-	X	64	536406-9
	1-32	X	-	X	64	536406-5

DO NOT SCALE PRINT. UNLESS SPECIFIED DIMENSIONS IN mm [INCHES]		PART NO	
DR L. BRINER 11/20/92	CHK R. PATTERSON 12/11/92	AMP AMP Incorporated Harrisburg, PA 17105-3608	
TOLERANCES ON: 1 PLC DEC ± - 2 PLC DEC ± 0.13 [0.005] ANGLES ± -	APPD R. PATTERSON 12/11/92	NAME PIN ASSEMBLY, EUROCARD, TYPE "C" WITH BOARD-LOCKS	
MATERIAL HSG: 1 - POST: 2 -	APPD D.C. RUBENDALL 12/11/92	SIZE D	CAGE CODE 00779
FINISH POST: 3/4 -	APPLICATION SPEC -	DRAWING NO	536406
	WEIGHT -	SCALE	5:1
		SHEET	1 OF 1

单击下面可查看定价，库存，交付和生命周期等信息

[>>TE Connectivity\(泰科\)](#)