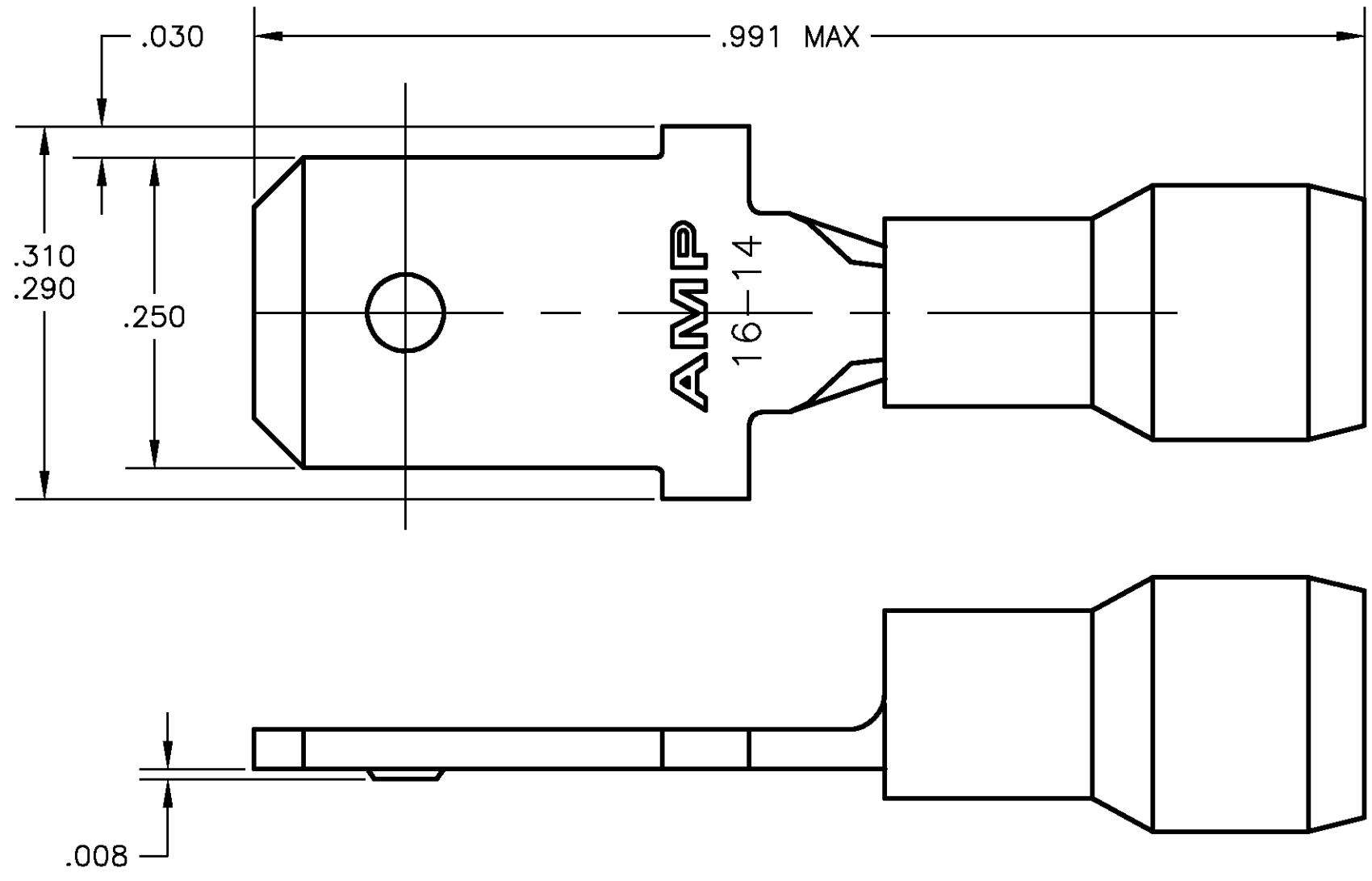


THIS DRAWING IS UNPUBLISHED. RELEASED FOR PUBLICATION  
 © COPYRIGHT BY TYCO ELECTRONICS CORPORATION. ALL RIGHTS RESERVED.

LOC	DIST	REVISIONS					
G	86	P	LTR	DESCRIPTION	DATE	DWN	APVD
		E		REDRAWN PER 0G3A-0427-02	10SEP02	JR	TM



- 1 STAMPED "AMP 16-14".
- 2 WIRE INSULATION DIA .115-.170.
- 3 MATERIAL THK IS .031±.002

100	BLUE, PVC	COPPER, TIN	LOOSE PIECES	66024-6
5000	BLUE, PVC	COPPER, TIN	TAPE MTD	66024-4
500	BLUE, PVC	COPPER, TIN	LOOSE PIECES	66024-2
100	BLUE, PVC	COPPER, NONE	LOOSE PIECES	66024-1
QTY	SLEEVE	MATERIAL & FINISH	PACKAGING TYPE	PART NO

THIS DRAWING IS A CONTROLLED DOCUMENT.		DWN JR RUTH 10SEP2002	Tyco Electronics Corporation Harrisburg, PA 17105	
DIMENSIONS: INCHES 		CHK T MICHIELUTTI 10SEP02	NAME PIDG TAB ASSEMBLY	
TOLERANCES UNLESS OTHERWISE SPECIFIED: 0 PLC ± - 1 PLC ± .1 2 PLC ± .02 3 PLC ± .005 4 PLC ± - ANGLES ± 1°		APVD T MICHIELUTTI 10SEP02	PRODUCT SPEC -	
MATERIAL SEE TABLE		FINISH SEE TABLE	APPLICATION SPEC -	RESTRICTED TO -
		WEIGHT -	SIZE A3	CAGE CODE 00779
		DRAWING NO C-66024		REV E
CUSTOMER DRAWING			SCALE 8:1	SHEET 1 OF 1

单击下面可查看定价，库存，交付和生命周期等信息

[>>TE Connectivity\(泰科\)](#)