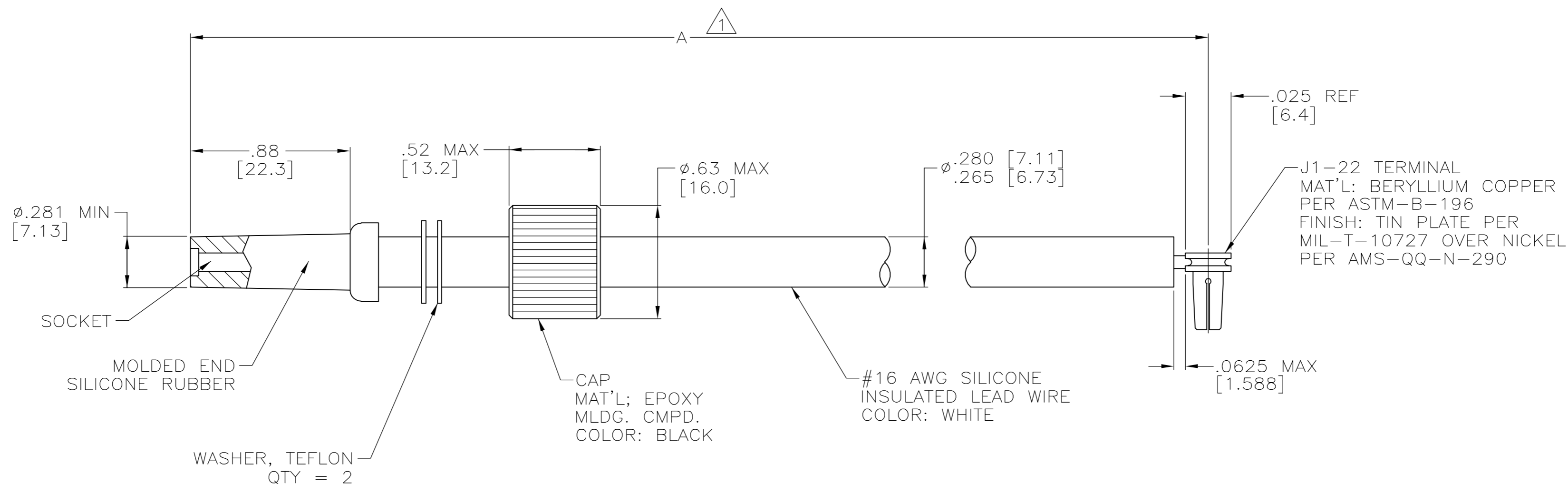


THIS DRAWING IS UNPUBLISHED. RELEASED FOR PUBLICATION - .N/A .  
 © COPYRIGHT N/A BY TYCO ELECTRONICS CORPORATION. ALL RIGHTS RESERVED.

LOC	DIST	REVISIONS					
DF	SO	P	LTR	DESCRIPTION	DATE	DWN	APVD
		K		REV PER ECO-05-005459	08-05	AA	DE

PART NO.	A DIM <sup>1</sup>	CUST PART NO. INK STAMPED	REMARKS
868028-1	9.00 [228.6]	PS78548-4	<sup>6</sup>
868028-2	12.00 [304.8]	PC97504-1	<sup>6</sup>
868028-3	5.50 [139.7]	PC97504-2	<sup>6</sup>
868028-4	9.50 [241.3]	PC97504-3	<sup>6</sup>
868028-5	7.00 [177.8]	PC97504-4	<sup>6</sup>
868028-6	18.00 [457.2]	PC97526-1	<sup>6</sup>
5-868028-3	5.50 [139.7]	-	<sup>7</sup>

- <sup>1</sup> TOLERANCE OF LEAD LENGTH:  
UP TO 24 INCHES [609.6] = ±.12 [±3.0]  
24 INCHES [609.6] & UP = ±1%
- 2. MARKED PER MIL-STD-130.
- 3. TO MATE WITH AMP LGH-1  
RECEPTACLE WITH .88 BARREL DEPTH.
- 4. PRODUCT WILL MEET CUSTOMER PART NUMBER  
REQUIREMENTS.
- 5. OPERATING VOLTAGE: 20 KVDC AT 0 TO 70,000 FEET, -55  
-55°C TO 125°C.
- <sup>6</sup> J1-22 TERMINAL SOLDERED TO WIRE USING 60/40  
TIN-LEAD SOLDER.
- <sup>7</sup> J1-22 TERMINAL SOLDERED TO WIRE USING Sn10  
SILVER SOLDER.



THIS DRAWING IS A CONTROLLED DOCUMENT.		DWN C.C.THOMAS 09-NOV-89	Tyco Electronics Corporation Harrisburg, Pa 17105-3608	
DIMENSIONS: INCHES [mm]		CHK D.EABY 01-DEC-89		
TOLERANCES UNLESS OTHERWISE SPECIFIED:		APVD D.EABY 01-DEC-89	NAME LEAD ASSY SGL END LGH-1	
0 PLC ± - 1 PLC ± - 2 PLC ± .02 [0.5] 3 PLC ± - 4 PLC ± - ANGLES ± -		PRODUCT SPEC -	SIZE A2	CAGE CODE 00779
MATERIAL SEE CALLOUTS		FINISH SEE CALLOUTS	DRAWING NO C=868028	RESTRICTED TO -
CUSTOMER DRAWING		WEIGHT -	SCALE 2:1	SHEET 1 OF 1
		REV K		

单击下面可查看定价，库存，交付和生命周期等信息

[>>TE Connectivity\(泰科\)](#)