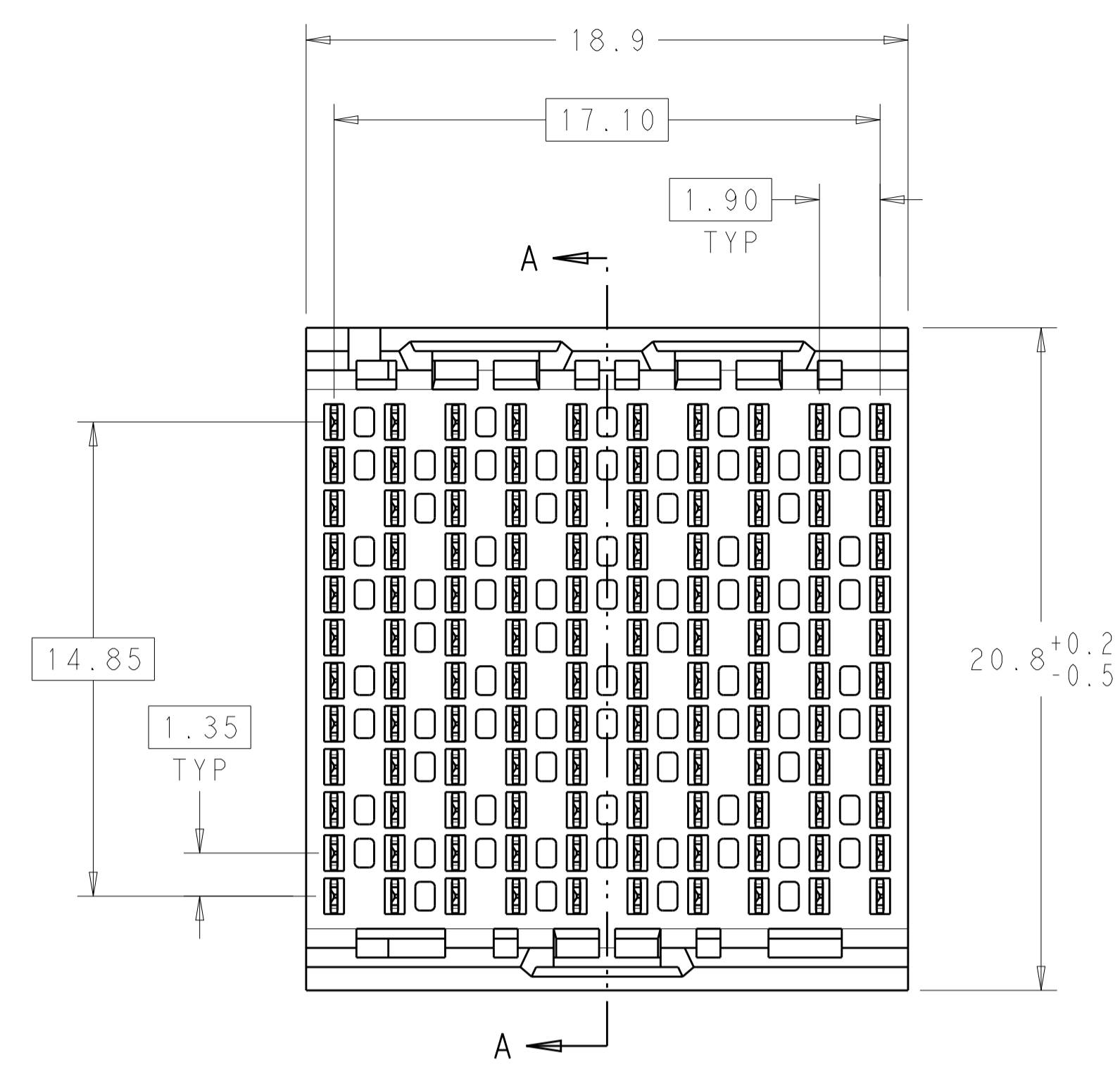
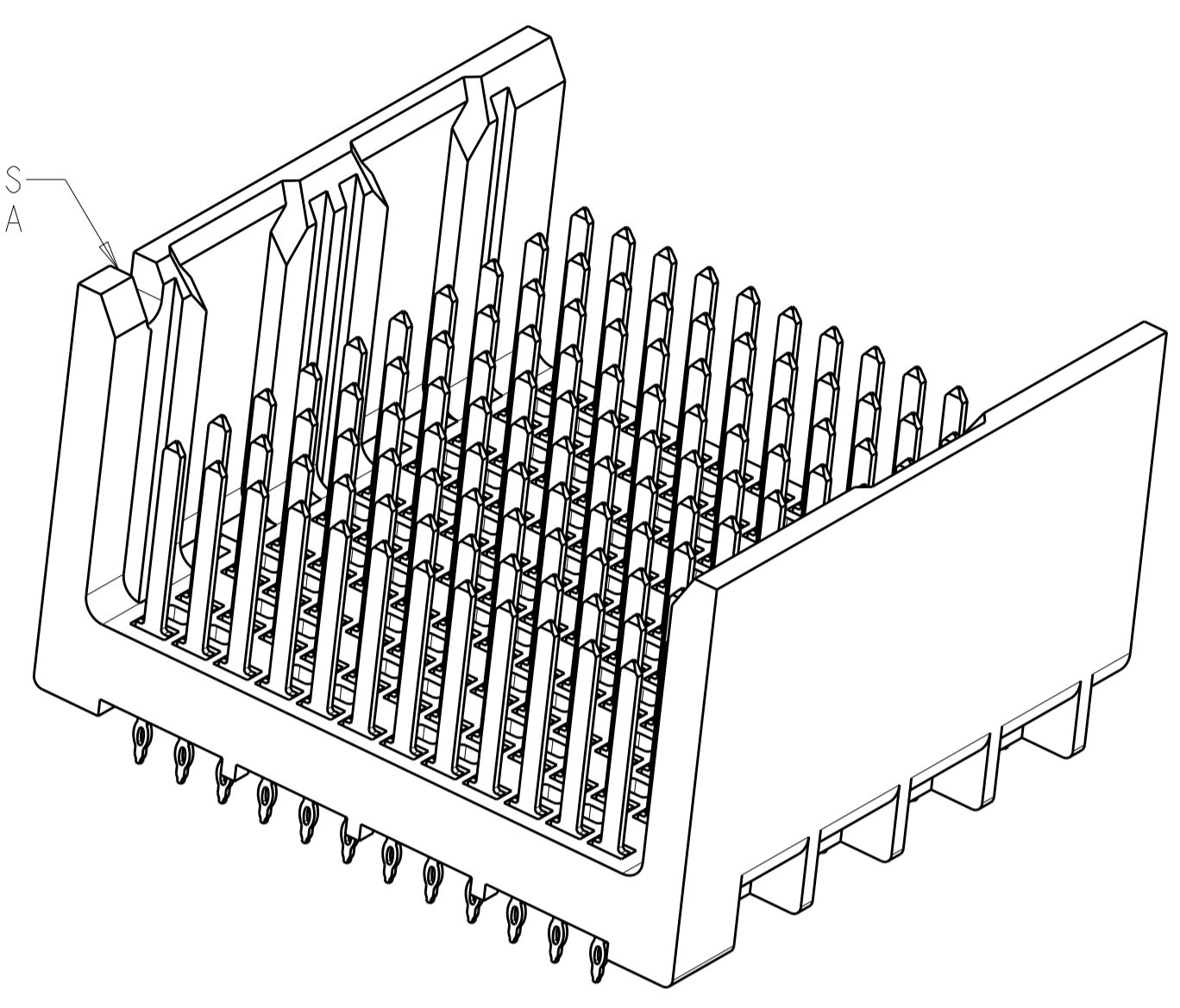


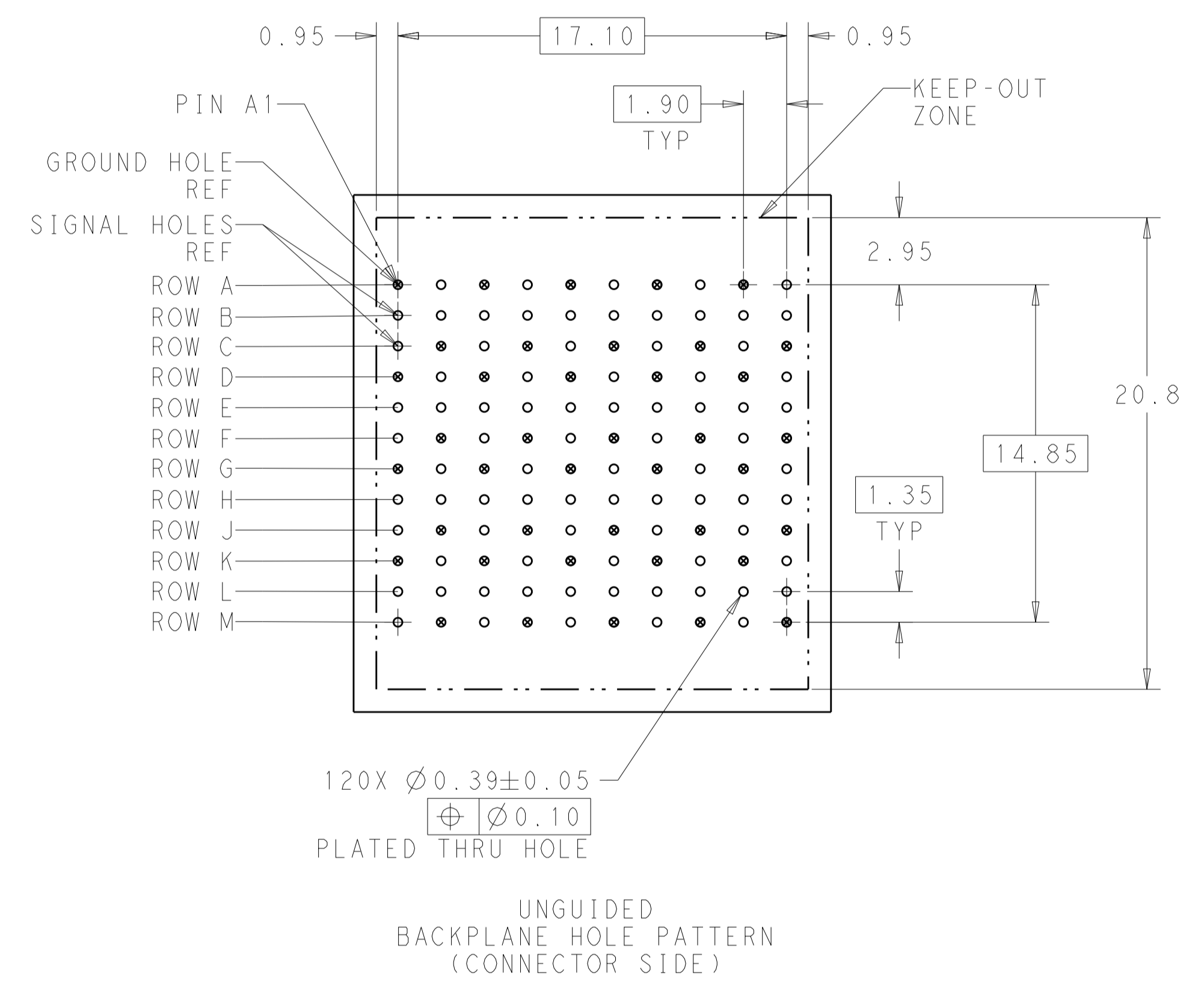
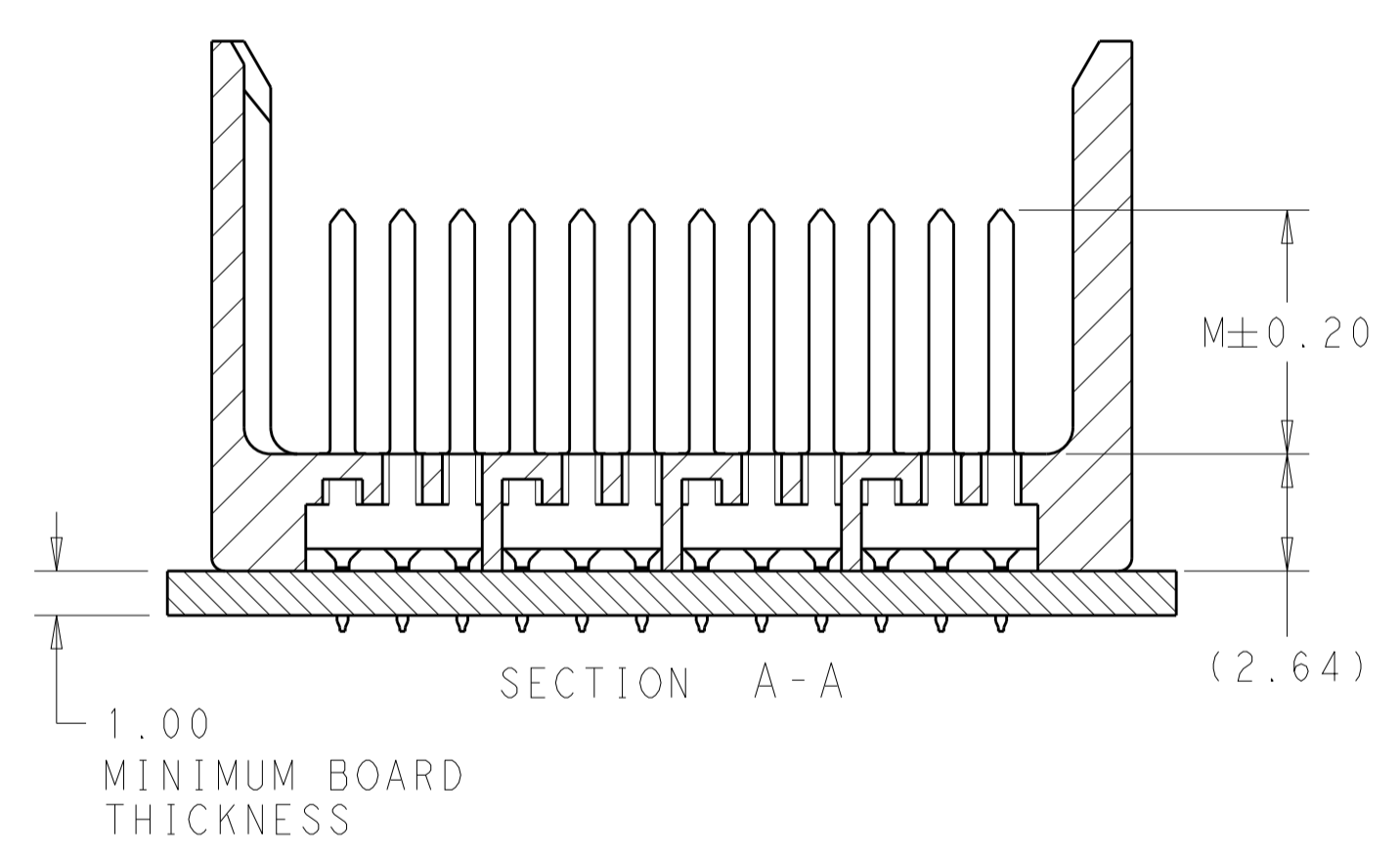
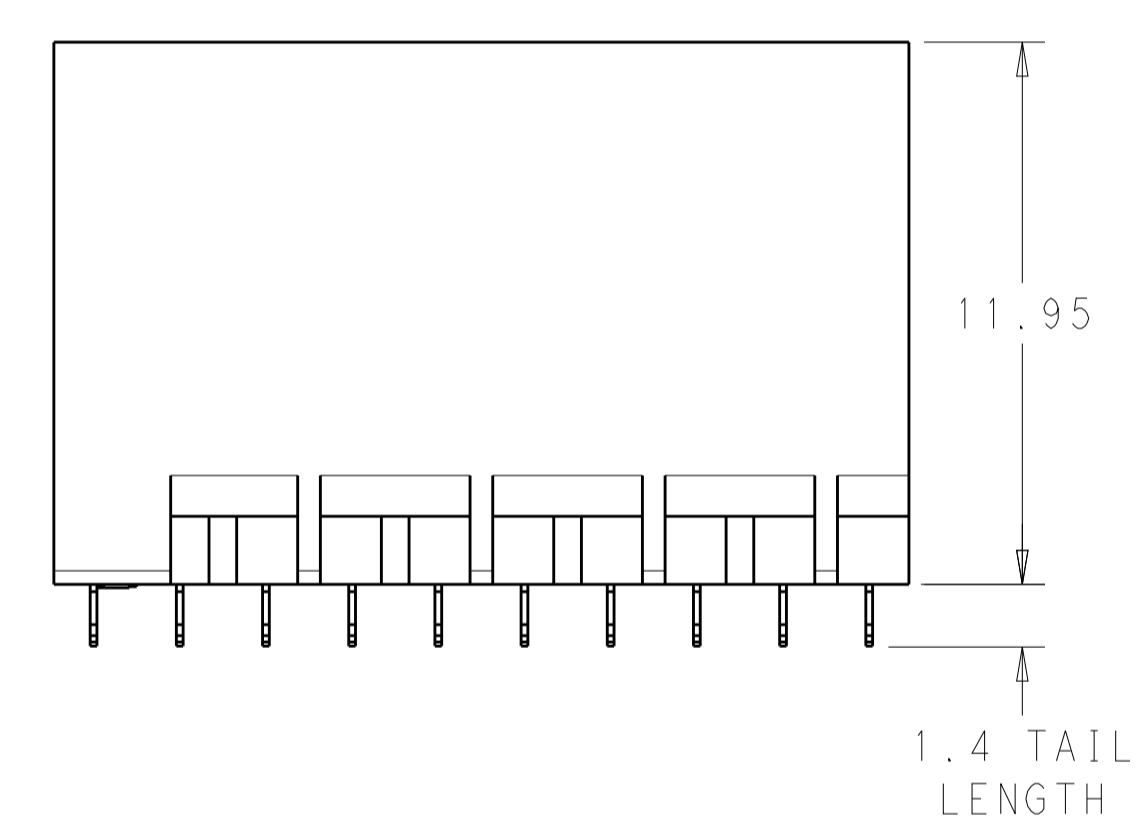
LOC	DIST	REVISIONS			
P	LTN	DESCRIPTION	DATE	DMN	APVD
B2		REVISED PER ECR-17-007294	19MAY2017	A. S.	S. Y.



NOTCH DESIGNATES ROW A



- 1 MATERIAL:
HOUSING: LCP, GLASS FILLED, UL94V-0.
TERMINALS: HIGH PERFORMANCE COPPER ALLOY.
- 2 FINISH:
30μ" MIN GOLD IN CONTACT AREA. SELECTIVE TIN
ON PCB TAILS, NICKEL OVERALL.
- 3 FINISH:
30μ" MIN GOLD IN CONTACT AREA. SELECTIVE TIN-LEAD
ON PCB TAILS, NICKEL OVERALL.



3	5.5	2007820-6
3	4.9	2007820-5
3	4.5	2007820-4
2	5.5	2007820-3
2	4.9	2007820-2
2	4.5	2007820-1
FINISH	DIM M	PART NUMBER

REFER TO WWW.TE.COM FOR PRODUCT AVAILABILITY

THIS DRAWING IS A CONTROLLED DOCUMENT.		DMN J. K. SHOBER 13JAN2011	
DIMENSIONS: mm		CHK J. EARY 13JAN2011	
TOLERANCES UNLESS OTHERWISE SPECIFIED:		APVD J. EARY 13JAN2011	NAME IMPACT, 4 PAIR, 10 COLUMN, HEADER
0 PLC ±0.25		PRODUCT SPEC	UNGUIDED, OPEN END WALL
1 PLC ±0.13		APPLICATION SPEC	SIGNAL MODULE, 0.39 PTH
2 PLC ±		SIZE CAGE CODE DRAWING NO	RESTRICTED TO
3 PLC ±		WEIGHT	A100779C=2007820
4 PLC ±		CUSTOMER DRAWING	SCALE 6:1 SHEET 1 OF 1 REV B2
ANGLES ±			
FINISH SEE TABLE			

单击下面可查看定价，库存，交付和生命周期等信息

[>>TE Connectivity\(泰科\)](#)