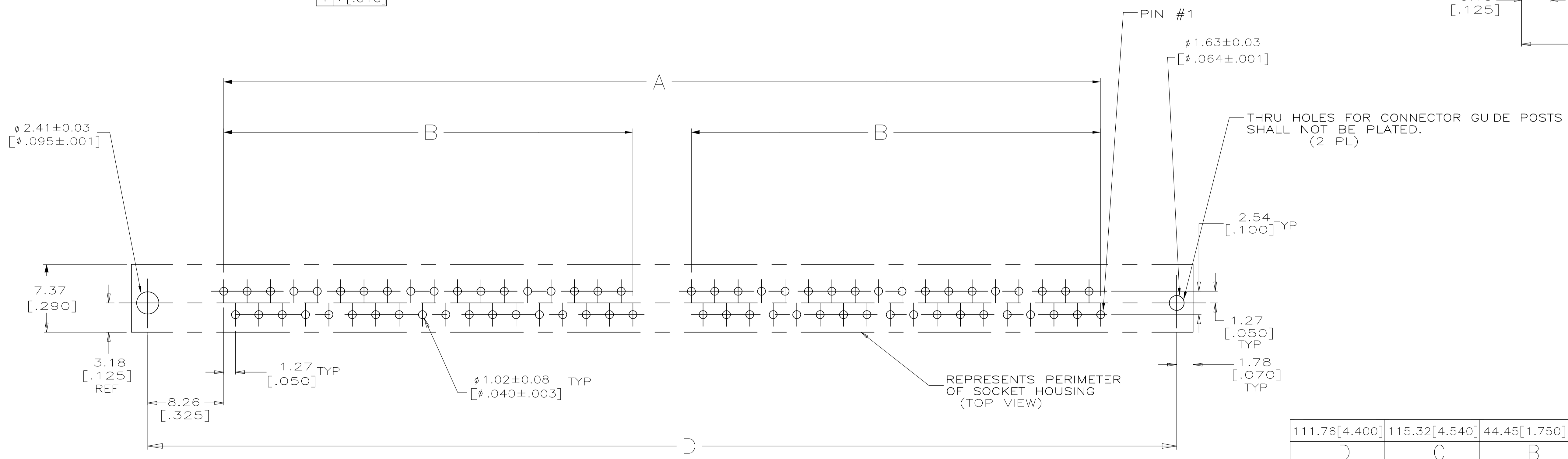
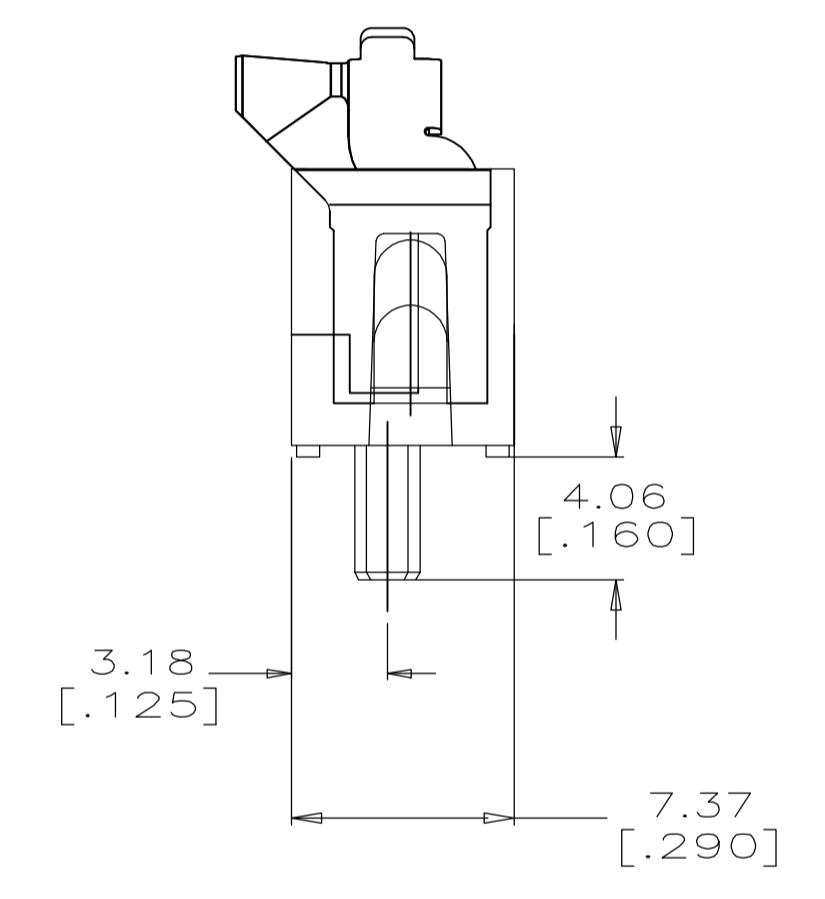
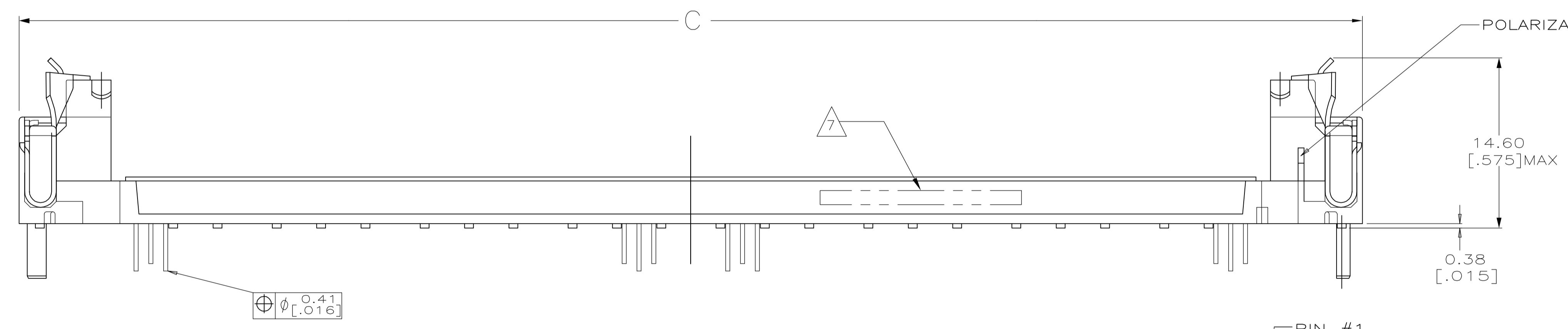
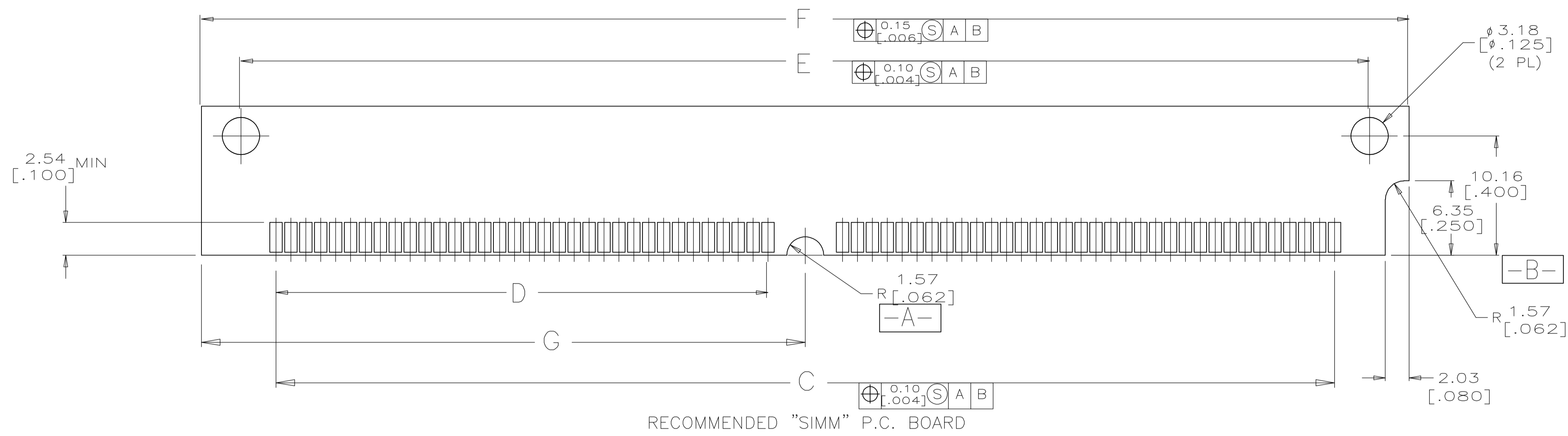


- ① HOUSING-MATERIAL: LIQUID-CRYSTAL-POLYMER.
- ② CONTACT-MATERIAL: PHOS. BRONZE, AMP 100-255.
- ③ LATCH-MATERIAL: BRASS, AMP 100-86 NICKEL PLATE 0.00127[.000050] MIN PER AMP SPEC 112-25-1.
- ④ CONTACT-PLATE: 0.00508[.000200] MIN MATTE TIN OVER 0.00127[.000050]MIN NICKEL.
- 5. IN ADDITION TO THOSE RECOMMENDED "SIMM" P. C. BOARD DIMENSIONS AND TOLERANCES SHOWN, ALL JEDEC SPECIFICATIONS APPLY AS SHOWN ON MO-116, ISSUE A.
- 6. RECOMMENDED MATING S.I.M.M. TAB METALLURGY: BASE METAL-COPPER. PLATING TO BE 0.00762[.000300] MIN TIN/LEAD OVER 0.00127[.000050] MIN NICKEL.
- ⑦ DATE CODE: (YEAR WEEK) XXXX FORMAT, LOCATED APPROXIMATELY AS SHOWN ON OPPOSITE SIDE.

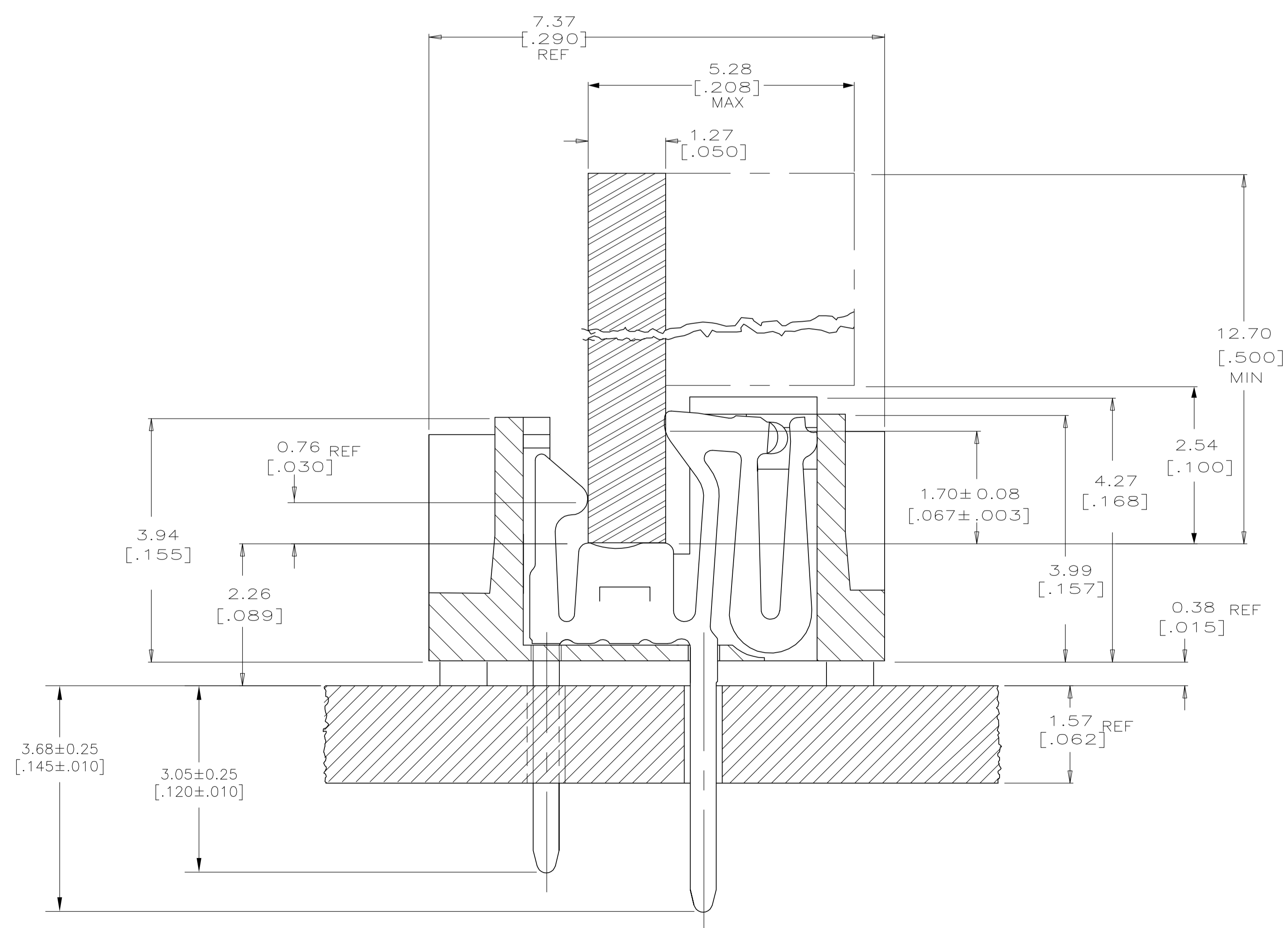


RECOMMENDED P.C. BOARD HOLE PATTERN SOCKET SIDE

111.76[4.400]	115.32[4.540]	44.45[1.750]	95.25[3.750]	72	5822019-4
D	C	B	A	NO. OF POS	PART NO
THIS DRAWING IS A CONTROLLED DOCUMENT.		DIN S. WAITMAN	SJANOS	Tyco Electronics Corporation	
DIMENSIONS: mm [INCHES]		CHK M.YFOMANS	SJANOS	Harrisburg, PA 17105-3608	
TOLERANCES UNLESS OTHERWISE SPECIFIED:		APVD	NAME	CONNECTOR, MICRO-EDGE, .050q VERTICAL TIN PLATE, METAL LATCH	
0 PLC ± -	1 PLC ± -	PRODUCT SPEC	SIZE	CAGE CODE	DRAWING NO
2 PLC ± -	3 PLC ± 0.1[.005]	APPLICATION SPEC	A1	00779	5822019
4 PLC ± -	ANGLES ± -	WEIGHT	SCALE	SHEET	REV
MATERIAL		FINISH		CUSTOMER DRAWING	
①②③		③④		SCALE 4:1 SHEET 1 OF 2 REV B	



RECOMMENDED "SIMM" P.C. BOARD



SECTIONED THROUGH CONNECTOR ASSEMBLY

53.98[2.125]	107.95[4.250]	101.19[3.984]	44.45[1.750]	95.25[3.750]	72
G	F	E	D	C	NO. OF POSN
RECOMMENDED "SIMM" P.C. BOARDS					
THIS DRAWING IS A CONTROLLED DOCUMENT.		DIN S. WAITMAN SJANOS	Tyco Electronics Corporation Harrisburg, PA 17105-3608		
DIMENSIONS: mm [INCHES]		CHK M. YFOMANS SJANOS	NAME		
TOLERANCES UNLESS OTHERWISE SPECIFIED:		APVD	PRODUCT SPEC		
0 PLC ± -		APPLICATION SPEC			
1 PLC ± -		SIZE			
2 PLC ± -		CAGE CODE			
3 PLC ± 0.13[0.005]		DRAWING NO			
4 PLC ± -		RESTRICTED TO			
ANGLES ± -		WEIGHT			
FINISH		A1 00779 C=5822019			
MATERIAL SEE SHEET 1		CUSTOMER DRAWING			
SEE SHEET 1		SCALE 4:1 SHEET 2 OF 2 REV B			

单击下面可查看定价，库存，交付和生命周期等信息

[>>TE Connectivity\(泰科\)](#)