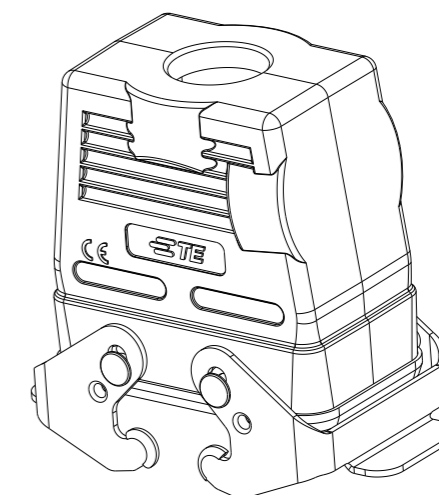
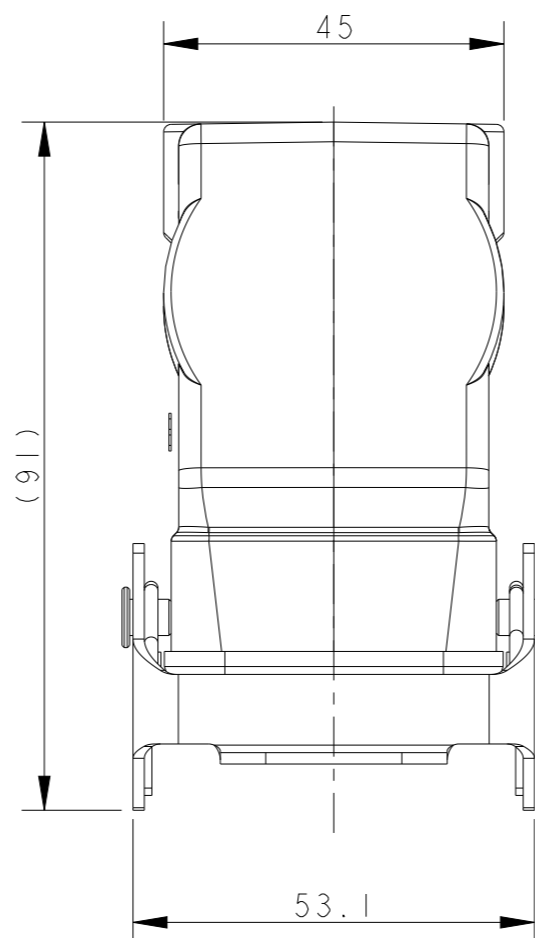
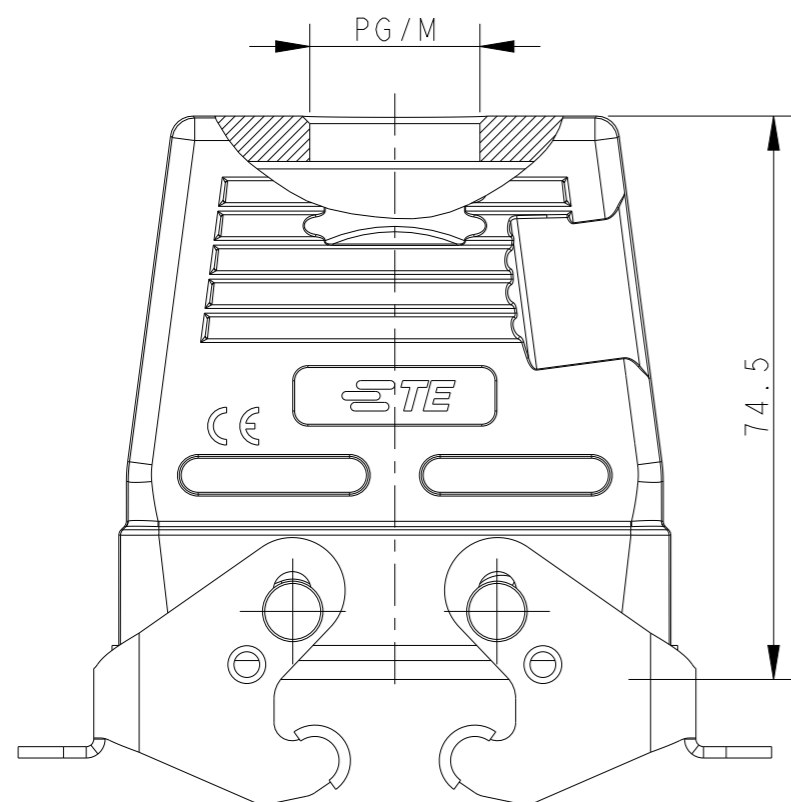


REVISIONS

P	LTR	DESCRIPTION	DATE	DWN	APVD
	A	INITIAL RELEASE	08JUL2015	DL	CW
	B	ECR-20-008181	29JUL2020	WQR	CW
	BI	ECR-21-103925	07JUN2021	WQR	CW



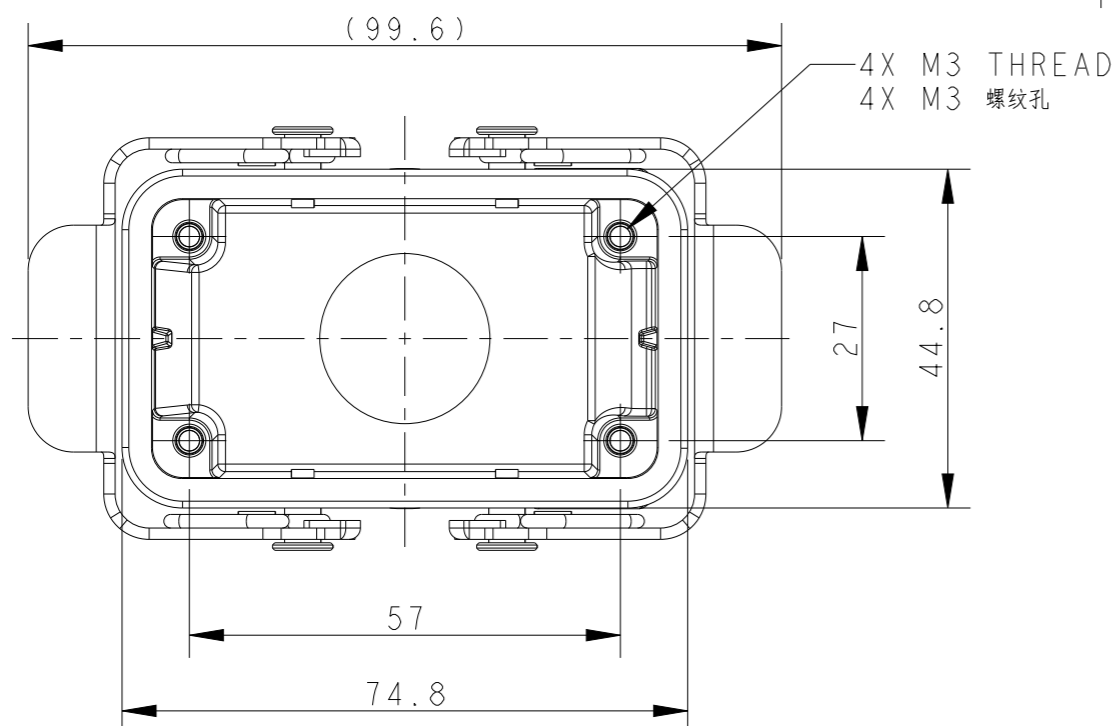
SCALE 3:5

NOTES:

- 1. TECHNICAL CHARACTERISTICS:
 BODY MATERIAL: DIE CAST ALUMINIUM ALLOY
 SURFACE TREATMENT: POWDER-COATED, GRAY
 DEGREE OF PROTECTION: IP65 (MATED)

注释:

- 1. 技术参数:
 主体材料: 铝合金
 表面处理: 粉末喷涂, 灰色
 防护等级: IP65 (配合)



T1750102116-000	H10B-TBFH-PG16	PG16
T1750102121-000	H10B-TBFH-PG21	PG21
T1750102129-000	H10B-TBFH-PG29	PG29
T1750102132-000	H10B-TBFH-M32	M32
ASSEMBLY PART NUMBER	ASSEMBLY PART DESCRIPTION	PG/M

THIS DRAWING IS A CONTROLLED DOCUMENT.		DWN 08JUL2015 DAVID LI	TE Connectivity NAME H10B-TBFH-PG							
DIMENSIONS: mm		CHK 08JUL2015 CHRIS WANG				PRODUCT SPEC 108-137013	SIZE A3	CAGE CODE -	DRAWING NO. ©-T17501021XX000	RESTRICTED TO
TOLERANCES UNLESS OTHERWISE SPECIFIED:		APVD 08JUL2015 XU XIANG				APPLICATION SPEC 114-137013	WEIGHT -	SCALE 1:1	SHEET 1 OF 1	REV BI
MATERIAL -		FINISH -				CUSTOMER DRAWING				

单击下面可查看定价，库存，交付和生命周期等信息

[>>TE Connectivity\(泰科\)](#)