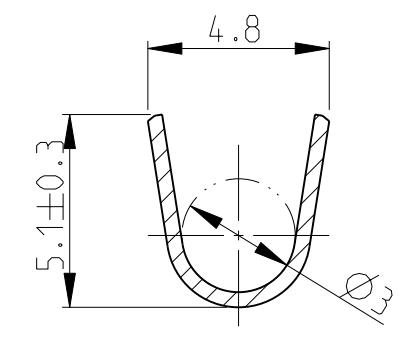
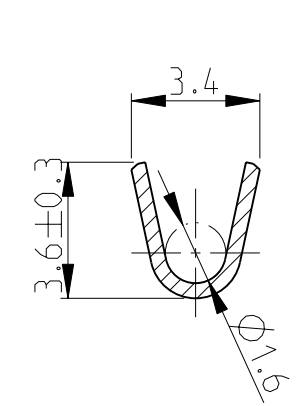
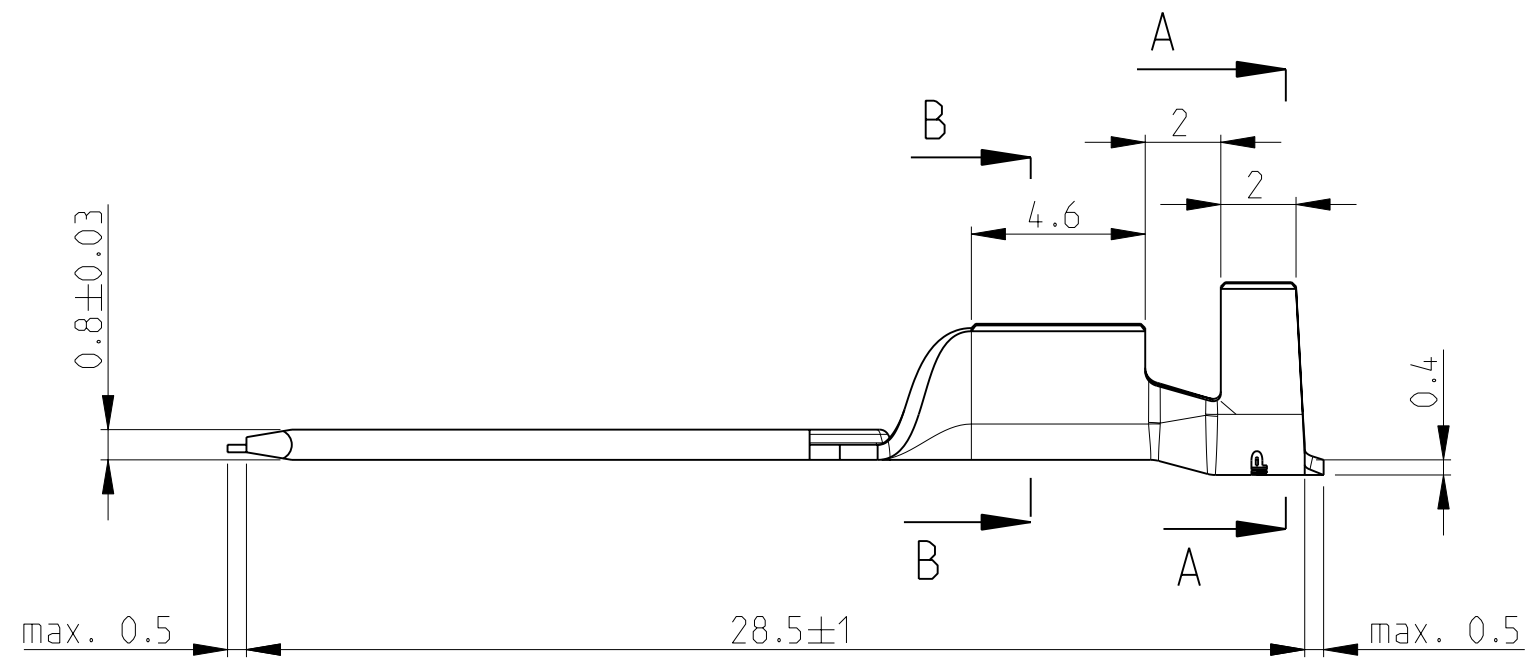


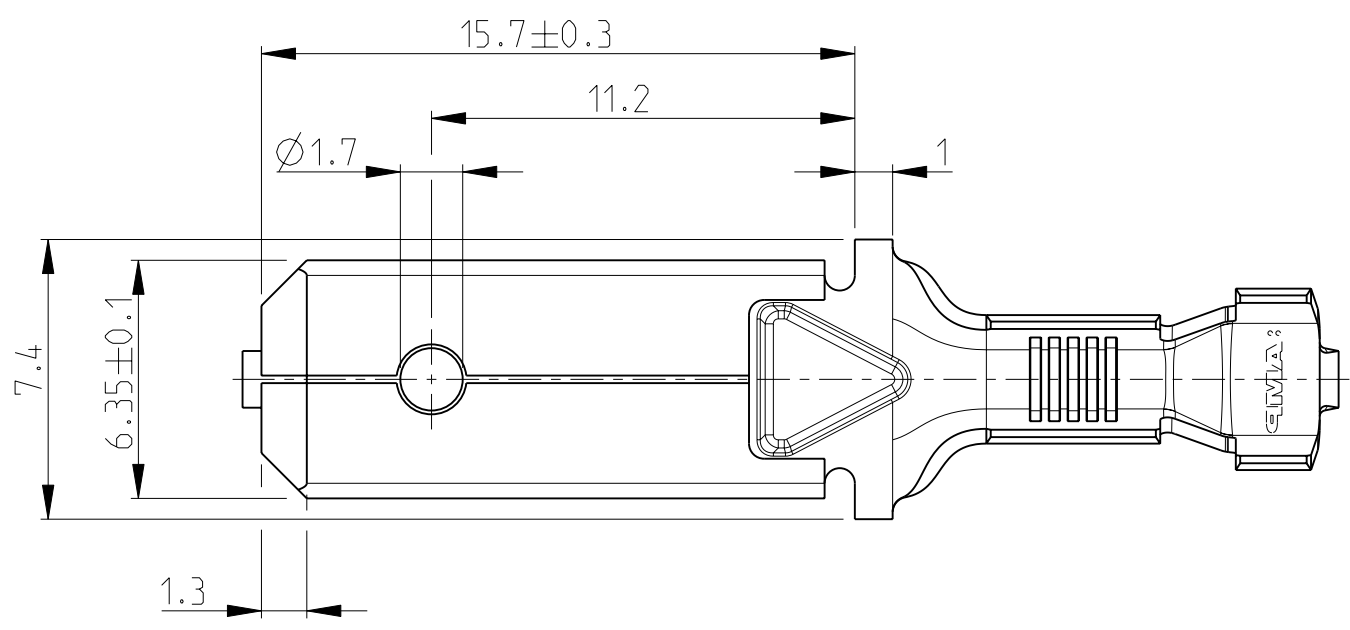
THIS DRAWING IS UNPUBLISHED. RELEASED FOR PUBLICATION 2003
 © COPYRIGHT 2003 BY TYCO ELECTRONICS CORPORATION. ALL RIGHTS RESERVED.

LOC	DIST	REVISIONS			
P	LTR	DESCRIPTION	DATE	DWN	APVD
A1	-	DRAWING RESTYLED	31MAR2004	Ba.	PL.
A1	-	SPLICE FREE VERSION ADDED	08APR2010	PKS	RRP
A2	-	NOTE ON OIL RESIDUE ADDED	09DEC2010	PKS	MP



SECTION B-B
SCALE 5:1

SECTION A-A
SCALE 5:1



- Kontakt geeignet fuer:
 - Lackdraht \varnothing 0.9...1.6mm (auch bei Verwendung von Backlackdraht)
 - Isolation \varnothing 2.5...3.5mm
- SLOT ACCEPTS:
 - MAGNET WIRE 0.9...1.6mm DIA (THE SAME BY ENAMELED WIRE)
 - ISOLATION 2.5...3.5mm DIA

- SPLICE FREE VERSION
- 4. NO VISIBLE OIL RESIDUES

	BLANK	1-928890-1
	BLANK	928890-1
NOTE	FINISH	PART NO

THIS DRAWING IS A CONTROLLED DOCUMENT FOR TYCO ELECTRONICS CORPORATION IT IS SUBJECT TO CHANGE AND THE CONTROLLING ENGINEERING ORGANIZATION SHOULD BE CONTACTED FOR THE LATEST REVISION.		DWN Goerke 25SEP1989	Tyco Electronics AMP GmbH D - 64625 Bensheim				
DIMENSIONS: mm		CHK Ploesser 26SEP1989					
TOLERANCES UNLESS OTHERWISE SPECIFIED: 0 PLC ±- 1 PLC ±- 2 PLC ±- } ±0.2 3 PLC ±- 4 PLC ±- ANGLES ±1°		APVD -	NAME FASTON TAB, SIZE 6.3 (AMPLIVAR) WITH INSULATION SUPPORT				
MATERIAL -		FINISH -	PRODUCT SPEC -	SIZE A3	CAGE CODE 00779	DRAWING NO 928890	RESTRICTED TO -
CUSTOMER DRAWING			SCALE 5:1	SHEET 1 OF 1	REV A2		

单击下面可查看定价，库存，交付和生命周期等信息

[>>TE Connectivity\(泰科\)](#)