

# CODE 78 - HEAT SHRINK BOOT BACKSHELL


225M318-19C-D

SERIES \_\_\_\_\_  
 ORDER NUMBER (TABLE 1) \_\_\_\_\_  
 MATERIAL \_\_\_\_\_  
 REFER TO CH00-0250-004  
 FINISH \_\_\_\_\_  
 REFER TO CH00-0250-004  
 MODIFICATION CODE \_\_\_\_\_  
 REFER TO CH00-0250-004 (2)

## NOTES:

1. THIS PRODUCT IS DESIGNED TO TERMINATE A HEAT SHRINKABLE LIPPED BOOT TO A CONNECTOR.
- (2) FOR ADDITIONAL DIMENSIONS, ORDERING INFORMATION AND MODIFICATIONS, SEE CH00-0250-004.
3. ADAPTOR TO BE PERMANENTLY MARKED/BAGGED AND LABELLED WITH CODE IDENTIFICATION NUMBER AND PART NUMBER. (e.g. 06090-225M312-19B).
- (4) KNURL INSIDE BOOT GROOVE MAY BE SUPPLIED AT MANUFACTURER'S OPTION.
5. ADAPTOR MATES TO BS9522 F0032 (PATT121B) CONNECTORS; ONLY MANUFACTURED BY AB CONNECTORS LTD. SEALING IS ONLY ACHIEVED WHEN USING GROMMETS ABB-\*\*-\*\*-GAC-\*\*\*, SUPPLIED BY AB CONNECTORS

If this document is printed it becomes uncontrolled. Check for the latest revision

DRAWN	K.WINCZURA	DATE	17/06/2015	 3RD ANGLE PROJECTION NOT TO SCALE	<b>TITLE:</b>  HEAT SHRINK BOOT BACKSHELL	 Polanco		
CHECKED		17/06/2015						
APPROVED	K.SHEPPARD	22/06/2015	UNLESS OTHERWISE SPECIFIED ALL DIMENSIONS IN MILLIMETRES GENERAL TOL LINEAR +/-0.25MM ANGULAR +/- 1°					
APPROVED	H.SMITH	24/06/2015						
REVISIONS					<b>ASSY USED ON:</b>  BS9522 F0032 (PATT 121B) CONNECTORS	 TE connectivity		
LTR	DESCRIPTION	DATE	APPROVED					
G	REVISED PER ECN AD94013	04/08/1993	J.KUSTER					
H	REVISED PER ECO-15-009389	24/06/2015	H.SMITH					
TE CAGE CODE: 06090 POLAMCO/TE CAGE CODE: U5792					TE CONNECTIVITY - POLAMCO LTD RESERVES THE RIGHT TO AMEND THIS DRAWING AND THERE SHOULD BE NO DEPENDENCY ON THEIR APPLICATION.	DRAWING NO: <b>225M3XX</b>	DRAWING REV: <b>H</b>	SHT <b>1</b>

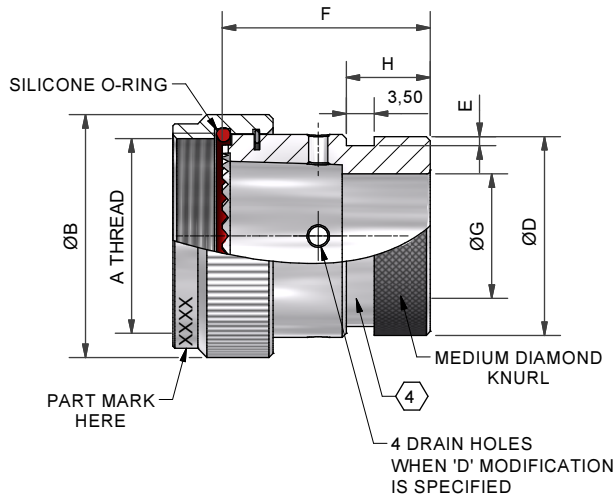
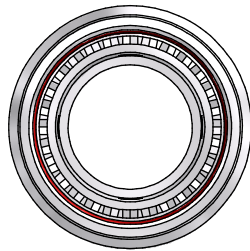



TABLE 1

BASE PART NUMBER	SHELL SIZE	A THREAD	ØB MAX	ØD MAX	E +0,20/-0,00	F	ØG MIN	H MAX
225M312	10SL, 12S	5/8-24UNEF	20,3	15,4	1,12	26,0	7,8	10,80
225M314	14S	3/4-20UNEF	23,7	19,2	1,12	26,0	10,8	10,80
225M316	16, 16S	7/8-20UNEF	26,7	20,9	1,12	26,0	13,3	10,80
225M318	18	1-20UNEF	30,3	24,8	1,12	26,0	15,3	10,80
225M320	20	1 1/8-18UNEF	35,3	31,2	1,75	26,0	18,3	10,80
225M322	22	1 1/4-18UNEF	38,3	34,8	1,75	26,0	21,8	10,80
225M324	24	1 3/8-18UNEF	41,3	36,8	1,75	26,0	25,3	10,80
225M328	28	1 5/8-18UNEF	47,8	43,8	1,75	26,0	30,8	14,91
225M332	32	1 7/8-16UN	54,2	48,8	2,20	30,0	36,8	14,91
225M336	36	2 1/16-16UNS	62,2	57,8	2,20	30,0	40,8	14,91

If this document is printed it becomes uncontrolled. Check for the latest revision

DRAWN	K.WINCZURA	DATE	17/06/2015	 3RD ANGLE PROJECTION NOT TO SCALE	<b>TITLE:</b>  <b>HEAT SHRINK BOOT BACKSHELL</b>	 Polanco
CHECKED		17/06/2015				
APPROVED	K.SHEPPARD	22/06/2015	UNLESS OTHERWISE SPECIFIED ALL DIMENSIONS IN MILLIMETRES GENERAL TOL LINEAR +/-0,25MM ANGULAR +/- 1°			
APPROVED	H.SMITH	24/06/2015				
<b>REVISIONS</b>					<b>ASSY USED ON:</b>  <b>BS9522 F0032 (PATT 121B) CONNECTORS</b>	 TE connectivity
LTR	DESCRIPTION	DATE	APPROVED			
G	REVISED PER ECN AD94013	04/08/1993	J.KUSTER			
H	REVISED PER ECO-15-009389	24/06/2015	H.SMITH			
TE CAGE CODE: 06090 POLAMCO/TE CAGE CODE: U5792					TE CONNECTIVITY - POLAMCO LTD RESERVES THE RIGHT TO AMEND THIS DRAWING AND TO INDEPT SHOULD IN THEIR APPLICATION.	DRAWING NO: <b>225M3XX</b>
					DRAWING REV: <b>H</b>	SHT <b>2</b>

单击下面可查看定价，库存，交付和生命周期等信息

[>>TE Connectivity\(泰科\)](#)