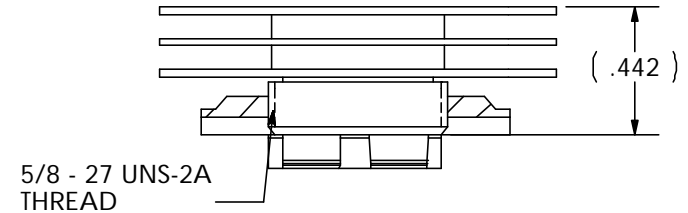
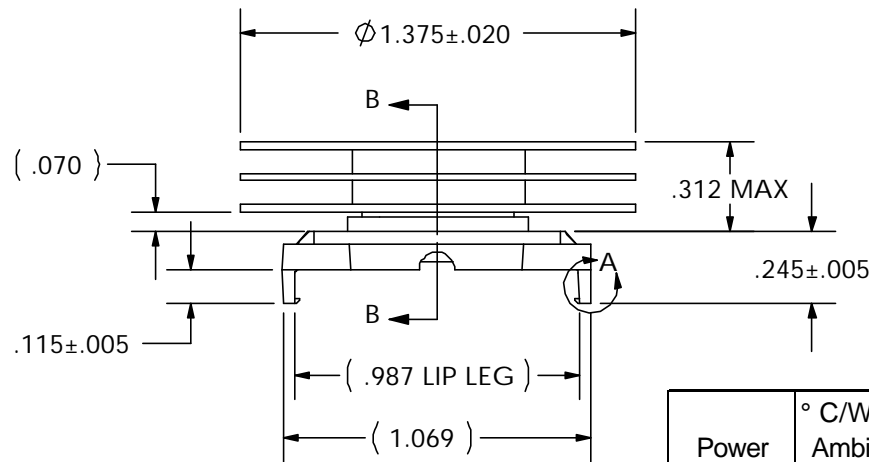
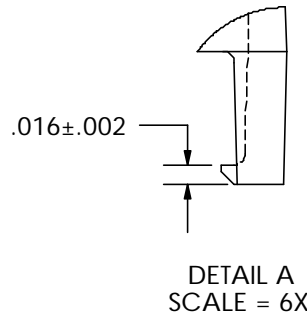
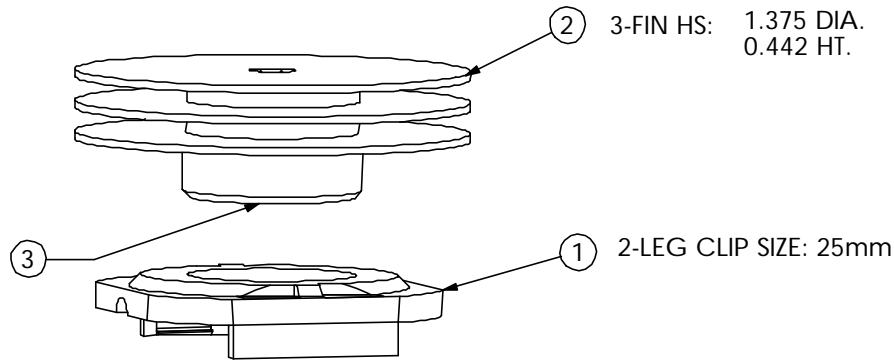


REVISION(S)

LTR	DESCRIPTION	INIT	APP'D
O	ECN: 0S60-0115-04	E.T 4/29/04	B.P 4/29/04
A	ECR-06-011163	E.T 5/18/06	V.K 5/18/06



Power	° C/W @ Ambient	° C/W @ 200 LFM	° C/W @ 400 LFM	° C/W @ 600 LFM
5 Watts	13.23	5.99	4.05	3.45
10 Watts	11.44	6.03	3.84	3.31
15 Watts	10.46	6.04	3.72	3.28

CUSTOMER DRAWING

SPECIFICATIONS ARE SUBJECT TO CHANGE WITHOUT NOTICE

ITEM	DESCRIPTION	QTY	DO NOT SCALE
1	MOUNTING CLIP	1	tyco / Electronics <small>UNLESS OTHERWISE SPECIFIED TOLERANCES ARE:</small> .XX ± . .XXX ± . .XXX ± . ANGLES ± °
2	HEAT SINK	1	
3	INTERFACE	1	

tyco / Electronics Attleboro Falls Massachusetts 02763			
DRAWN BY: E.TAO	DATE 04/29/04	MATERIAL: SEE NOTE	
ENGINEER: B.PETROCELLI	DATE 04/29/04	FINISH: SEE NOTE	
FILENAME	PROJECT	SYSTEM	

CONFIDENTIAL PROPERTY OF TYCO ELECTRONICS. NOT TO BE DISCLOSED TO OTHERS. REPRODUCED OR USED FOR ANY PURPOSES EXCEPT AS AUTHORIZED IN WRITING BY AN AUTHORIZED OFFICIAL OF TYCO. MUST BE RETURNED TO TYCO ON DEMAND, ON COMPLETION OF ORDERS OR OTHER PURPOSES FOR WHICH LENT.		TITLE: 25mm HS ASS'Y (HTS207-P)	
DIMENSIONS ARE IN: INCHES	SCALE: 1.5:1	PART NO: 6-1542000-3	SHEET: 1 OF 1
THIRD ANGLE PROJECTION	SIZE: A	DWG. NO. C-6-1542000-3	REV: A

单击下面可查看定价，库存，交付和生命周期等信息

[>>TE Connectivity\(泰科\)](#)