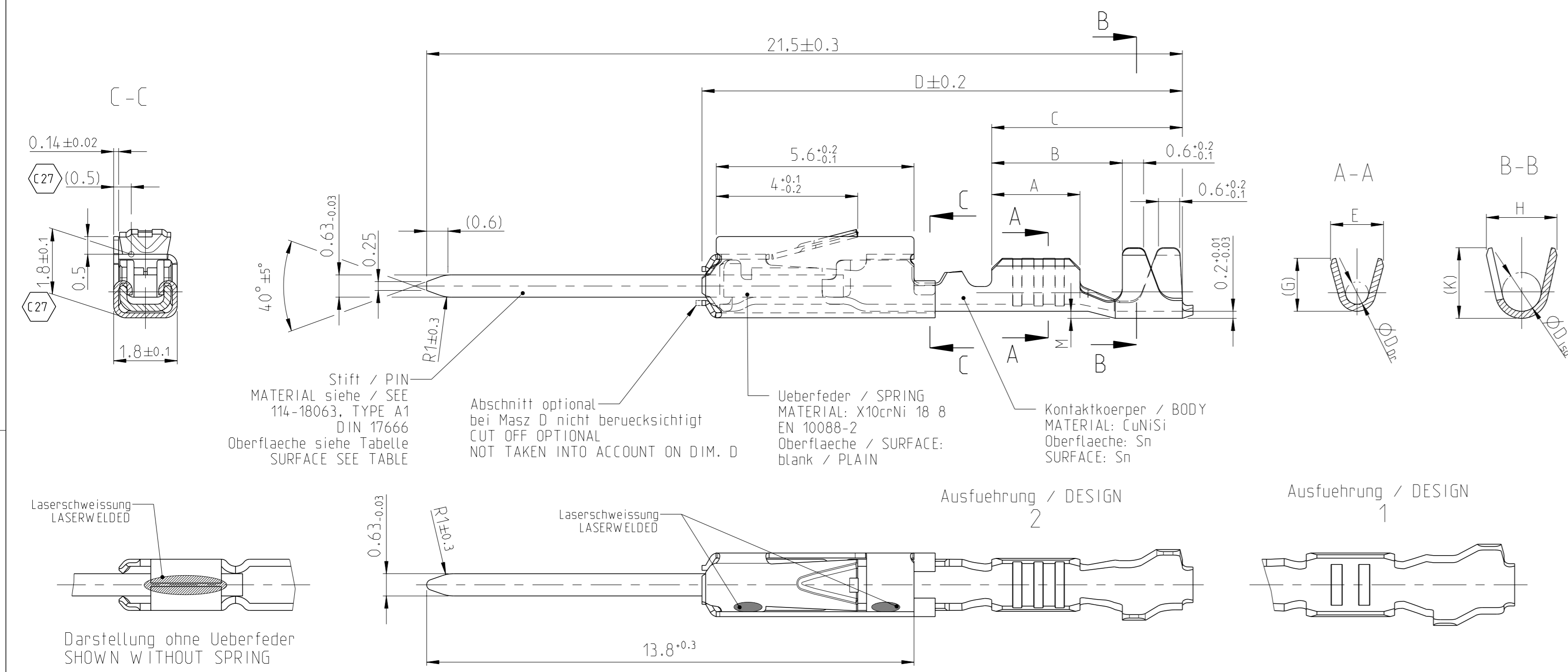
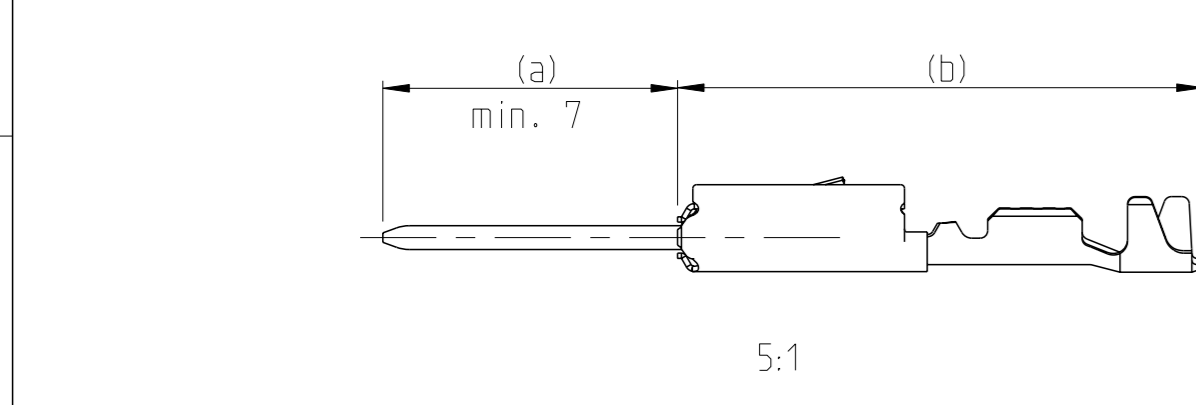


Normale Anwendung
USUAL APPLICATION



Oberflaeche / FINISH

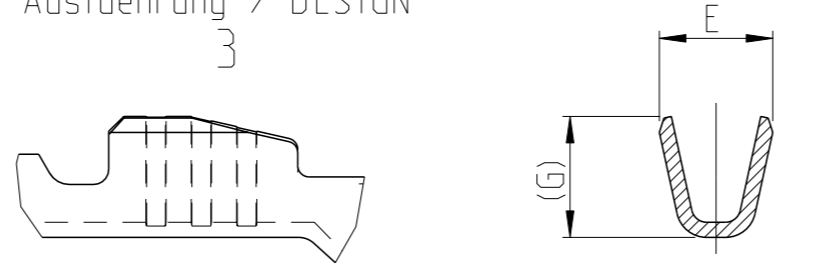


Sn: verzinnete Ausfuehrung
TINNED
(a) PIN: 0.8µm - 3.0µm Sn ueber/OVER 1.27µm - 3.0µm Ni
(b) Kontaktkoerper/BODY: 0.8µm - 2.0µm Sn

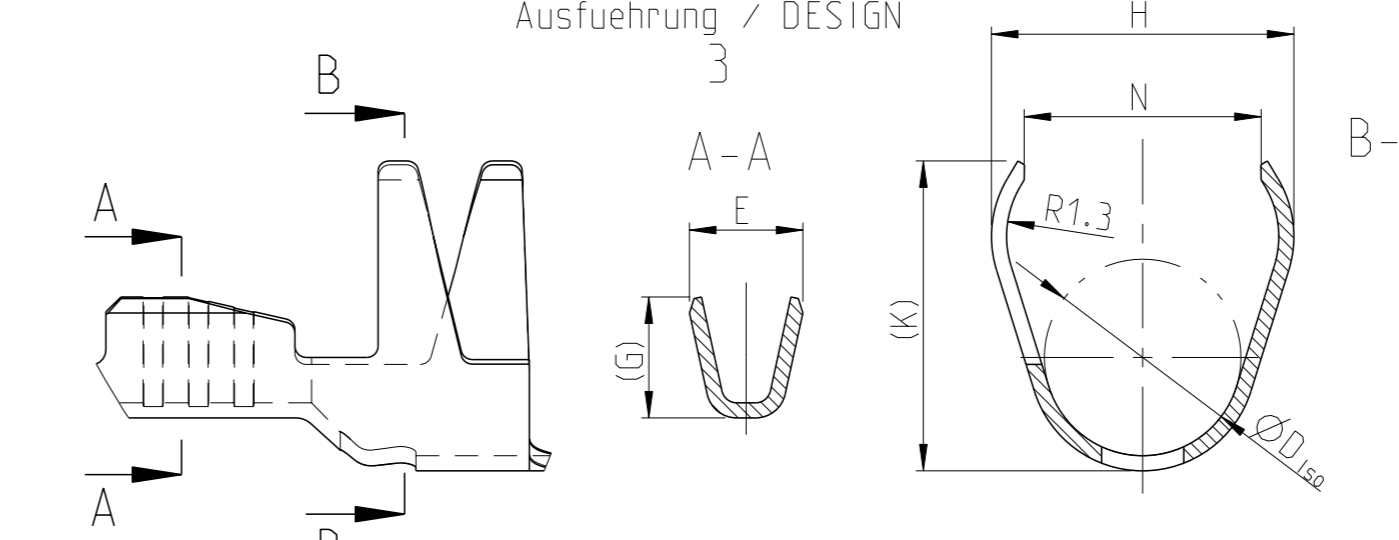
Ag: versilbert
SILVER
(a) PIN: 2.0µm - 6.0µm Ag
(b) Kontaktkoerper/BODY: 0.8µm - 2.0µm Sn

Au: vergoldet
GOLD
(a) PIN: min. 0.8µm Au ueber/OVER 1.0µm - 2.2µm Ni
(b) Kontaktkoerper/BODY: 0.8µm - 2.0µm Sn

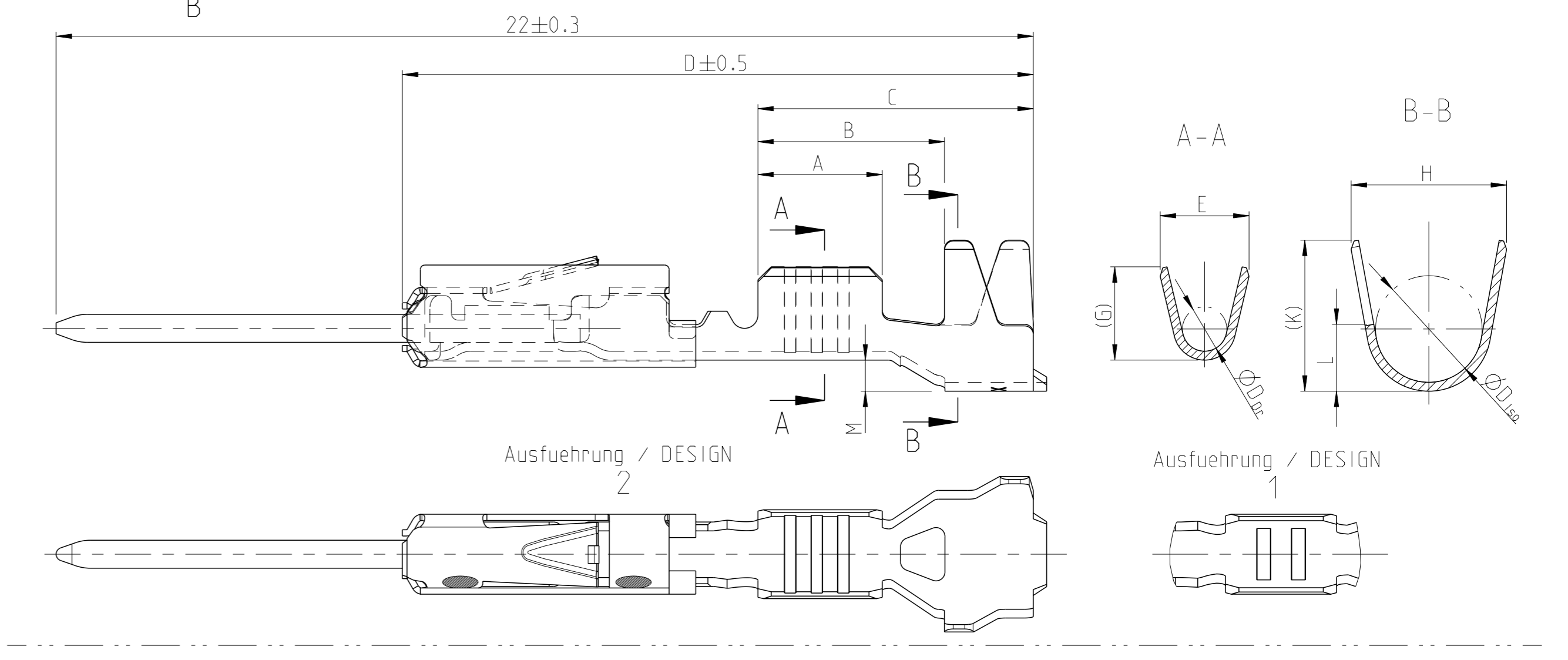
Ausfuehrung / DESIGN 3



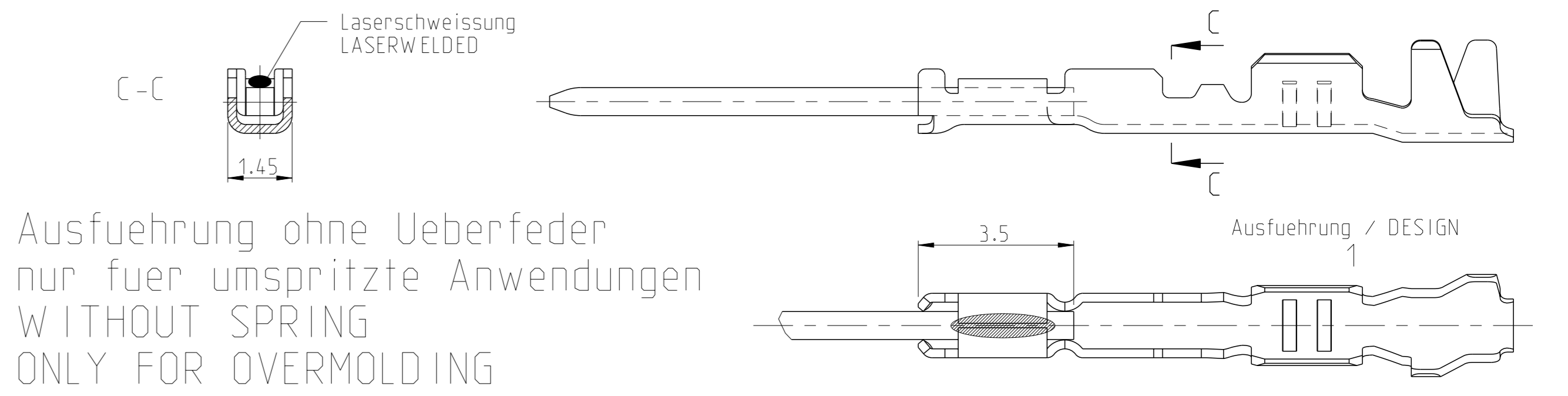
Ausfuehrung / DESIGN 3



Einzeldichtungssystem
SINGLE WIRE SEAL SYSTEM



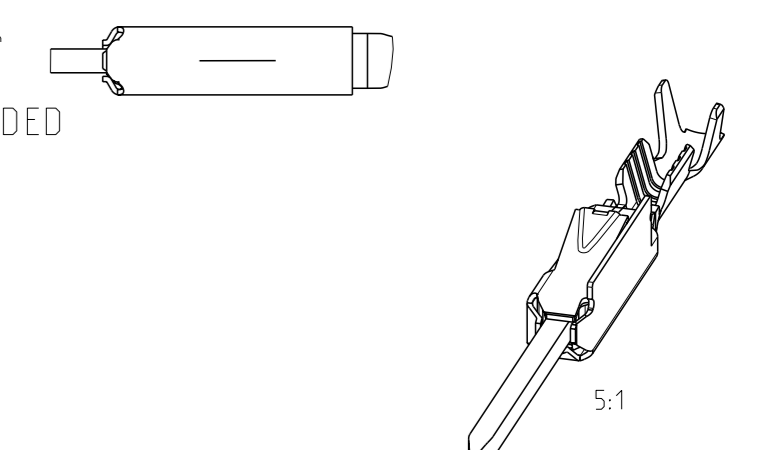
Ausfuehrung ohne Ueberfeder
nur fuer umspritzte Anwendungen
WITHOUT SPRING
ONLY FOR OVERMOLDING



Part No.	Design	Material	Finish	Length	Weight	Wire Size	Surface	Length	Wire Crimp	Insulation	Weight	Blindstopfen	Blindstopfen
5-965908-3	A	Ag	A = 2.8 B = 4.2 C = 6.2 D = 14.3 M = 0.7	E = 2 G = 2.1 D _{Dr} = 1	H = 3.5 K = 3.4 L = 1.5 D _{ISO} = 2.4	0.18	0.75	1.4-1.9	967067-1 gruen GREEN	963142-1 schwarz BLACK	963143-1 weiss WHITE		
5-965908-2	F	Au	A = 2.5 B = 3.5 C = 5.9 D = 14 M = 0.7	E = 1.8 G = 1.8 D _{Dr} = 0.8	H = 3.5 K = 3.4 L = 1.5 D _{ISO} = 2.4	0.16	0.35	0.9-1.4	967067-2 gelb YELLOW	963142-2 grau GREY			
5-965908-1	D	Sn	A = 2.5 B = 4 C = 5.9 D = 13.9 M = 0.6	E = 1.5 G = 1.4	H = 4 K = 3.9 L = 3.1 D _{ISO} = 2.6	0.15	0.13	0.85-1.25	967067-2 gelb YELLOW	963142-2 grau GREY			
5-962886-3	A	Ag	A = 2.8 B = 3.8 C = 5.6 D = 13.65 M = 0.2	E = 2 G = 2.1 D _{Dr} = 1	H = 2.7 K = 2.9 L = 0.7 D _{ISO} = 1.6	0.17							
5-962886-2	R	Au	A = 2.5 B = 3.6 C = 5.6 D = 13.65 M = 0.2	E = 1.8 G = 1.8 D _{Dr} = 0.8	H = 2.3 K = 2.3 L = 0.6 D _{ISO} = 1.4	0.16							
5-962886-1	N	Sn	A = 2.5 B = 3.7 C = 5.4 D = 13.65 M = 0	E = 1.5 G = 1.4	H = 2 K = 1.9 D _{ISO} = 1.1	0.15							
214-1830-3	A	Ag	A = 2.5 B = 3.7 C = 5.4 D = 13.65 M = 0	E = 1.5 G = 1.5 D _{Dr} = 0.65	H = 2 K = 2 D _{ISO} = 1.1	0.15							
214-1830-2	A	Au											
214-1830-1	A	Sn											
6-963716-2	A	Au											
6-963716-1	A	Sn											
5-963716-3	A	Ag											
5-963716-2	Z	Au											
5-963716-1	W	Sn											
6-928918-3	Z	Ag											
6-928918-2	A	Au											
6-928918-1	W	Sn											
5-928918-2	A	Ag											
5-928918-1	W	Sn											
214-1828-3	A	Ag											
214-1828-2	A	Au											
214-1828-1	A	Sn											
1355719-3	A	Ag											
1355719-2	C	Au											
1355719-1	C	Sn											

NOTES

- Datumcode (Woche/Jahr z.B. KW 38/Jahr2009) und TE-Revision (z.B. Rev. A)
DATE CODE (WEEK/YEAR E.G. WEEK NUMBER 38/YEAR2009) AND TE REVISION (E.G. REV. A)
- Passend zu Buchsenkontakt siehe Zeichnung 929454
SUITABLE FOR SOCKET CONTACT SEE DRAWING 929454
- Einzelheiten der Ausfuehrung bleiben dem Hersteller ueberlassen
DETAILS OF DESIGN ARE LEFT TO MANUFACTURER
- Nur fuer FLR-Leitung nach DIN 72551 Teil 6
FOR FLR-CONDUCTOR ACCORDING TO DIN 72551-6 ONLY
- nicht fuer Neuanwendung
NOT FOR NEW APPLICATION
- zugverstaerkte Leitung nach LV 112-4
REINFORCED WIRE ACCORDING LV 112-4
- Bei doppelt fallenden Werkzeugen wird die erste Ueberfeder mit einer Kennzeichnung "-" versehen
WITH DOUBLE OUT DIES THE FIRST SPRING WILL BE PROVIDED WITH AN INDICATION "-"



THIS DRAWING IS A CONTROLLED DOCUMENT.		OWN: S. Garcia 06JAN1999	TE Connectivity	
DIMENSIONS: mm		CHK: R. Jetter 06JAN1999	NAME: MQS	
TOLERANCES UNLESS OTHERWISE SPECIFIED:		APVD: M. Bleicher 13AUG2003	TABLETZEICHNUNG STIFTKONTAKT	
MATERIAL: -		PRODUCT SPEC: 108-18030	TABLET PIN CONTACT	
FINISH: -		APPLICATION SPEC: 114-18021 / -18025	RESTRICTED TO: -	
WEIGHT: -		SCALE: 10:1	SHEET 1 OF 1	
CUSTOMER DRAWING		REV: C27		

单击下面可查看定价，库存，交付和生命周期等信息

[>>TE Connectivity\(泰科\)](#)