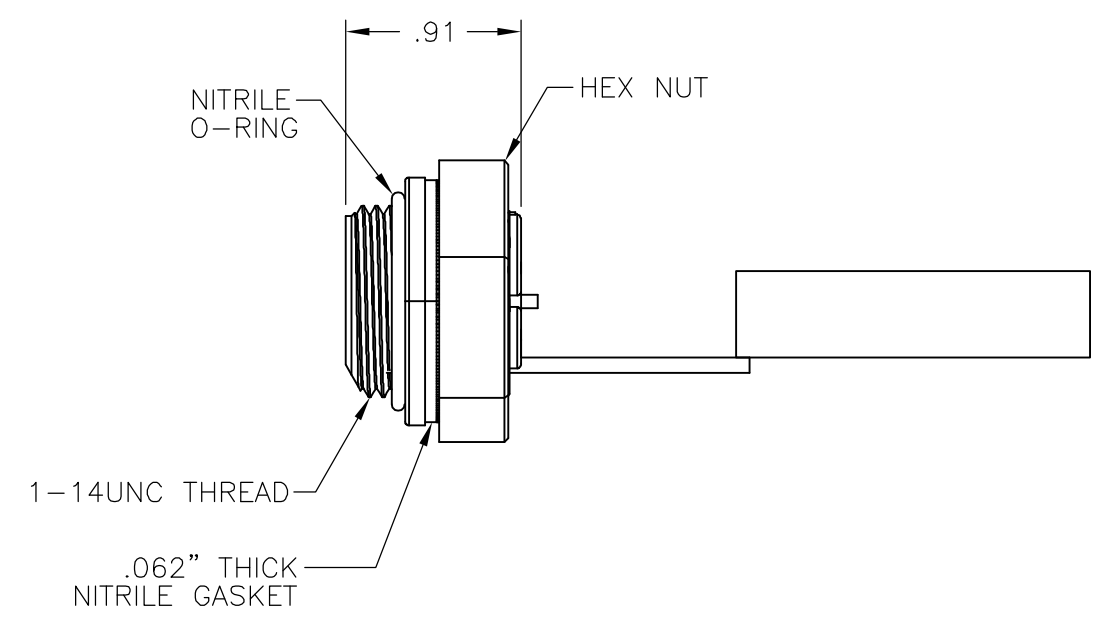
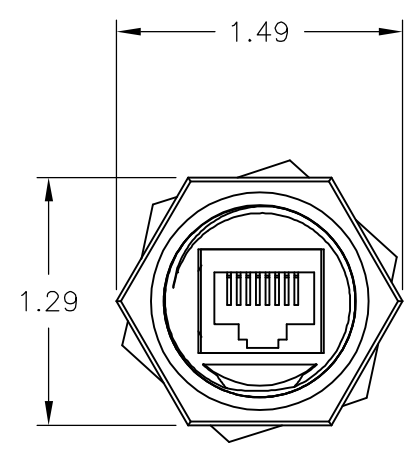
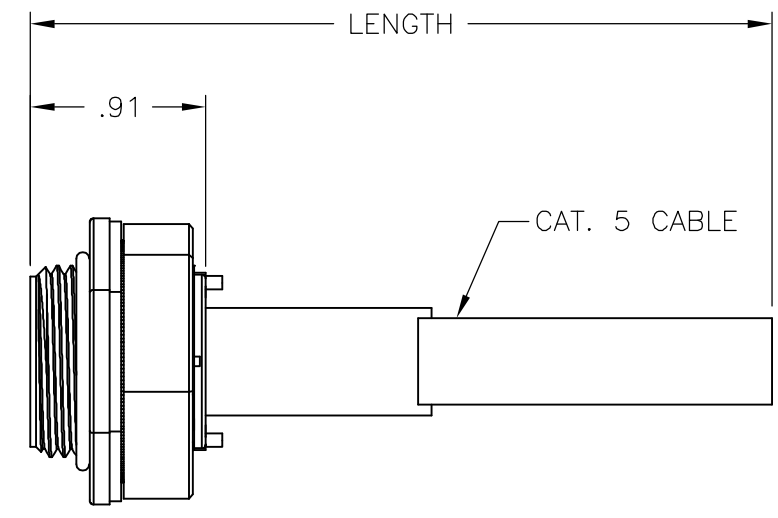
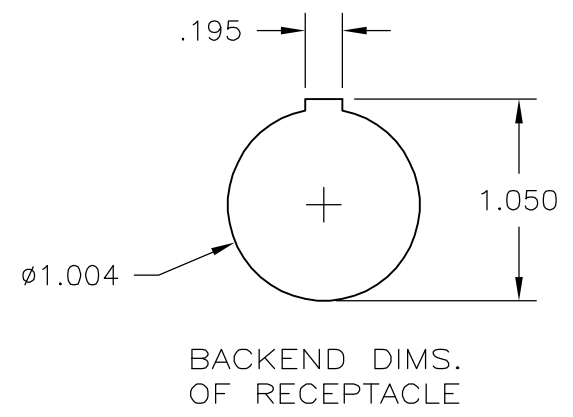


THIS DRAWING IS UNPUBLISHED. RELEASED FOR PUBLICATION
 © COPYRIGHT - BY TYCO ELECTRONICS CORPORATION. ALL RIGHTS RESERVED.

LOC	DIST	REVISIONS					
FT	0	P	LTR	DESCRIPTION	DATE	DWN	APVD
			B	REVISED PER ECO-06-16025	7/7/06	SS	DC



	1-1546412-1
SUPERSEDED	1546412-1
	PART NO.

THIS DRAWING IS A CONTROLLED DOCUMENT.		DWN	S SCHLEGEL	09OCT2002	tyco Electronics	Tyco Electronics Corporation		
DIMENSIONS: INCHES		CHK	H WAKEEM	10/9/02		Harrisburg, PA 17105-3608		
TOLERANCES UNLESS OTHERWISE SPECIFIED:		APVD	H WAKEEM	10/9/02	NAME			
0 PLC ± -		PRODUCT SPEC		RECEPTACLE WITH PCB & 12 INCH OF CABLE (568B)				
1 PLC ± -		APPLICATION SPEC		SIZE		CAGE CODE	DRAWING NO	RESTRICTED TO
2 PLC ± .02		-		A3		00779	C=1546412	-
3 PLC ± .005		-		CUSTOMER DRAWING		SCALE	SHEET	REV
4 PLC ± -		-		-		NTS	1 OF 1	B
ANGLES ± 2'		-		-		-		
MATERIAL		FINISH		-		-		

单击下面可查看定价，库存，交付和生命周期等信息

[>>TE Connectivity\(泰科\)](#)