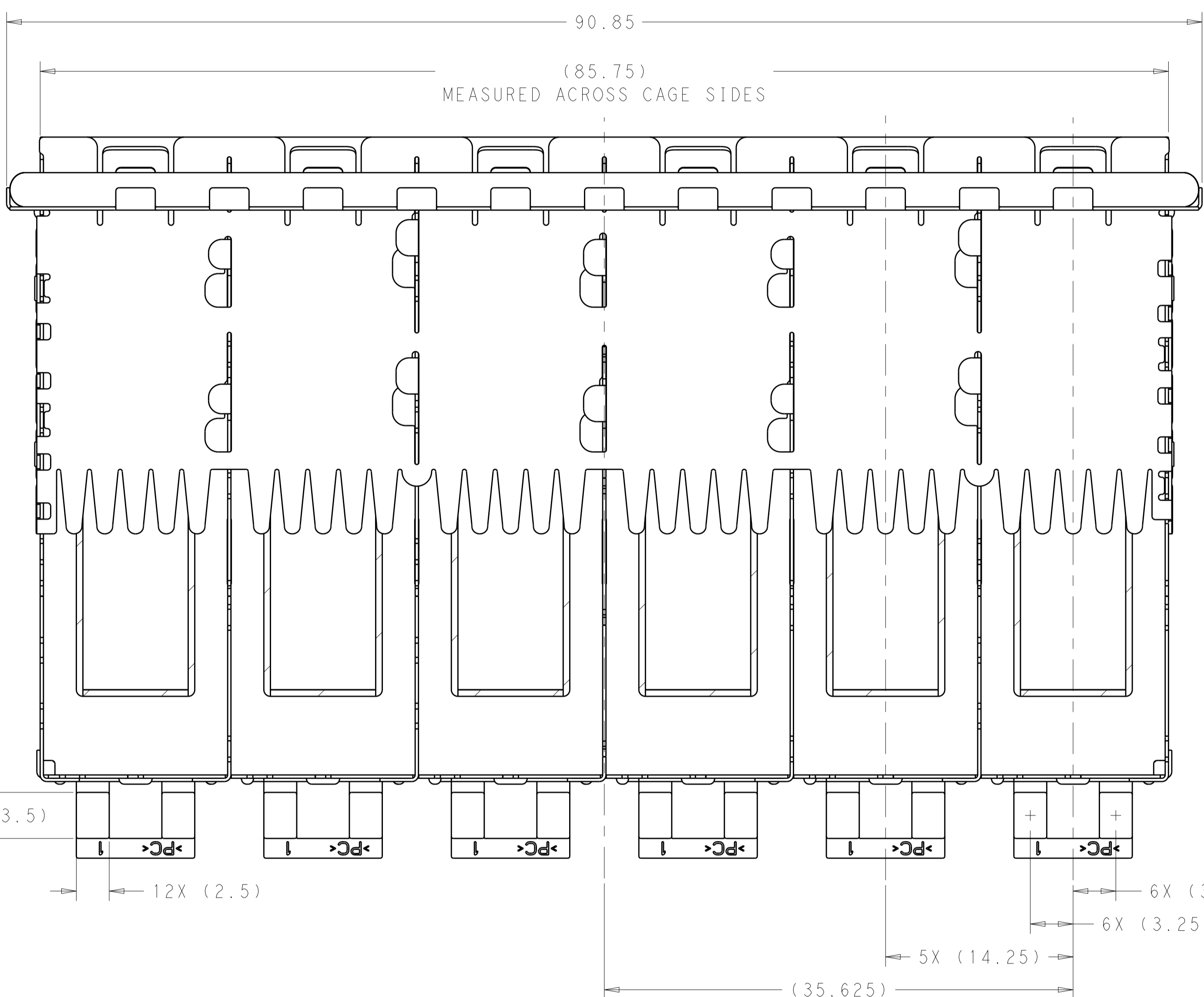
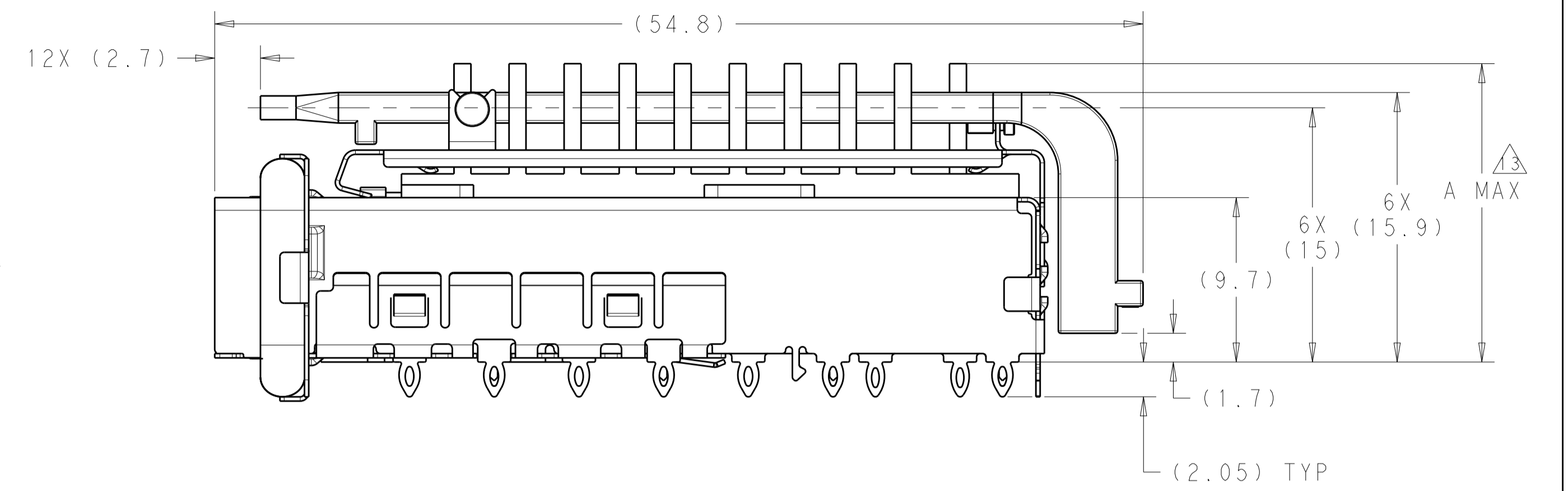
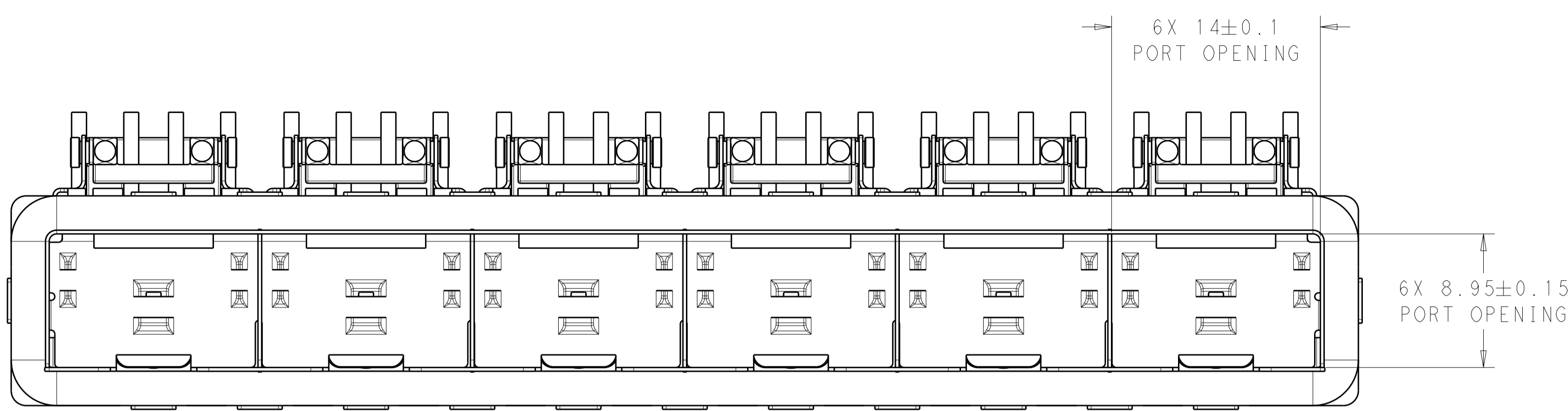
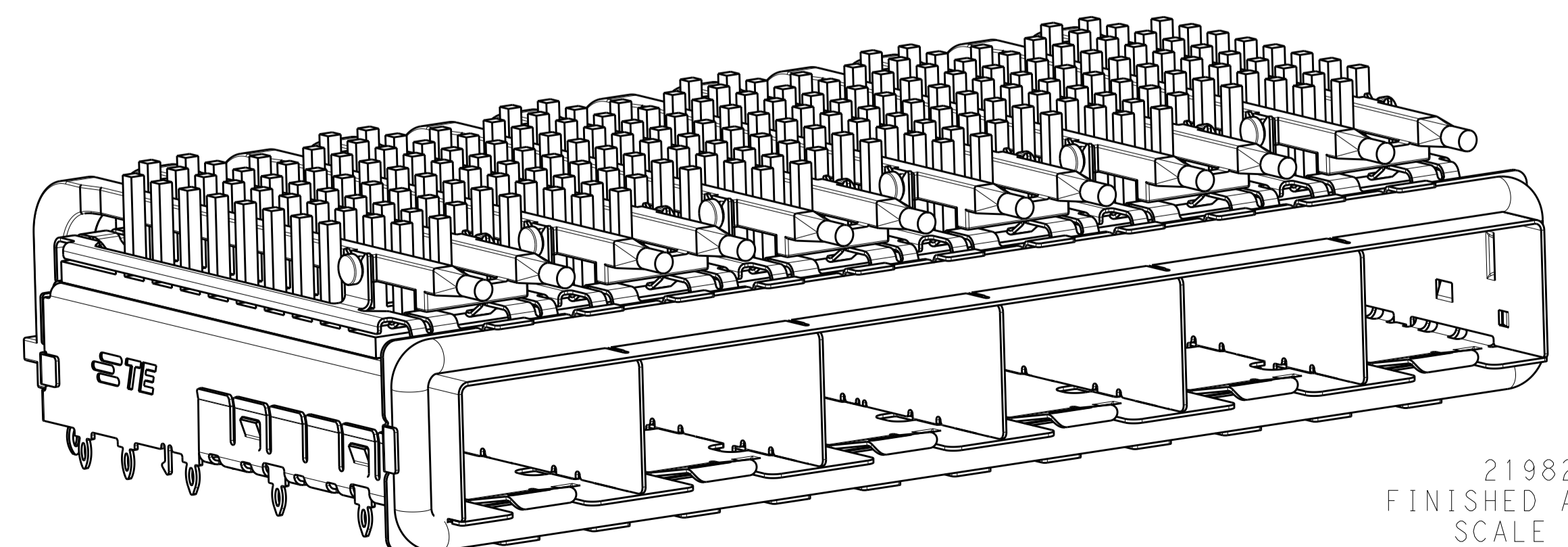


LOC	DIST	REVISIONS			
GP	00	REV	DATE	BY	APPV
		A	RELEASED PER ECO-12-013192	06SEP2012	BMM MRS



- 1 MATERIAL:
CAGE ASSEMBLY: NICKEL SILVER ALLOY, 0.25mm THICK.
GASKET RETENTION PLATE: STAINLESS STEEL
EMI GASKET: PLATED FILLED SILICONE
HEATSINK/LIGHTPIPE CLIP: STAINLESS STEEL
HEATSINK: ALUMINUM
LIGHTPIPE: PLYCARBONATE, CLEAR
- 2 FINISH:
HEATSINK: ELECTROLESS NICKEL
HEATSINK/LIGHTPIPE CLIP: PASSIVATE
- 3 PADS AND VIAS CHASSIS GROUND.
- 4 INTERPRETATION OF DATUM REFERENCE FRAME IN ACCORDANCE WITH SECT 4.4.1.1 OF ASME Y14.5M-1994.
- 5 MATES WITH SFP MSA COMPLIANT TRANSCEIVERS.
- 6 HOLE PATTERN REPEATS FOR EACH PORT. SPACING BETWEEN PORTS IS 14.25mm.
- 7 DATUM AND BASIC DIMENSION ESTABLISHED BY CUSTOMER.
- 8 REFERENCE APPLICATION SPEC. 114-13120, HOLE A, FOR RECOMMENDED DRILL HOLE DIAMETER AND PLATING THICKNESS.
- 9 REFERENCE APPLICATION SPEC. 114-13120, HOLE B, FOR RECOMMENDED DRILL HOLE DIAMETER AND PLATING THICKNESS.
- 10 MINIMUM PCB THICKNESS:
SINGLE SIDED = 1.50mm
- 11 CERTAIN MATING TRANSCEIVERS MAY REQUIRE ADDITIONAL PCB THICKNESS THAT WOULD BE DETERMINED BY THE CUSTOMER.
- 12 PRODUCT COMPLIES WITH SPECIFICATION SFF-8433 IMPROVED PLUGGABLE FORM FACTOR FOR SFP+ GANGED CAGES.
- 13 DIMENSION APPLIES PRIOR TO INSERTION OF SFP MODULE.
- 14 HEATSINK, HEATSINK CLIP, AND LIGHTPIPE SHIPPED UNASSEMBLED TO CAGE ASSEMBLY. CAGE ASSEMBLY TO BE PRESSED INTO PCB PRIOR TO ATTACHING HEATSINK, HEATSINK CLIP, AND LIGHTPIPE TO THE CAGE ASSEMBLY.
- 15 PACKAGED AS A COMPLETE ASSEMBLY.

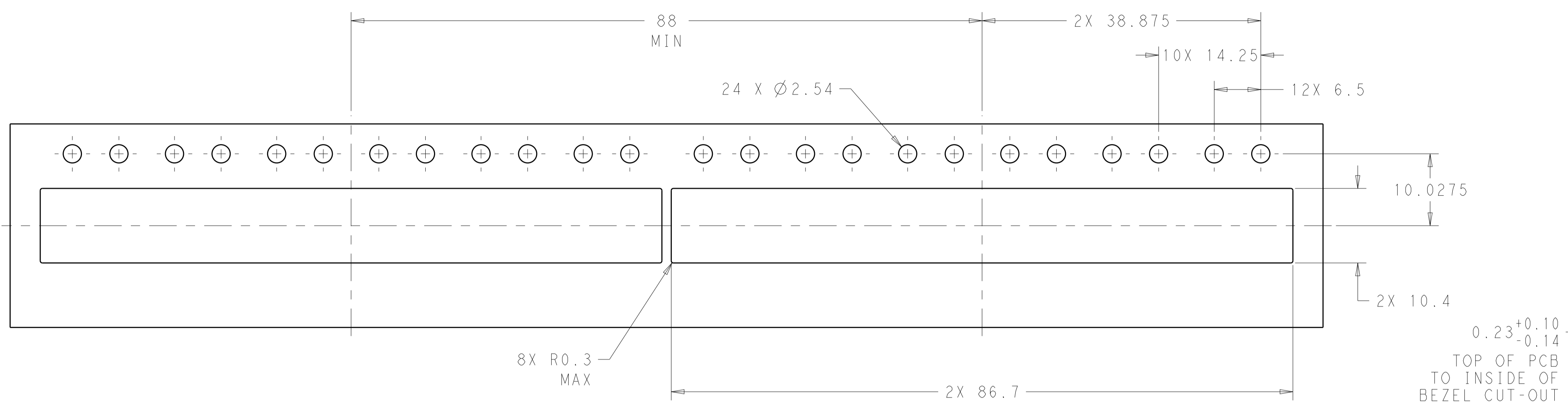


2198228
FINISHED ASSEMBLY
SCALE 3:1

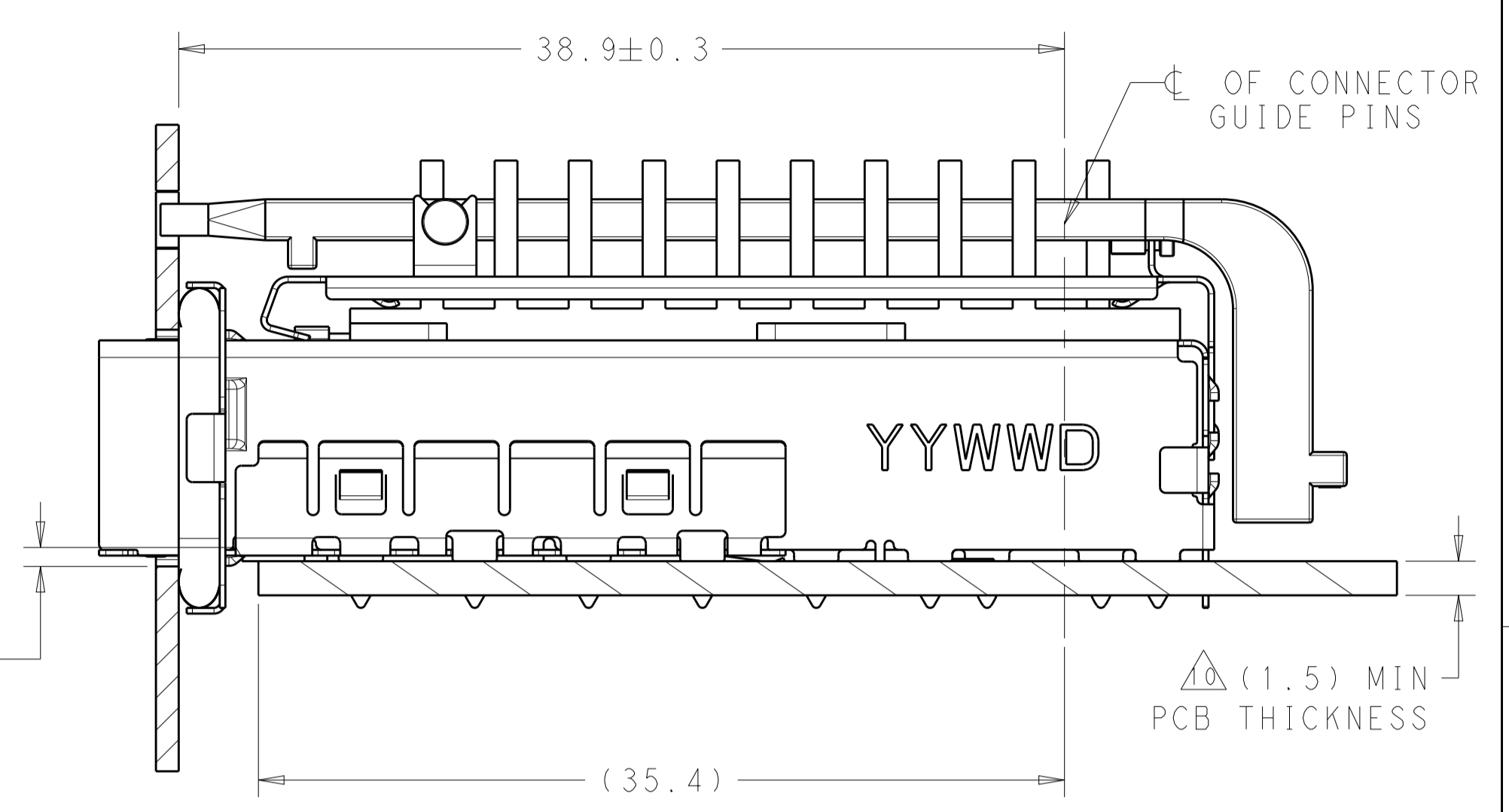
22.5	NETWORKING, TALL	2198228-4
18.1	NETWORKING, SHORT	2198228-3
15.5	SAN	2198228-2
13.2	PCI	2198228-1
A MAX	APPLICATION	PART NUMBER

THIS DRAWING IS A CONTROLLED DOCUMENT.		OWN: B. MATTHEWS, 26OCT2011	TE Connectivity
DIMENSIONS: mm		CHK: M. SCHMITT, 26OCT2011	
TOLERANCES UNLESS OTHERWISE SPECIFIED:		APPV: M. SCHMITT, 26OCT2011	NAME: SFP+ ENHANCED 1X6 CAGE ASSEMBLY, PRESS FIT, EMI GASKET WITH HEATSINK AND LIGHTPIPE PRODUCT SPEC: 108-2364 APPLICATION SPEC: 114-13120 SIZE: CAGE CODE DRAWING NO: A100779 WEIGHT: - SCALE: 4:1 SHEET 1 OF 3 REV A
0 PLC ±0.1		RESTRICTED TO:	
1 PLC ±0.1		CUSTOMER DRAWING	
2 PLC ±0.1			

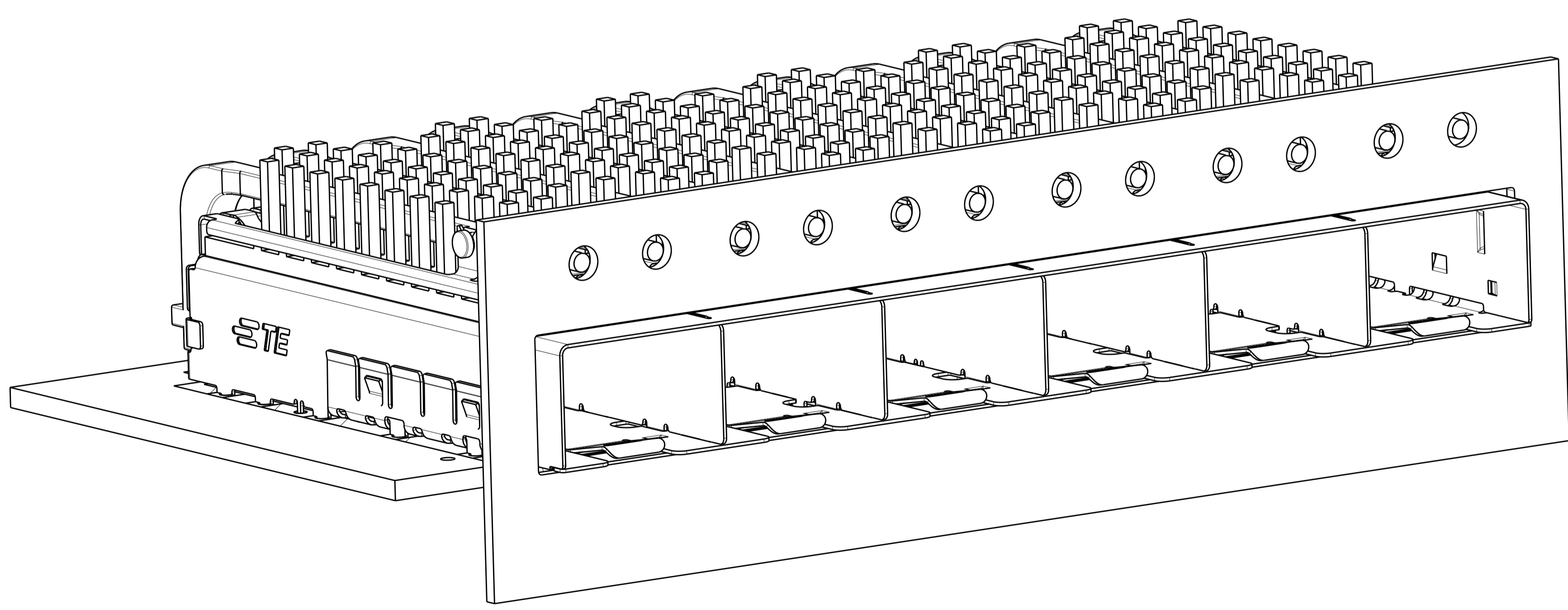
LOC		DIST		REVISIONS			
GP	00	P	LTN	DESCRIPTION	DATE	DNW	APVD
		-		SEE SHEET 1			



RECOMMENDED BEZEL CUT-OUT
 SINGLE SIDED APPLICATIONS
 SCALE 5:2



2198228
 MOUNTED ON PC BOARD
 SHOWN THRU RECOMMENDED BEZEL

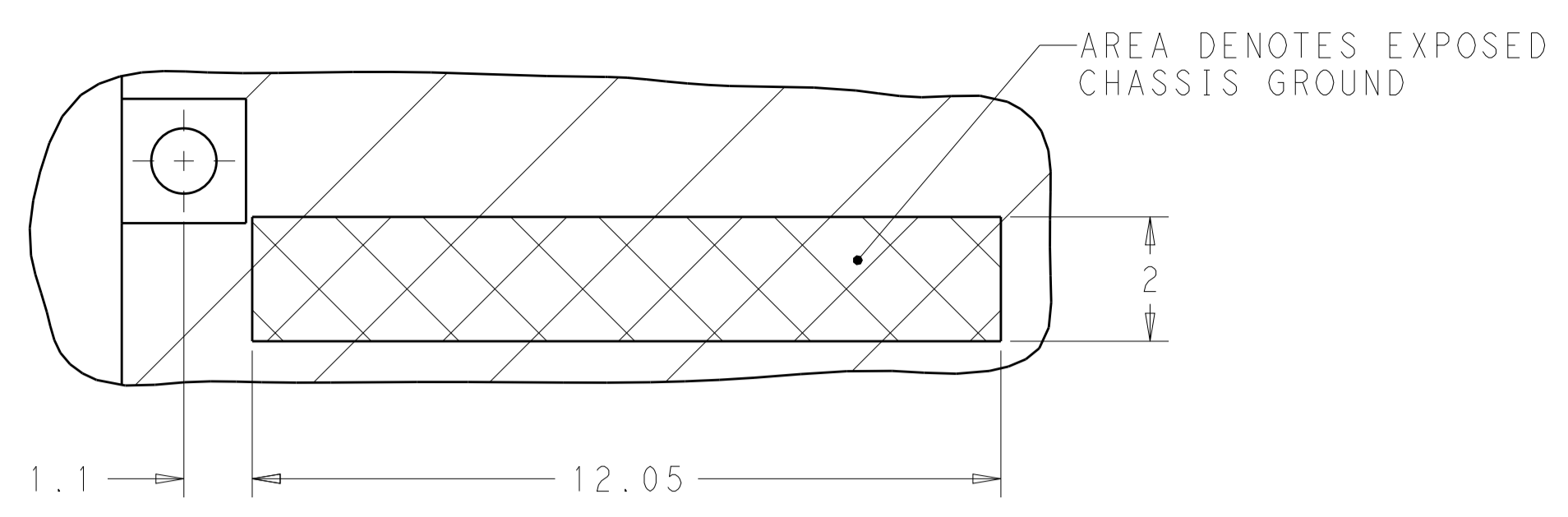


2198228
 MOUNTED ON PCB
 SHOWN THRU RECOMMENDED BEZEL

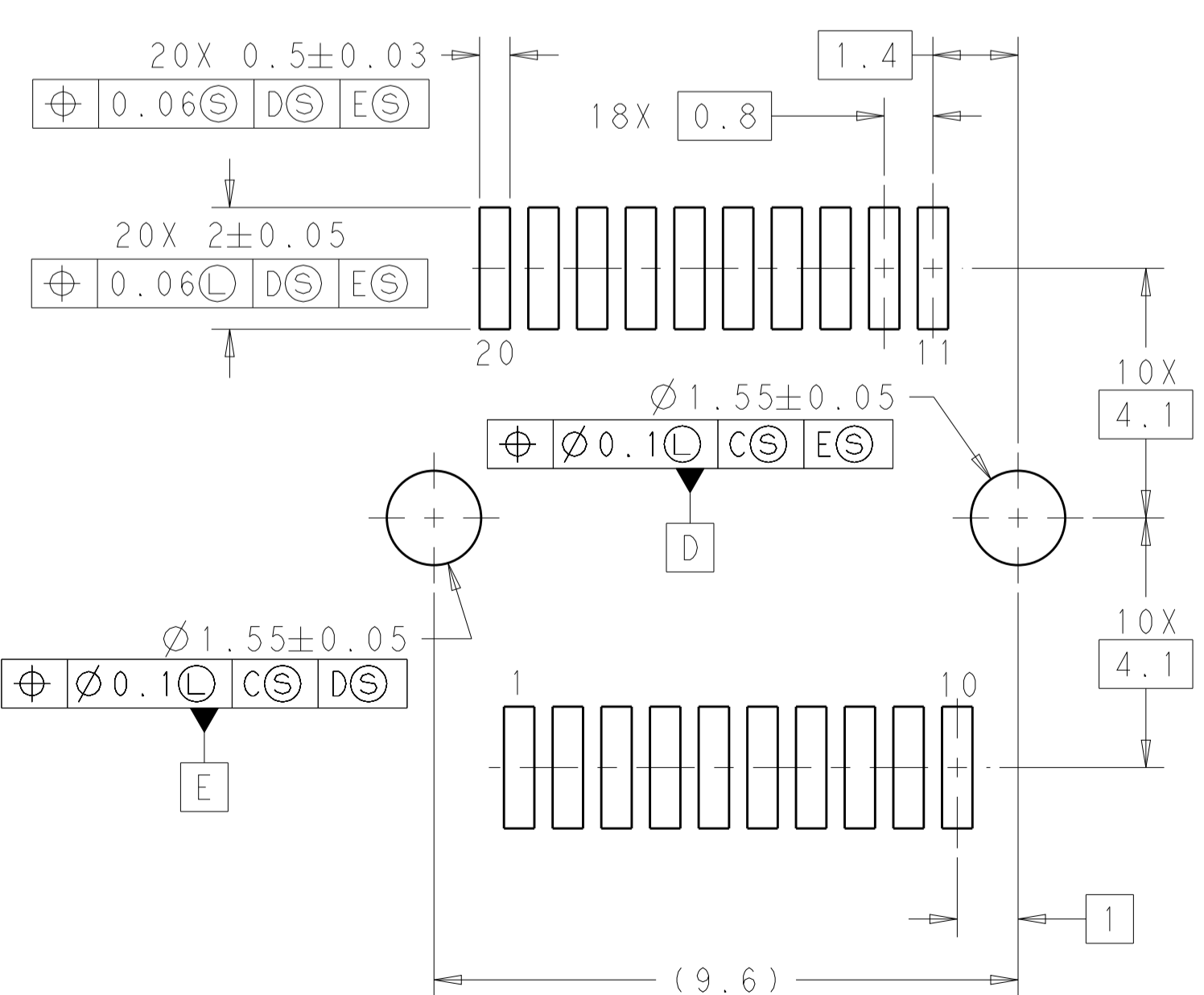
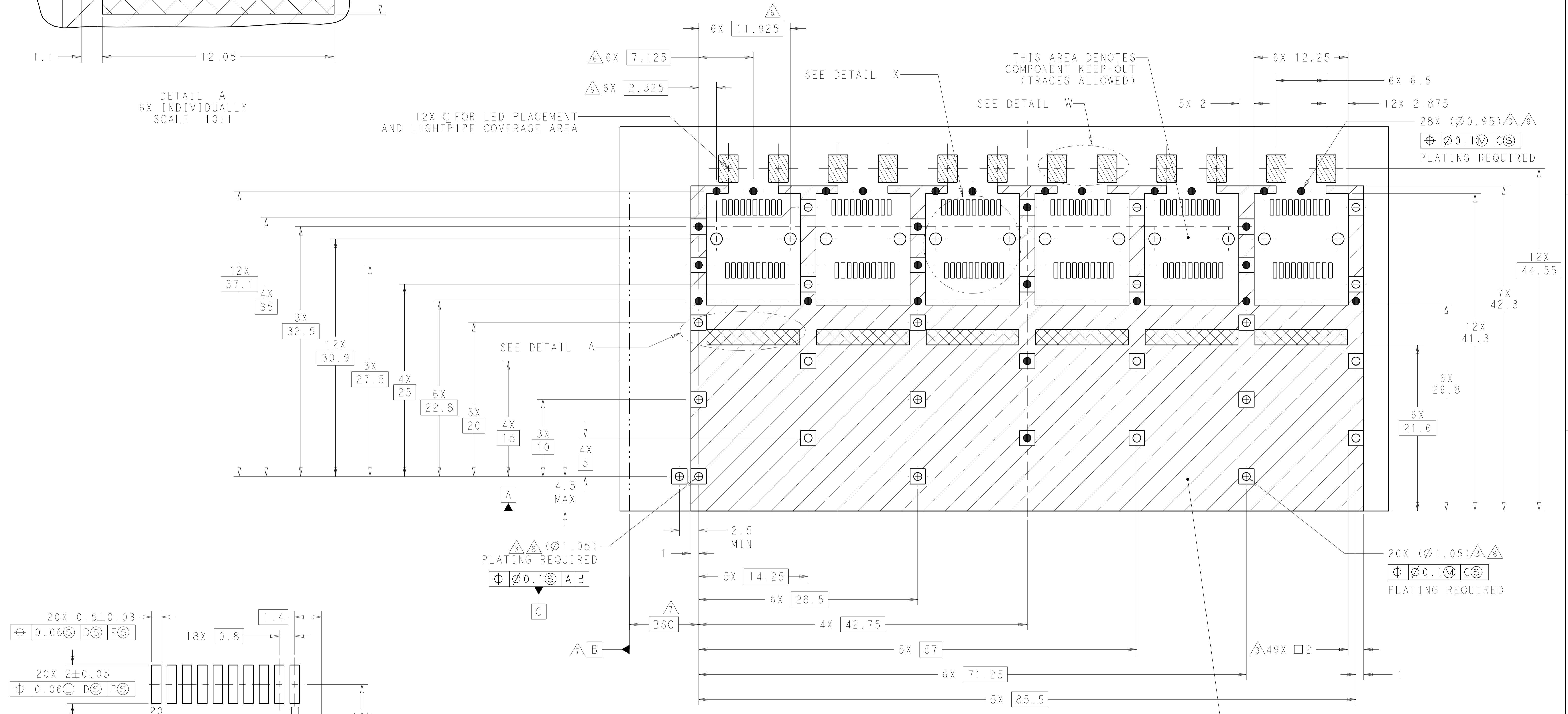
THIS DRAWING IS A CONTROLLED DOCUMENT.		DNW B. MATTHEWS 26OCT2011	TE Connectivity NAME SFP+ ENHANCED 1X6 CAGE ASSEMBLY, PRESS FIT, EMI GASKET WITH HEATSINK AND LIGHTPIPE
DIMENSIONS:		CHK M. SCHMITT 26OCT2011	
mm	0 PLC ±0.1	APVD M. SCHMITT 26OCT2011	PRODUCT SPEC
	1 PLC ±0.1	108-2364	APPLICATION SPEC
	2 PLC ±0.1	114-13120	WEIGHT
	3 PLC ±0.1		SIZE CAGE CODE DRAWING NO RESTRICTED TO
	4 PLC ±0.1		A100779C=2198228
	ANGLES ±0.1		CUSTOMER DRAWING
MATERIAL	FINISH		SCALE 4:1 SHEET 2 OF 3 REV A

LOC	DIST	REV	DATE	BY	APPV
GP	00				

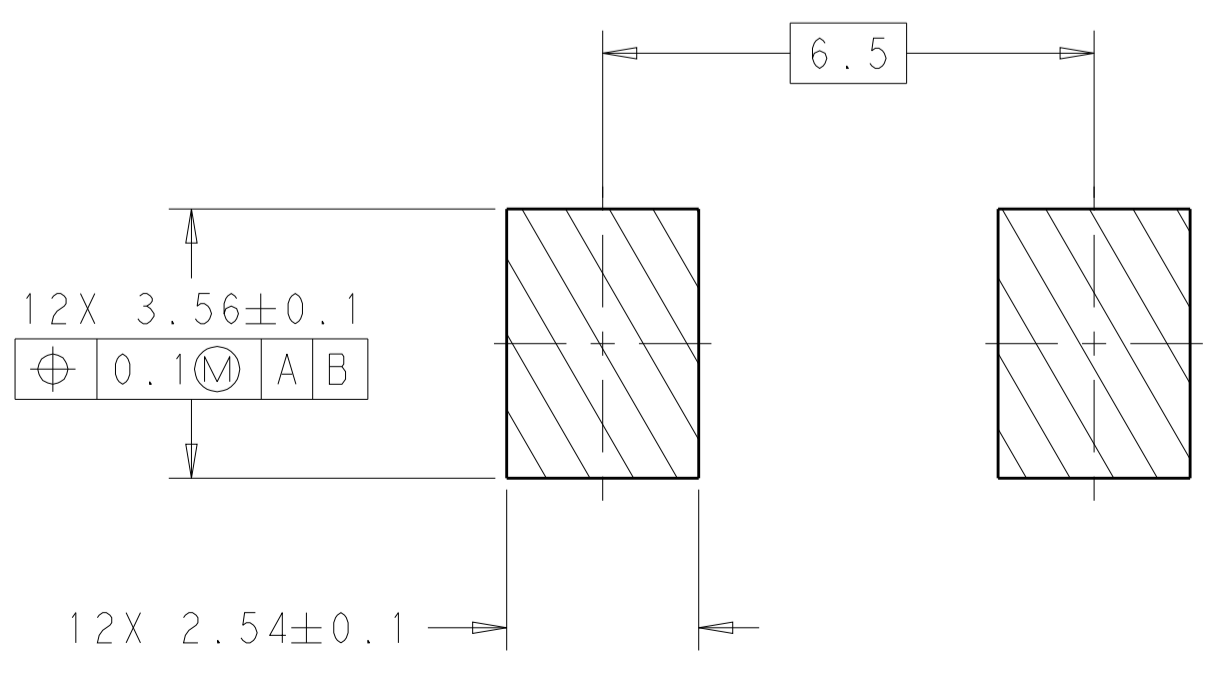
REVISIONS			
NO.	DESCRIPTION	DATE	BY
-	SEE SHEET 1	-	-



DETAIL A
6X INDIVIDUALLY
SCALE 10:1



DETAIL X
RECOMMENDED PT CONNECTOR LAYOUT
6X INDIVIDUALLY
SCALE 10:1



DETAIL W
SCALE 10:1

RECOMMENDED PCB CONFIGURATION
WITH KEEP-OUT AREAS
SINGLE SIDED APPLICATIONS
SCALE 4:1

CROSS-HATCHED AREA
DENOTES COMPONENT
AND TRACE KEEP-OUT
(EXCEPT CHASSIS
GROUND)

THIS DRAWING IS A CONTROLLED DOCUMENT.		OWN: B. MATTHEWS 26OCT2011	TE Connectivity
DIMENSIONS: mm		CHK: M. SCHMITT 26OCT2011	
TOLERANCES UNLESS OTHERWISE SPECIFIED:		APV: M. SCHMITT 26OCT2011	NAME: SFP+ ENHANCED 1X6 CAGE ASSEMBLY, PRESS FIT, EMI GASKET WITH HEATSINK AND LIGHTPIPE PRODUCT SPEC: 108-2364 APPLICATION SPEC: 114-13120 SIZE: 114-13120 WEIGHT: - CUSTOMER DRAWING
0 PLC ±0.1 1 PLC ±0.1 2 PLC ±0.1 3 PLC ±0.1 4 PLC ±0.1 ANGLES ±1°		REVISIONS: 108-2364 114-13120	
MATERIAL: -		FINISH: -	
0.06 ±0.03 0.06 ±0.05 0.1 ±0.05 0.1 ±0.05		1.4 1.0 1.0 1.0	
12X 3.56±0.1 12X 2.54±0.1		10X 4.1 10X 4.1 1	SCALE: 4:1 SHEET: 3 OF 3 REV: A

单击下面可查看定价，库存，交付和生命周期等信息

[>>TE Connectivity\(泰科\)](#)