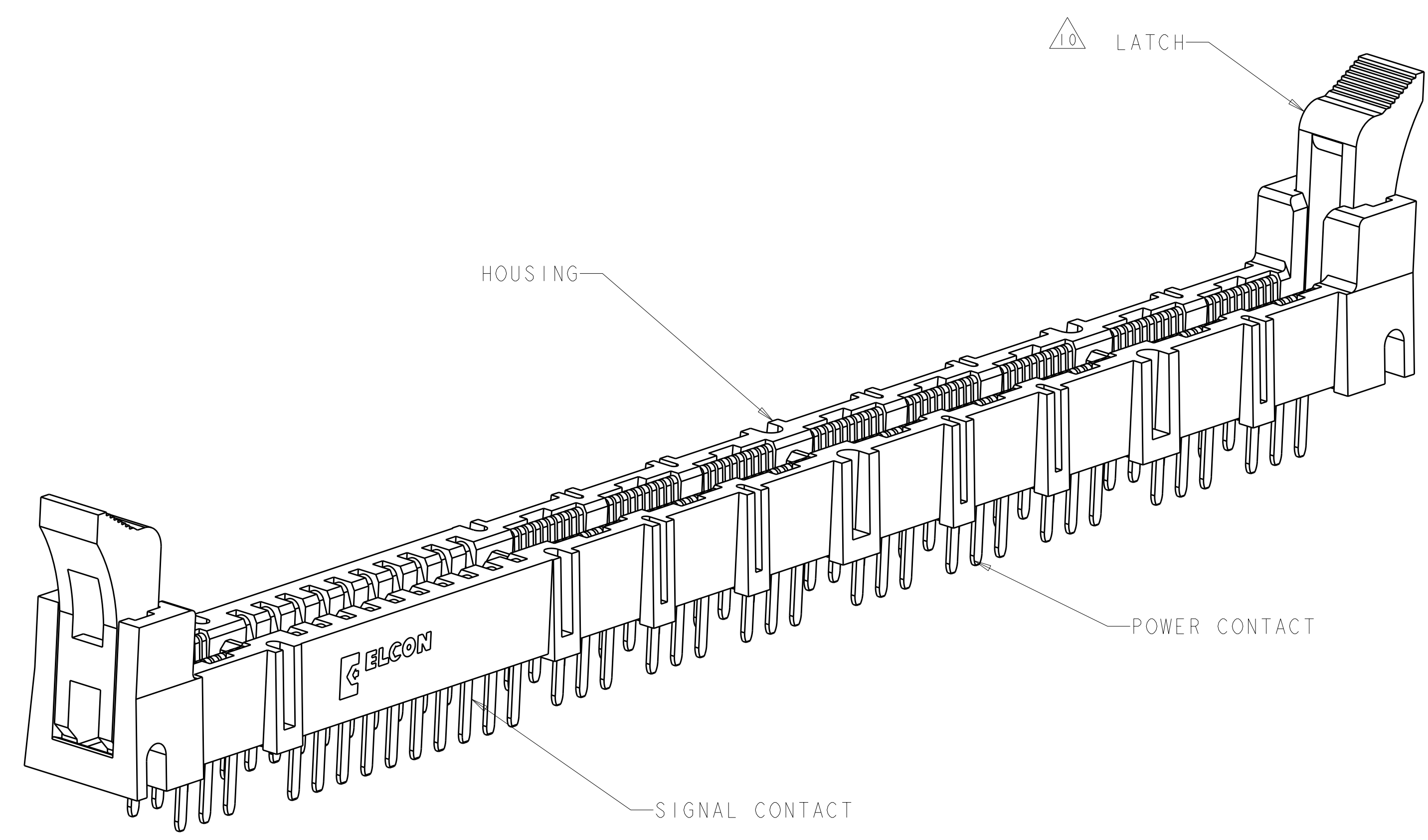


LOC	DIST	REVISIONS			
REV	DATE	DESCRIPTION	DATE	DWN	APVD
B	08JAN2009	REV PER ECO-08-031660	08JAN2009	RG	PD
C	08JAN2010	REV PER ECO-09-027020	08JAN2010	RG	MS
CI	25FEB2010	REV PER ECO-10-003674	25FEB2010	RG	MS



1. PART NUMBER CHANGES AND OR DESIGN CHANGES AFFECTING ITEM INTERCHANGEABILITY REQUIRE PRIOR TYCO ELECTRONICS APPROVAL AND AUTHORIZATION BY REVISION TO THIS DRAWING.

2. MATERIAL:
 HOUSING: GLASS FILLED POLYESTER, COLOR-BLACK
 UL94V-0 FLAMMABILITY RATED
 LATCHES: THERMOPLASTIC, GLASS REINFORCED
 COLOR: BLACK, UL94V-0 FLAMMABILITY RATED
 CONTACTS: COPPER ALLOY

3. FINISH:
 CONTACTS:
 GOLD PLATE 0.76µm MIN THK. OVER
 NICKEL 1.27µm MIN THK.
 SOLDER TAILS - TIN PLATE 3.05µm MIN THK. OVER
 NICKEL 1.27µm MIN THK.

4. ITEMS PROVIDED TO THIS SPECIFICATION TO BE PERMANENTLY IDENTIFIED WITH PART NUMBER AND DATE CODE.

5. MAXIMUM BURR OF 0.013 ON CARD TAB AREA.

6. SET TRACE BACK FROM PC BOARD EDGE. NO SOLDERMASK ALLOWED BETWEEN PC BOARD EDGE AND TRACE.

7. CONNECTOR ACCEPTS 2.36±0.13 THICK PC BOARD.

8. KEEP OUT AREA FOR COMPONENTS ONLY.

9. FEATURE REQUIRED FOR USE WITH LATCH.

10. CAUTION:
 LATCHES ARE INTENDED FOR RETENTION OF PC BOARD TO CONNECTOR. DO NOT ATTEMPT TO FULLY EJECT PC BOARD FROM CONNECTOR WHILE DISENGAGING LATCHES, DAMAGE TO LATCHES AND OR CONNECTOR MAY OCCUR.

11. RECOMMENDED GOLD FINGER LENGTH FOR RELIABLE CONTACT.

12. FOR DESIGN OBJECTIVES SEE 108-2301.

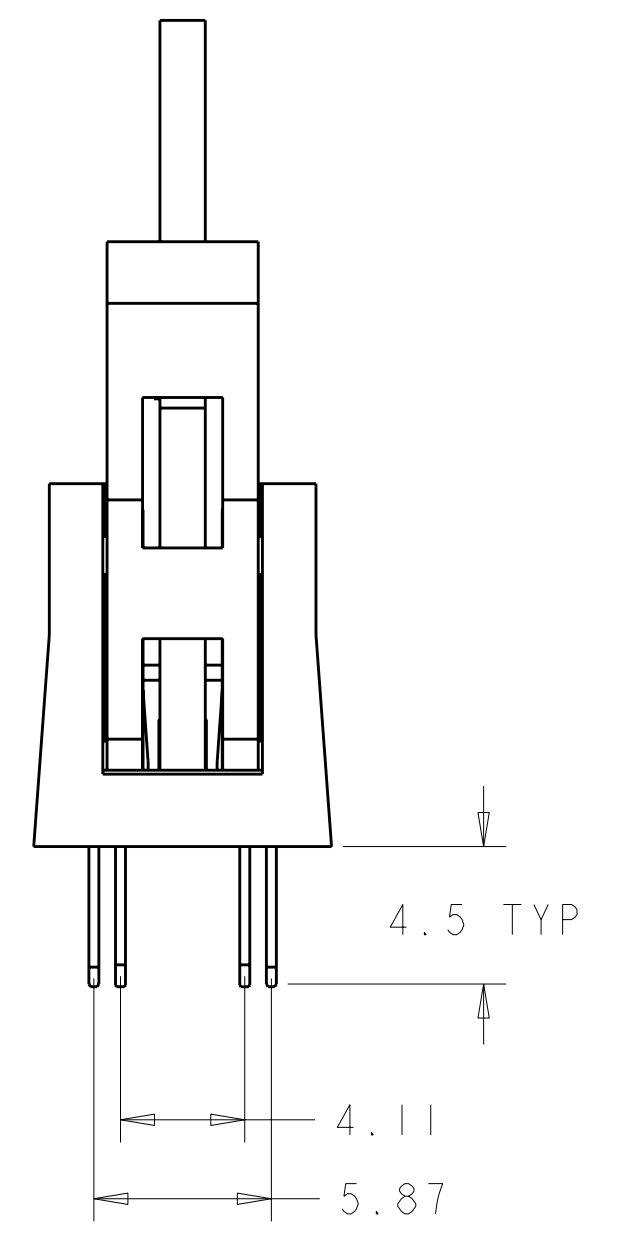
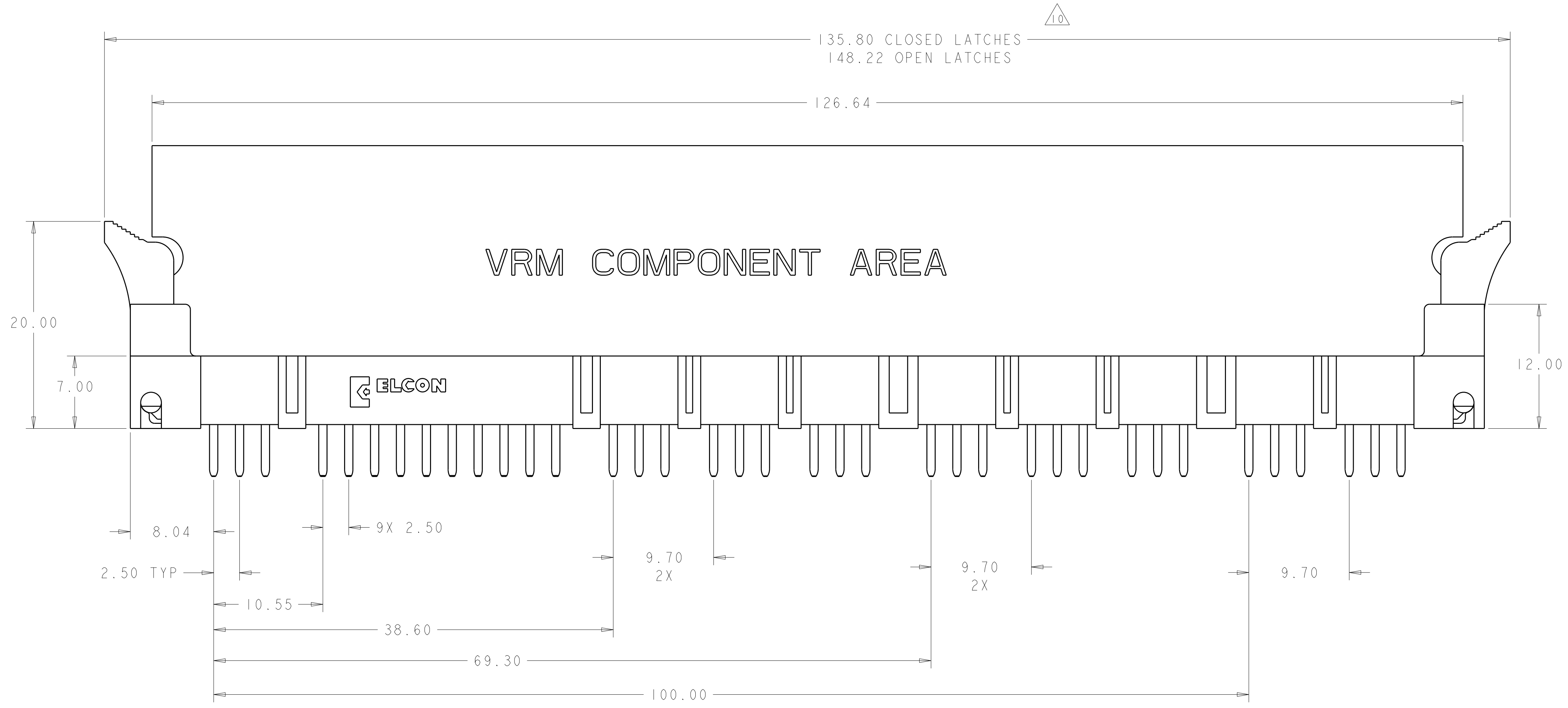
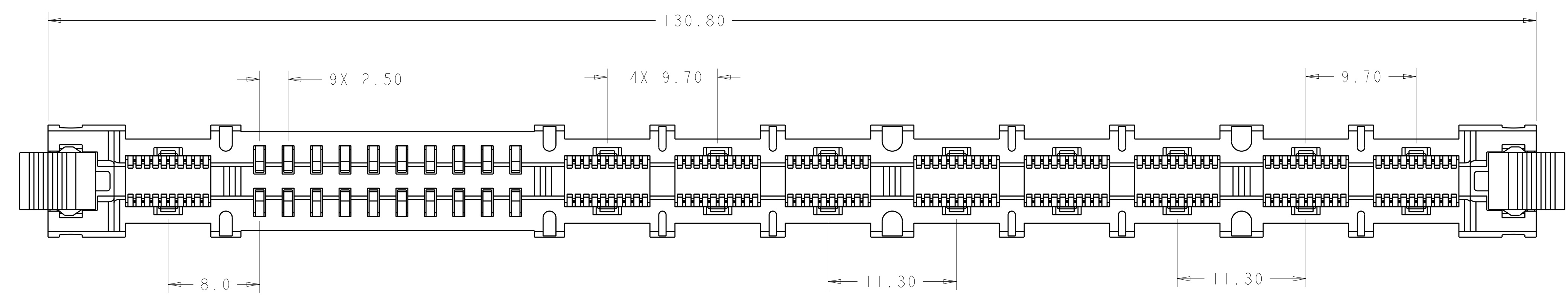
13. RECOMMENDED PRINTED CIRCUIT HOLE:
 FINISHED HOLE: $\varnothing 1.02 \pm 0.08$
 DRILLED HOLE: $\varnothing 1.15 \pm 0.013$
 COPPER PLATE: .025 MIN. (PER SURFACE)
 TIN PLATE: .008 MIN. (PER SURFACE)

14. DATUMS AND BASIC DIMENSIONS ESTABLISHED BY CUSTOMER.

AS SHOWN	1766442-1
DESCRIPTION	PART NO.

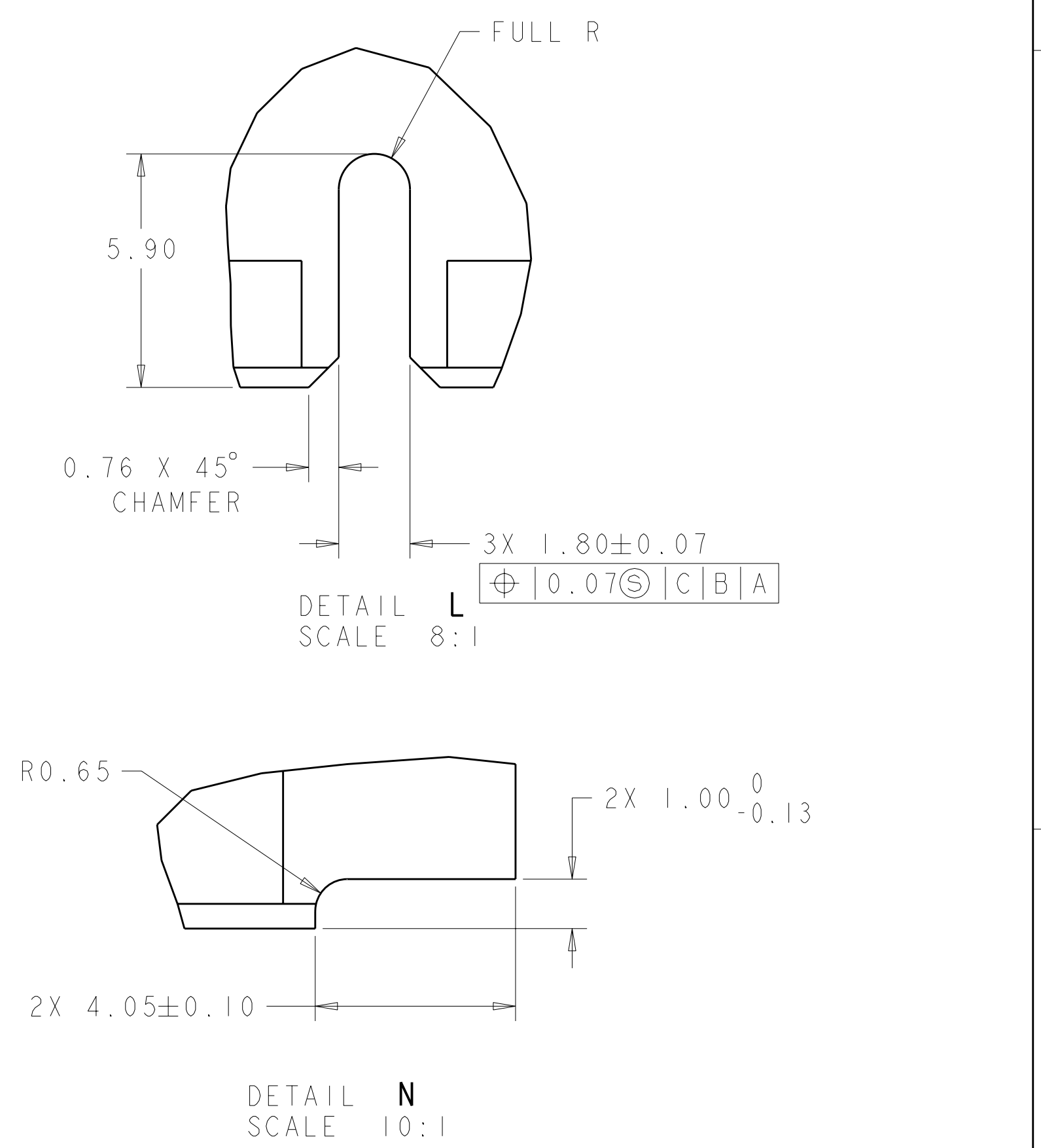
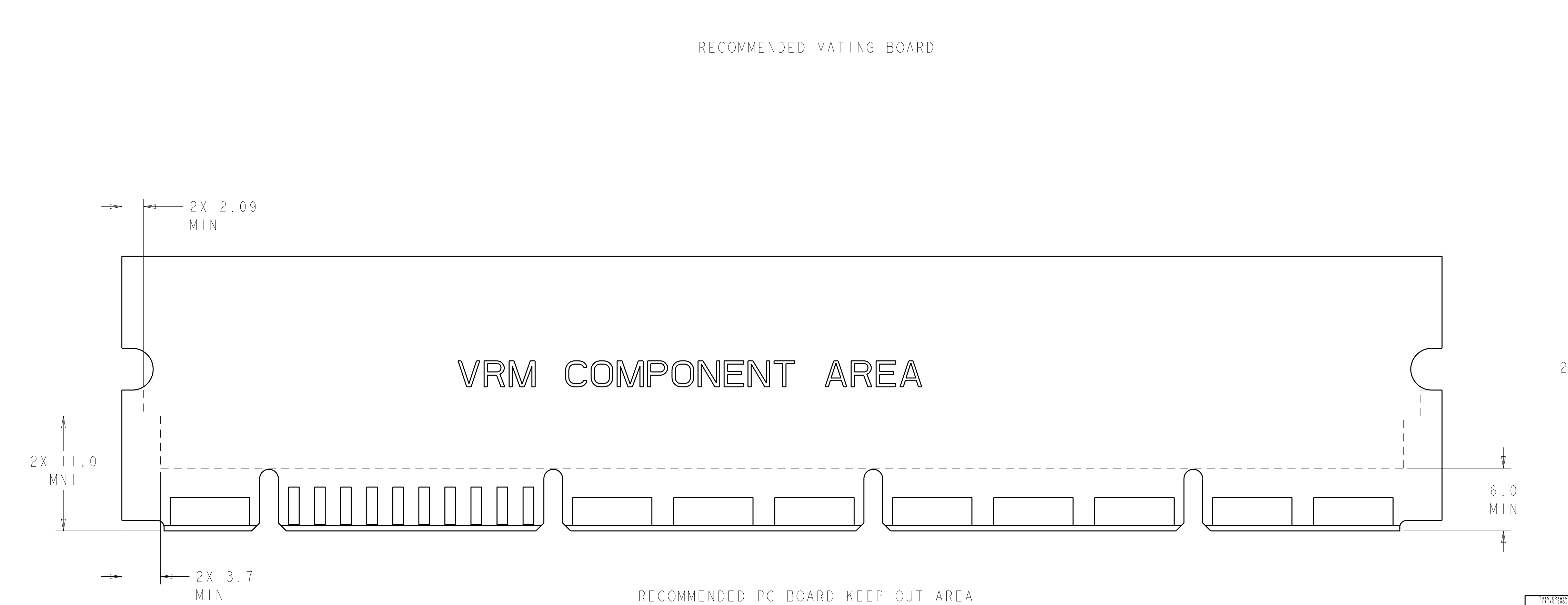
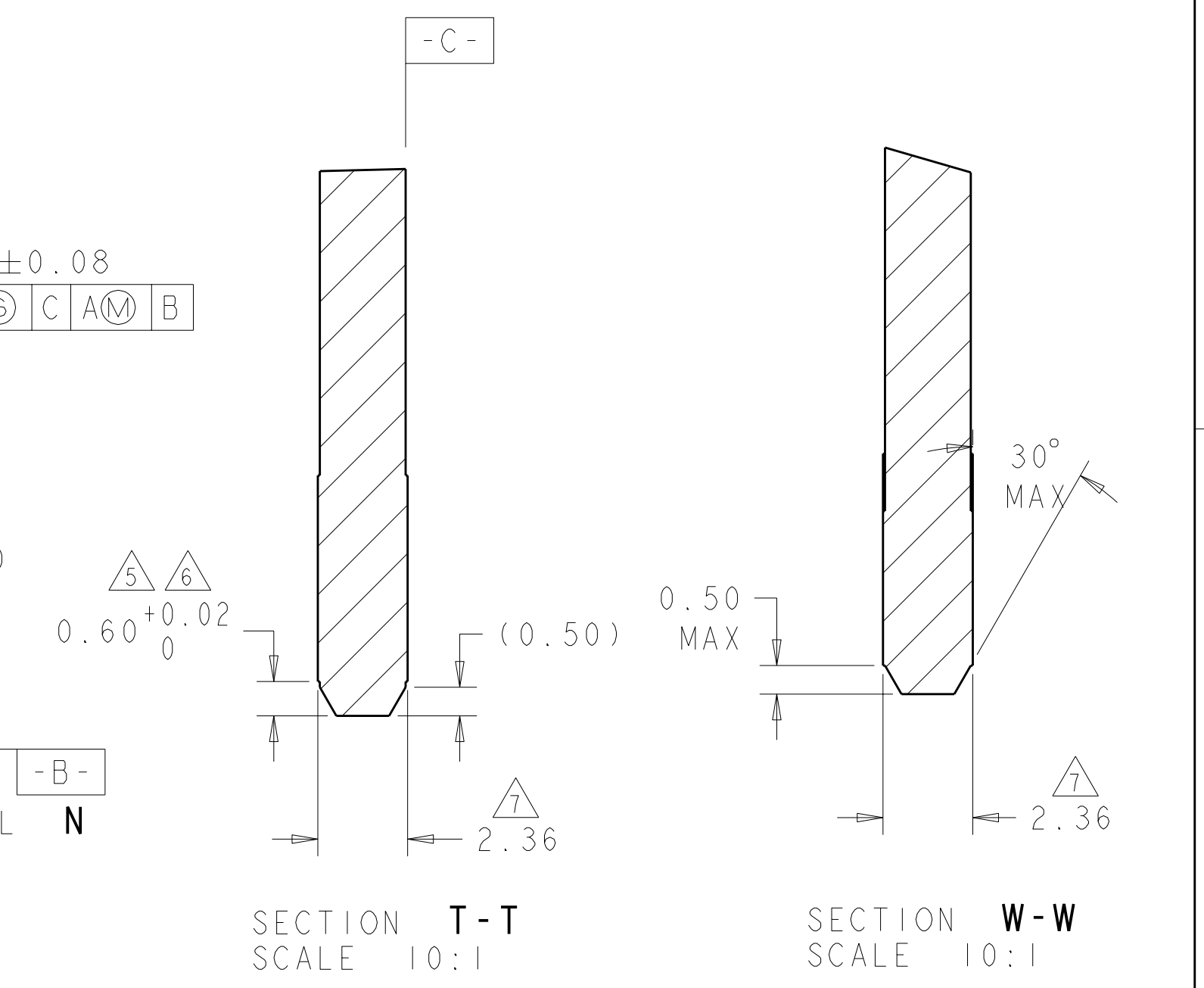
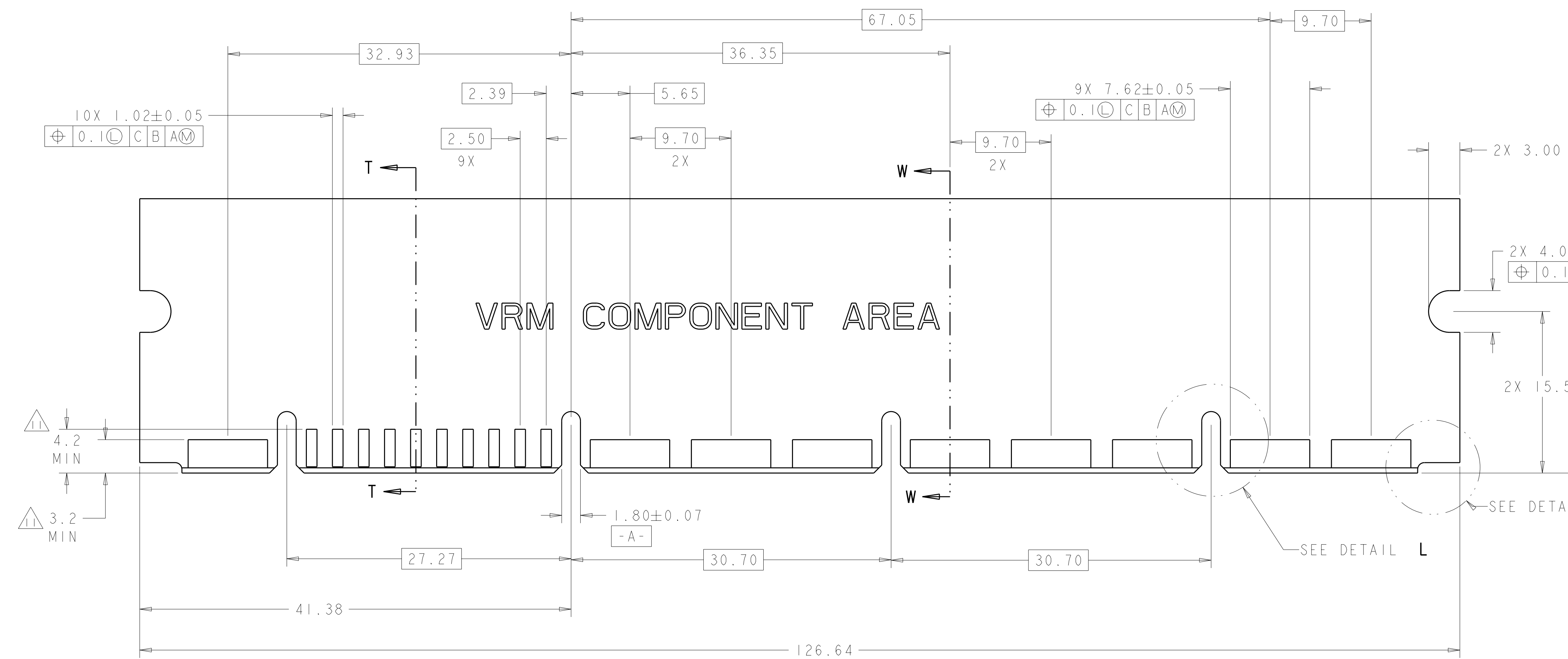
<small>THIS DRAWING IS UNPUBLISHED. RELEASED FOR PUBLICATION BY TYCO ELECTRONICS CORPORATION, ALL RIGHTS RESERVED.</small>		DWN: HA/GRZYBOWSKI 08JAN2009 CHK: P.DAMATO 08JAN2009 APVD: CHAU/PERCHESAE 08JAN2009	Tyco Electronics Harrisburg, PA 17105-3608
DIMENSIONS: mm 	TOLERANCES UNLESS OTHERWISE SPECIFIED: 9 PLC ±.5 1 PLC ±.5 3 PLC ±.25 4 PLC ±.5 ANGLES ±.5 FINISH	NAME: SOCKET CONNECTOR ASSEMBLY W/LATCHES MC-P9S10 PRODUCT SPEC APPLICATION SPEC	SIZE: A100779 CAGE CODE: C=1766442 DRAWING NO: 1766442-1 RESTRICTED TO:
MATERIAL: -	FINISH: -	WEIGHT: -	CUSTOMER DRAWING
SCALE: 4:1		SHEET 1 OF 4 REV. C	

LOC	DIST	REVISIONS					
GP	00	P	LTR	DESCRIPTION	DATE	DWN	APVD
-	-	-	-	SEE SHEET 1	-	-	-



<small>THIS DRAWING IS UNPUBLISHED. RELEASED FOR PUBLICATION 20 BY TYCO ELECTRONICS CORPORATION, ALL RIGHTS RESERVED.</small>		DWN: HA/GRZYBOWSKI 08JAN2009 CHK: P.DAMATO 08JAN2009 APVD: CHAU/PERCHERAE 08JAN2009	Tyco Electronics Harrisburg, PA 17105-3608
DIMENSIONS: mm TOLERANCES UNLESS OTHERWISE SPECIFIED: 9 PLC ±.5 5 PLC ±.25 4 PLC ±.5 ANGLES ±.5 FINISH		NAME: SOCKET CONNECTOR ASSEMBLY W/LATCHES MC-P9S10 PRODUCT SPEC: APPLICATION SPEC: WEIGHT: CUSTOMER DRAWING	SIZE: A1100779 CAGE CODE: C=1766442 SCALE: 4:1 SHEET: 2 OF 4 REV: C1

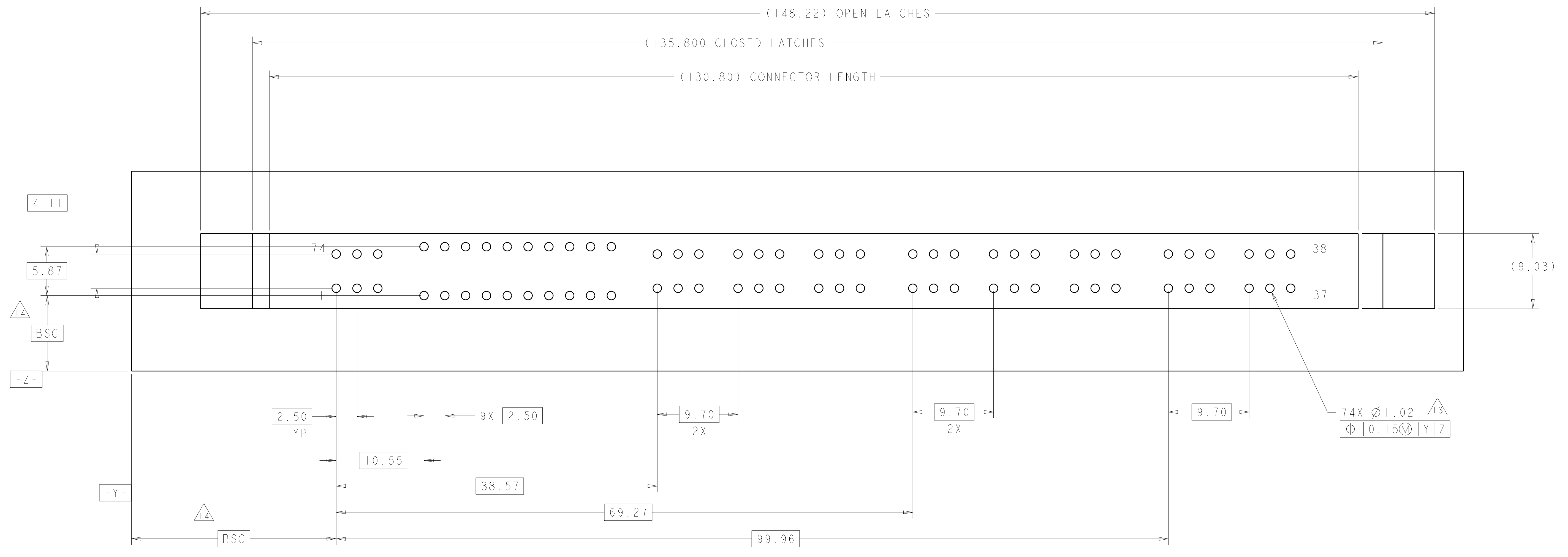
LOC	DIST	REV	DATE	BY	APPD
GP	00				
REVISIONS			DESCRIPTION	DATE	DWN
			SEE SHEET 1		



DIMENSIONS:		TOLERANCES UNLESS OTHERWISE SPECIFIED:		DWN: HA/GRZYBOWSKI 08JAN2009		Tyco Electronics Tyco Electronics Harrisburg, PA 17105-3608	
mm	9 PLC ±.5	2 PLC ±.5	5 PLC ±.25	CHK: P.DAMATO 08JAN2009	NAME: CHAU/PERCHERAE	SOCKET CONNECTOR ASSEMBLY W/LATCHES MC-P9S10	
	4 PLC ±.5	ANGLES ±.5	FINISH	APVD: CHAU/PERCHERAE 08JAN2009	PRODUCT SPEC	SIZE: A100779	CAGE CODE: 1766442
MATERIAL				APPLICATION SPEC		SCALE: 4:1	SHEET 3 OF 4
				WEIGHT		REV: C	
				CUSTOMER DRAWING			

LOC	DIST	REV	DATE	BY	APPD
GP	00				

REVISIONS		DATE	BY	APPD
-	SEE SHEET 1	-	-	-



RECOMMENDED P.C. BOARD GUIDELINE
 AS VIEWED FROM THE CONNECTOR SIDE

<small>THIS DRAWING IS UNPUBLISHED. RELEASED FOR PUBLICATION BY TYCO ELECTRONICS CORPORATION. ALL RIGHTS RESERVED.</small>		DWN: HA/GRZYBOWSKI 08JAN2009 CHK: P.DAMATO 08JAN2009 APVD: CHAU/PERCHERAE 08JAN2009	Tyco Electronics Harrisburg, PA 17105-3608
DIMENSIONS: mm 	TOLERANCES UNLESS OTHERWISE SPECIFIED: 0 PLC ±.5 1 PLC ±.5 2 PLC ±.25 3 PLC ±.25 4 PLC ±.25 ANGLES ±.5 FINISH	NAME: SOCKET CONNECTOR ASSEMBLY W/LATCHES MC-P9S10 PRODUCT SPEC: APPLICATION SPEC: WEIGHT: CUSTOMER DRAWING	SIZE: A CAGE CODE: 1766442 SCALE: 4:1 SHEET: 4 OF 4 REV: C

单击下面可查看定价，库存，交付和生命周期等信息

[>>TE Connectivity\(泰科\)](#)