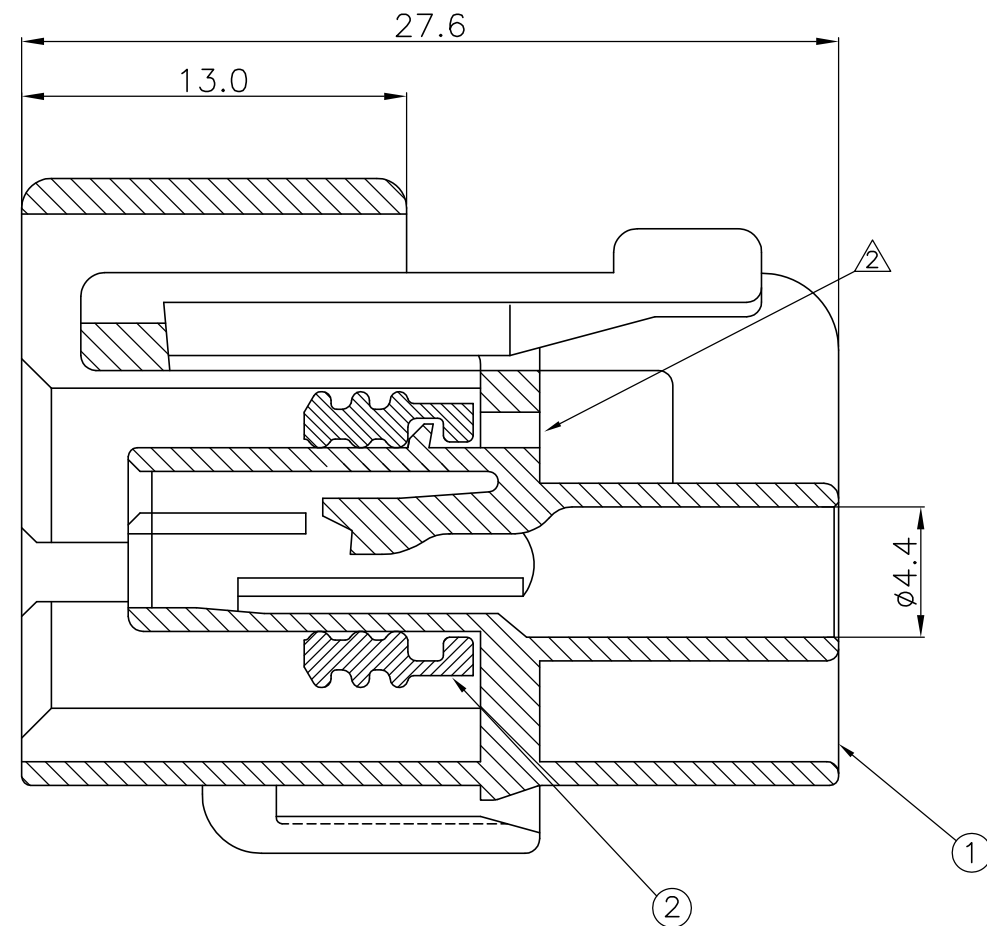
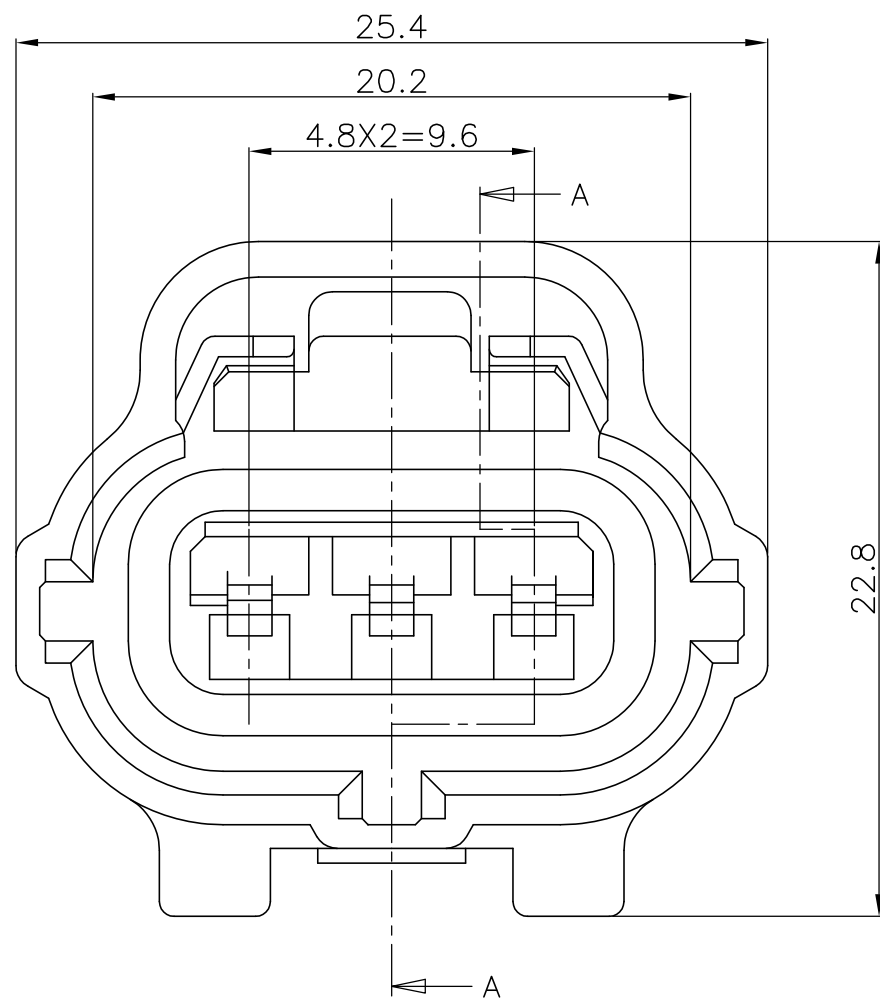


THIS DRAWING IS UNPUBLISHED. RELEASED FOR PUBLICATION
 © COPYRIGHT 19 BY TYCO ELECTRONICS CORPORATION. ALL INTERNATIONAL RIGHTS RESERVED.

LOC	DIST	REVISIONS					
		P	LTR	DESCRIPTION	DATE	DWN	APVD
DS	-		□	RELEASED (FC00-0020-99)	22/FEB '99	YJ	CS
			A	REVISED (ECR-10-020220)	07/OCT '10	JH	HG



SECT A-A

NOTE;

- FOR CAP HOUSING P/N 174359,173065
- THIS PART MUST BE USED WITH DOUBLE LOCK PLATE P/N 174358
- APPLICABLE CONTACT P/N 171630, 171662

NO	COLOR	MATERIAL	DESCRIPTION	QTY
2	BROWN	SILICON	SEAL RING	1
1	LIGHT GREY	PBT	3P PLUG HOUSING	1
1	BLACK	PBT	3P PLUG HOUSING	1

<small>THIS DRAWING IS A CONTROLLED DOCUMENT FOR TYCO ELECTRONICS CORPORATION IT IS SUBJECT TO CHANGE AND THE CONTROLLING ENGINEERING ORGANIZATION SHOULD BE CONTACTED FOR THE LATEST REVISION.</small>		DWN JH CHO CHK KT LIM APVD HG CHO PRODUCT SPEC 108-61054 APPLICATION SPEC 114-5082 WEIGHT 6.15g		Tyco Electronics Tyco Electronics Kyungsan, Korea	
DIMENSIONS: mm 		TOLERANCES UNLESS OTHERWISE SPECIFIED: ± 0.15 $\pm 1^*$		NAME ECONOSEAL J-MARKII(+) CONNECTOR 3 POS. PLUG HOUSING	
MATERIAL SEE TABLE FINISH -		SIZE A3 CAGE CODE 00779 DRAWING NO C=368523		RESTRICTED TO -	
CUSTOMER DRAWING				SCALE 2:1	SHEET 1 OF 1 REV A

368523-3	P/N
368523-1	

单击下面可查看定价，库存，交付和生命周期等信息

[>>TE Connectivity\(泰科\)](#)