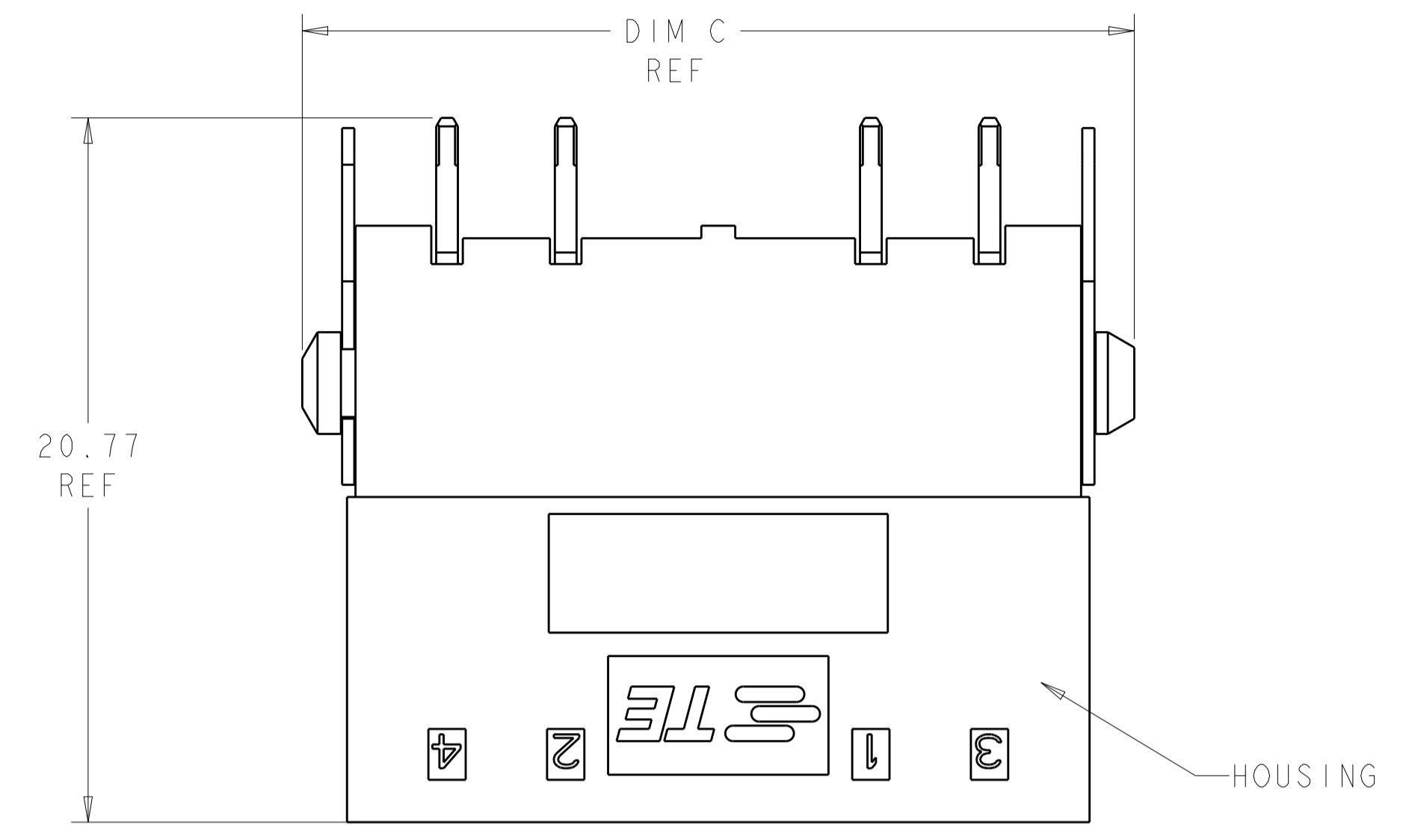
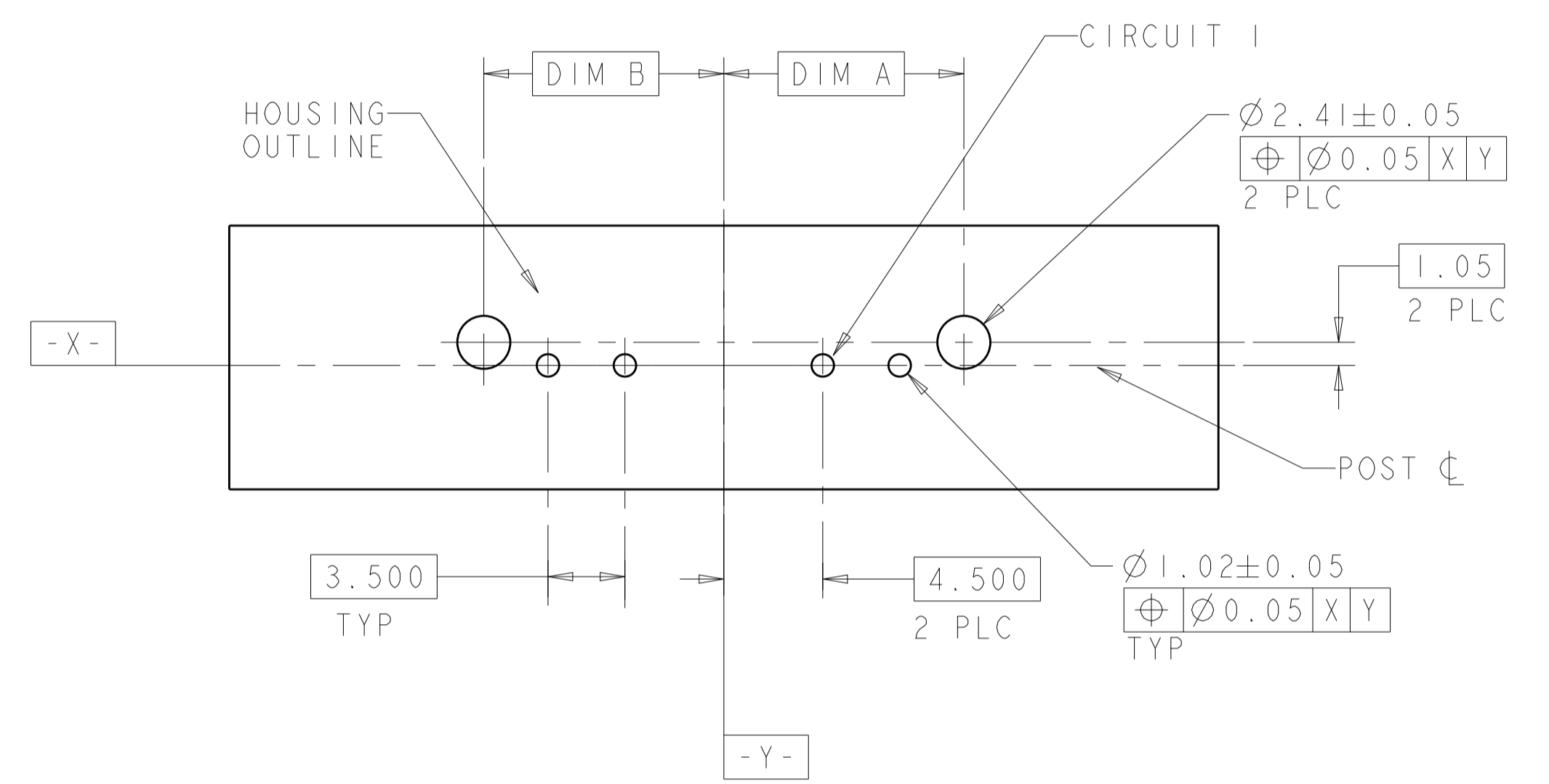
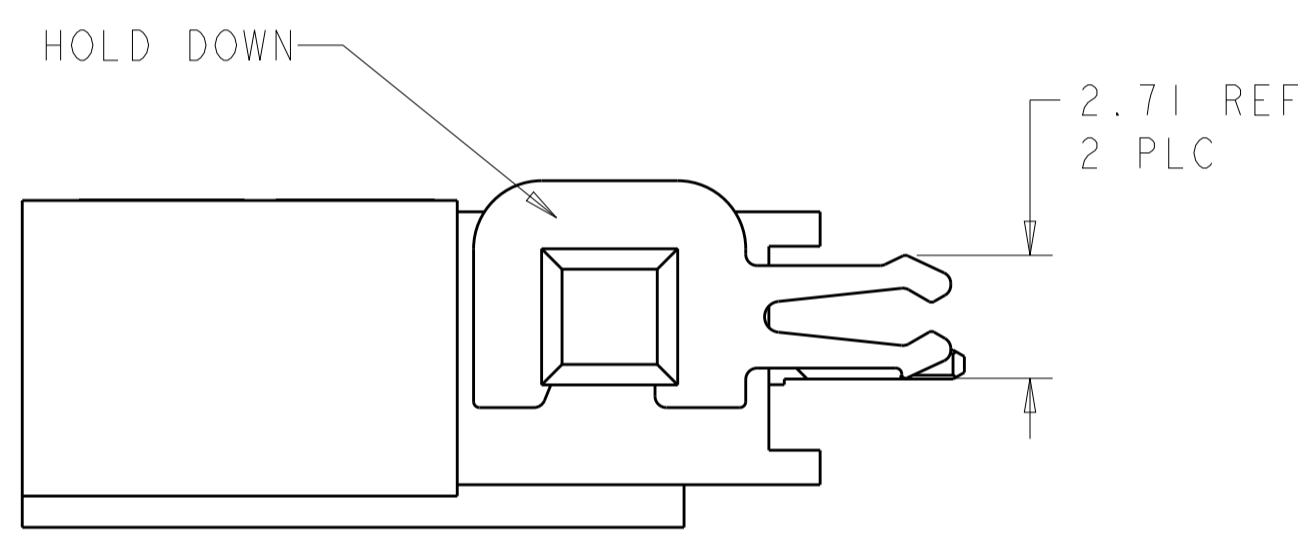
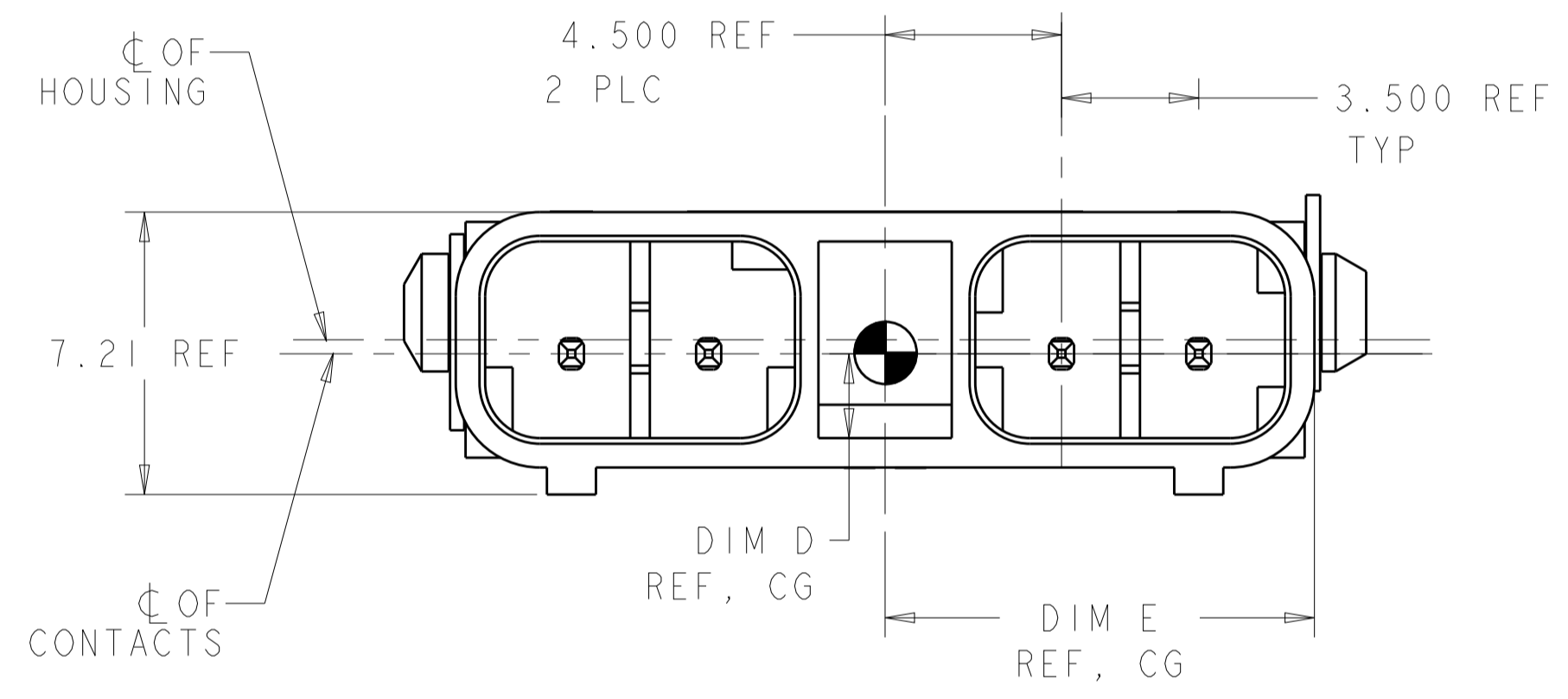


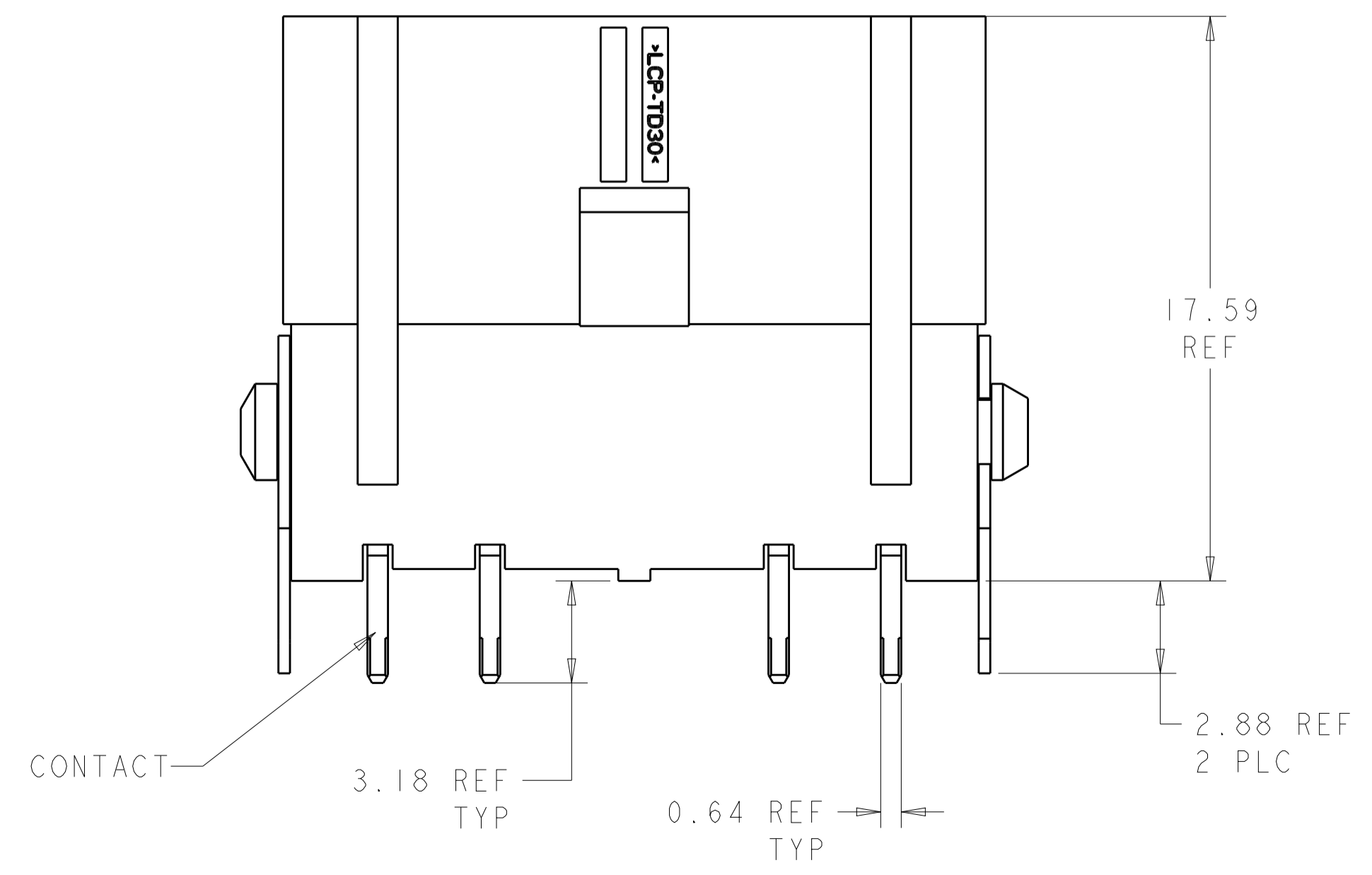
LOC		DIST		REVISIONS			
P	LTN	DESCRIPTION	DATE	DWN	APVD		
A		REVISED PER ECR-10-013359	07JUL2010	HMR	DD		
B		REVISED PER ECR-13-008007	17SEP2013	RS	DD		



- △ MATERIAL: HOUSING: LCP, COLOR: BLACK.
- △ CONTACTS: BRASS.  
FINISH: 2.54µm MIN MATTE TIN OVER NICKEL (ENTIRE POST).
- △ HOLDDOWN: COPPER ALLOY.  
FINISH: 2.54µm MIN MATTE TIN OVER NICKEL.
- 4. THIS PRODUCT HAS NOT COMPLETED VALIDATION TESTING.
- △ RECOMMENDED PC BOARD THICKNESS OF 1.57.
- 6. PACKAGED IN TUBES.
- 7. MUST COMPLY WITH DIRECTIVE 2002/95/EC (ROHS).



RECOMMENDED PC BOARD HOLE LAYOUT, COMPONENT SIDE  
 DIMENSIONS APPLY TO ALL POSITIONS, UNLESS OTHERWISE NOTED



10.94	2.94	24.54	10.92	10.92	4	2106112-6
9.20	2.94	21.04	7.42	10.92	3	2106112-4
7.44	2.94	17.54	7.42	7.42	2	2106112-2
DIM E	DIM D	DIM C	DIM B	DIM A	POSN	PART NUMBER

THIS DRAWING IS A CONTROLLED DOCUMENT. DWN: HM VAN SCIOK 19FEB2009  
 CHK: A. BUCHER 19FEB2009  
 APVD: A. BUCHER 19FEB2009

**STE** TE Connectivity

ASSEMBLY, VERTICAL THRU HOLE HEADER, SLIMSEAL SSL CONNECTOR

108-2391 APPLICATION SPEC  
 114-13261 WEIGHT

SIZE: CAGE CODE DRAWING NO: A100779C=2106112  
 RESTRICTED TO: -

CUSTOMER DRAWING SCALE: 4:1 SHEET 1 OF 1 REV B

单击下面可查看定价，库存，交付和生命周期等信息

[>>TE Connectivity\(泰科\)](#)