

4

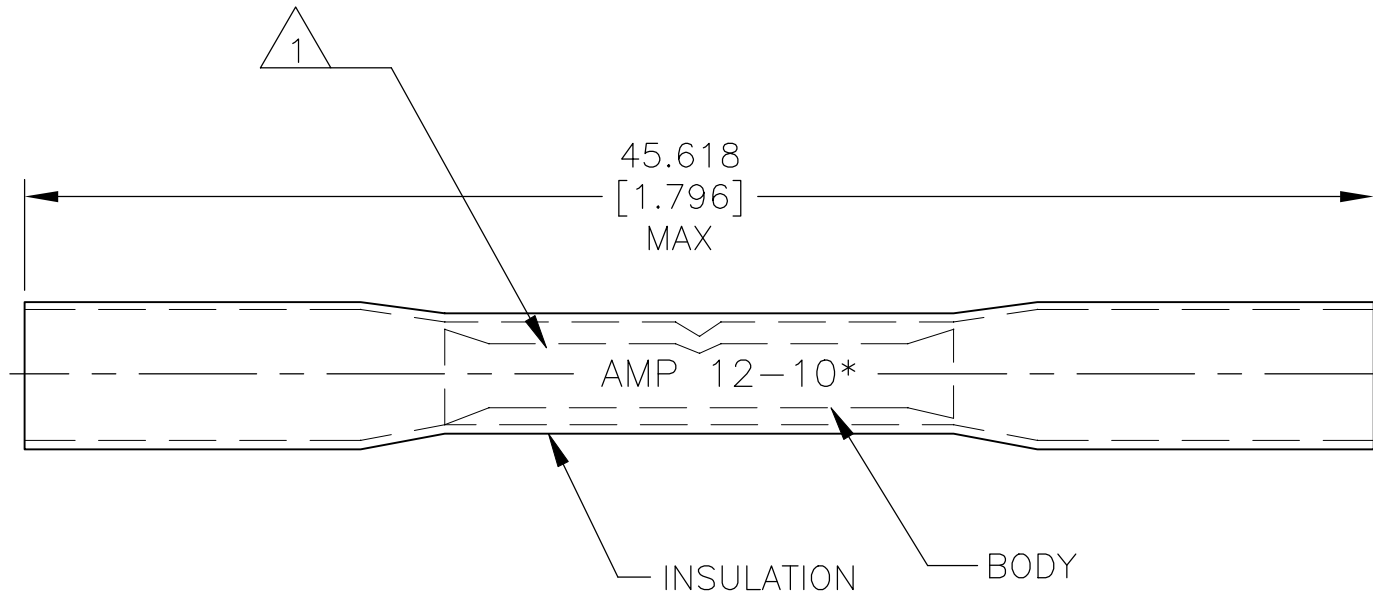
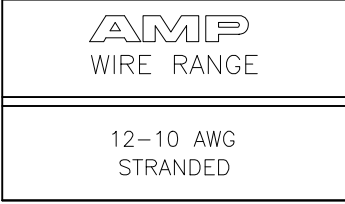
3

2

1

THIS DRAWING IS UNPUBLISHED. RELEASED FOR PUBLICATION
 © COPYRIGHT - By - ALL RIGHTS RESERVED.

REVISIONS					
P	LTR	DESCRIPTION	DATE	DWN	APVD
	E1	REVISED PER ECO-15-002700	20FEB2015	NK	DR
	E2	REVISED PER ECO-17-016703	06APR2018	RS	DR



- 1 STAMP AMP 12-10* APPROX AS SHOWN.
- 2 WIRE INSULATION IS $\phi 6.096[\phi.240]$ MAX
- 3 NOTE DLETED
- 4 NOTE DLETED

25	LOOSE PIECE	8-55826-3
500	LOOSE PIECE	55826-1
QTY	PACKAGE TYPE	PART NO

D

D

C

C

B

B

A

A

AMP INCORPORATED CUSTOMER SERVICE SYSTEMS		MAX RECOMMENDED OPERATING TEMPERATURE: 125° C[257° F] MAX	THIS DRAWING IS A CONTROLLED DOCUMENT.		DWN S S GOULDEN 6/93	TE Connectivity Ltd.			
FOR ADDITIONAL PRODUCT INFORMATION OR COPIES OF DRAWINGS AND TECHNICAL DOCUMENTS	PRODUCT INFORMATION CENTER 1-800-522-6752	VOLTAGE RATING: 600V MAX (BUILDING WIRING) 1000V MAX (FIXTURES & SIGNS)	DIMENSIONS: mm [INCHES]	TOLERANCES UNLESS OTHERWISE SPECIFIED:	CHK R HERSEY 6/93				
FOR APPLICATION TOOLING INFORMATION	TOOLING ASSISTANCE CENTER 1-800-722-1111	CIRCULAR MIL AREA: 2.62-6.64mm ² [5180-13100] STRANDED		0 PLC ± - 1 PLC ± - 2 PLC ± - 3 PLC ± 0.127[.005] 4 PLC ± - ± -	APVD B BARE 6/93	SPLICE, SEALABLE HEAT SHRINKABLE 12-10 AWG			
FOR ORDER ENTRY	1-800-526-5142	THIS DRAWING IS A CONTROLLED DOCUMENT FOR AMP INCORPORATED. IT IS SUBJECT TO CHANGE AND THE CONTROLLING ENGINEERING ORGANIZATION SHOULD BE CONTACTED FOR THE LATEST REVISION.	MATERIAL BODY: ETP COPPER INSULATION: POLYOLEFIN	FINISH BODY: EDP TIN PLATED INSULATION: COLOR-YELLOW	APPLICATION SPEC 408-4022	SIZE A3	CAGE CODE 00779	DRAWING NO C-55826	RESTRICTED TO
					WEIGHT	SCALE NTS		SHEET 1 OF 1	REV E2

单击下面可查看定价，库存，交付和生命周期等信息

[>>TE Connectivity\(泰科\)](#)