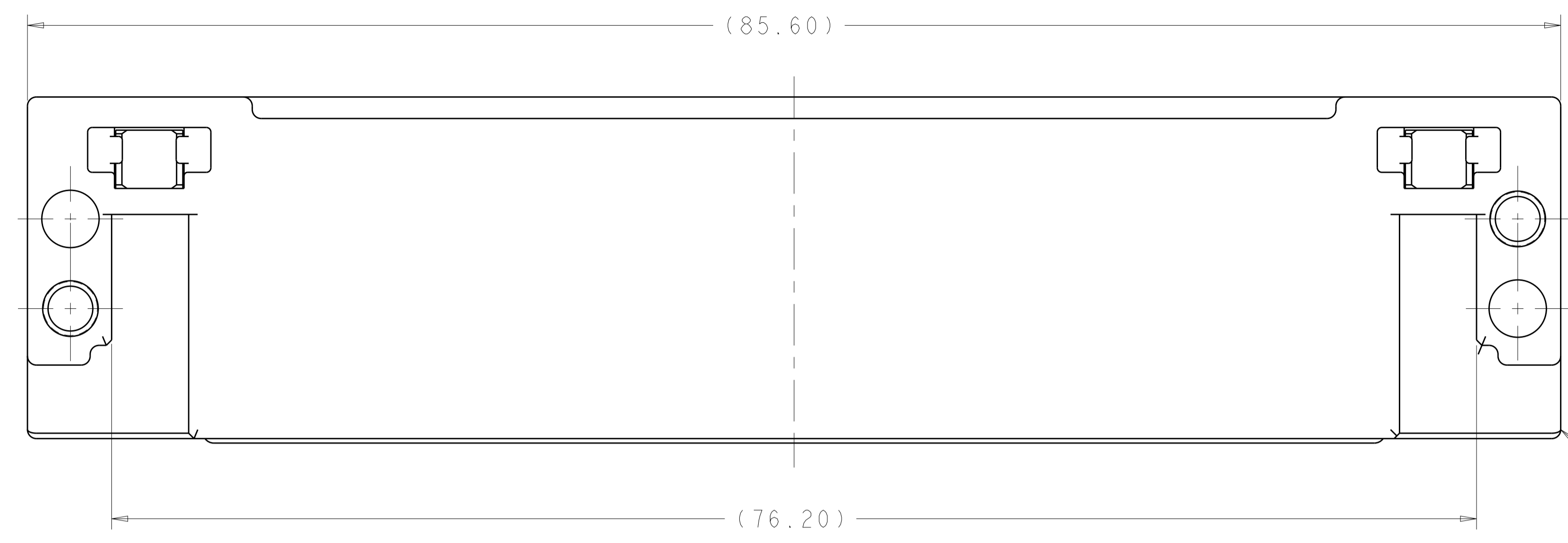
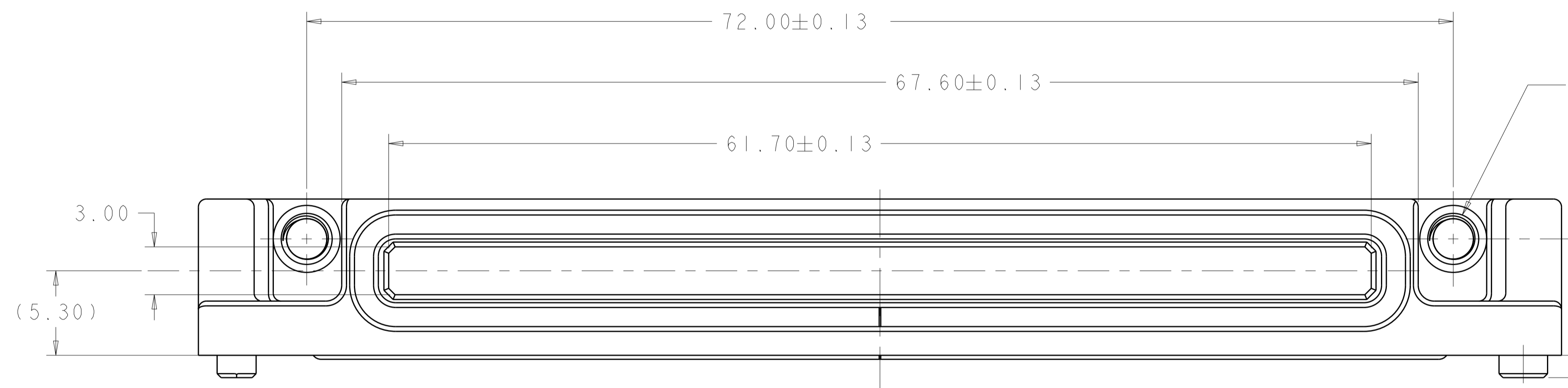


LOC	DIST	REVISIONS			
GP	00	REV	DATE	BY	CHK
		A	14MAY2012	CJV	MRS
		B	31JAN2019	IT	SH



- △ ZINC ALLOY PER ASTM-B-86, ALLOY AG40A.
- △ NICKEL PLATE PER QQ-N-290.
- △ ELASTOMERIC GASKETS MEET TE STANDARDS AND SPECIFICATIONS. SLIGHT COLOR VARIATION ARE NORMAL.
- △ STAINLESS STEEL PER ASTM-A-582, TYPE 303.
- △ ONE-PART SILICONE ADHESIVE.

RECEPTACLE COVER
△△

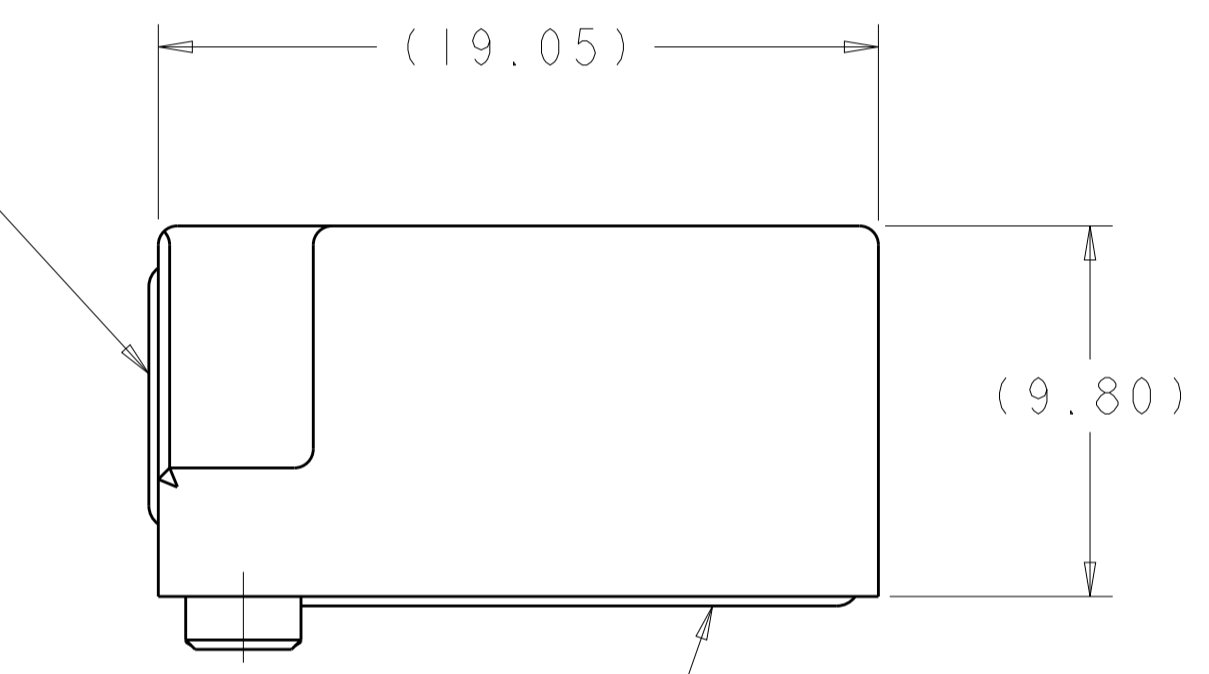


△4
THREADED INSERT

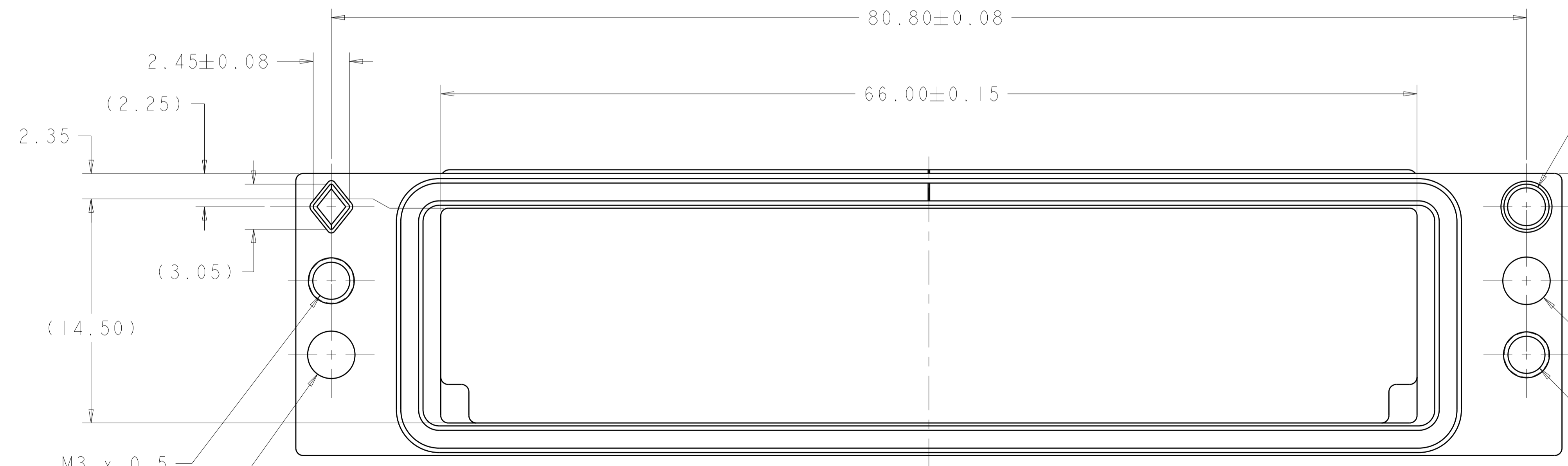
△△
INTERFACE GASKET

(7.30)

2X DIM A



△ PCB GASKET



Ø3.05±0.05

(2.25)

(5.00)
2X

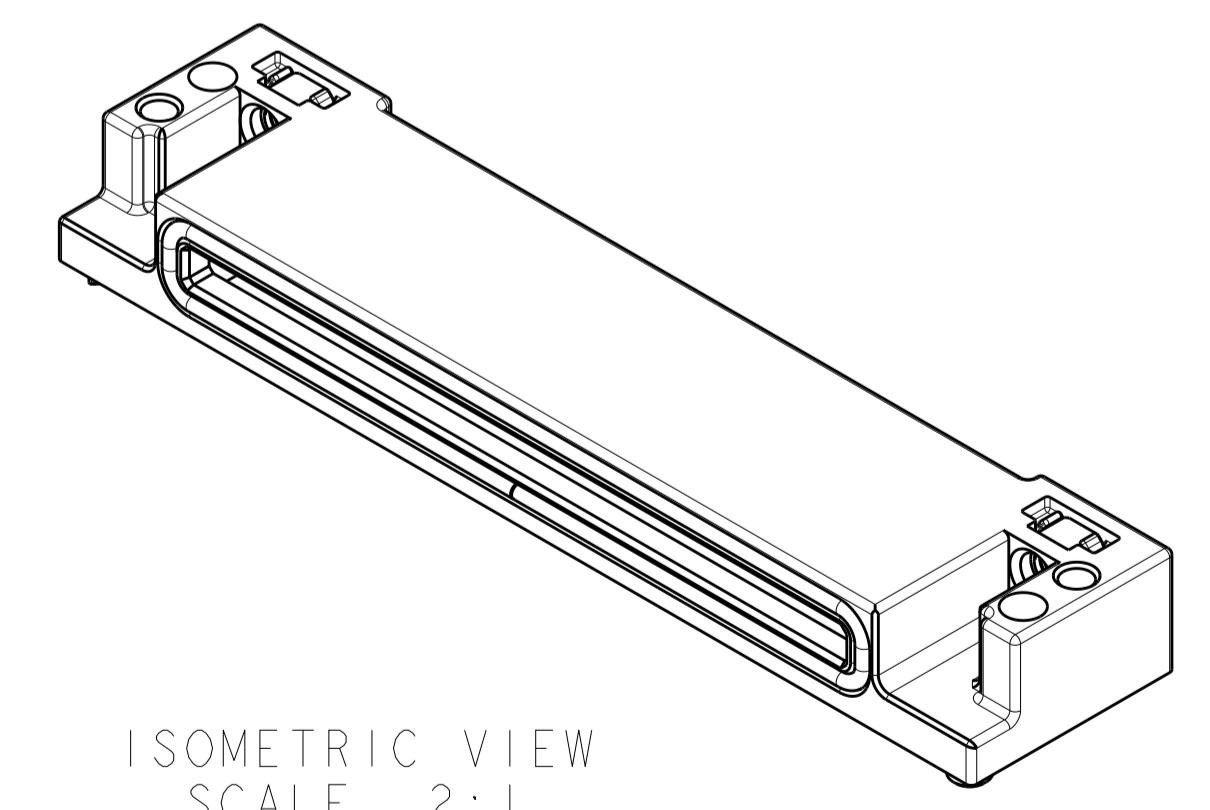
(10.00)
2X

(Ø3.20)

M3x0.5
TAPPED HOLE

M3 x 0.5
TAPPED HOLE

Ø3.20



ISOMETRIC VIEW
SCALE 2:1

2057631-1
PART NUMBER

THIS DRAWING IS A CONTROLLED DOCUMENT. DIMENSIONING AND TOLERANCING PER ASME Y14.5M-2009.		DWN P. KERLIN 07NOV2008	TE Connectivity	
DIMENSIONS: mm		CHK E. BRIGHT 07NOV2008	NAME COVER ASSEMBLY, HOST CONNECTOR, 100 GIG, CFP	
TOLERANCES UNLESS OTHERWISE SPECIFIED:		APVD	PRODUCT SPEC 108-2399	
0 PLC ±		APPLICATION SPEC		
1 PLC ±0.10		SIZE A100779		
2 PLC ±		CAGE CODE C=2057631		
3 PLC ±		WEIGHT		
4 PLC ±		CUSTOMER DRAWING		
ANGLES ±		SCALE 5:1 SHEET 1 OF 1 REV B		
FINISH				

单击下面可查看定价，库存，交付和生命周期等信息

[>>TE Connectivity\(泰科\)](#)