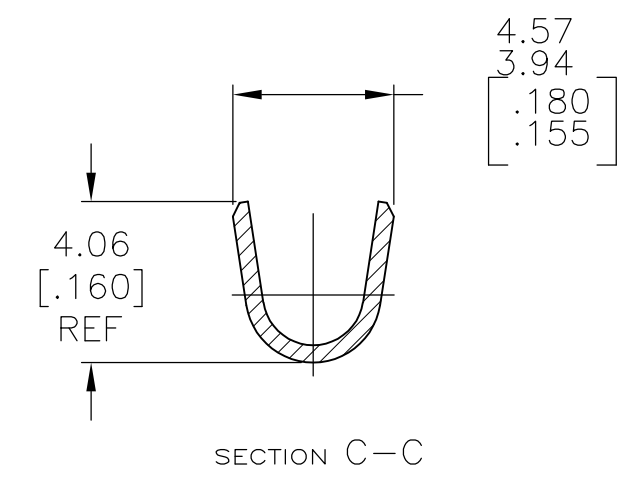
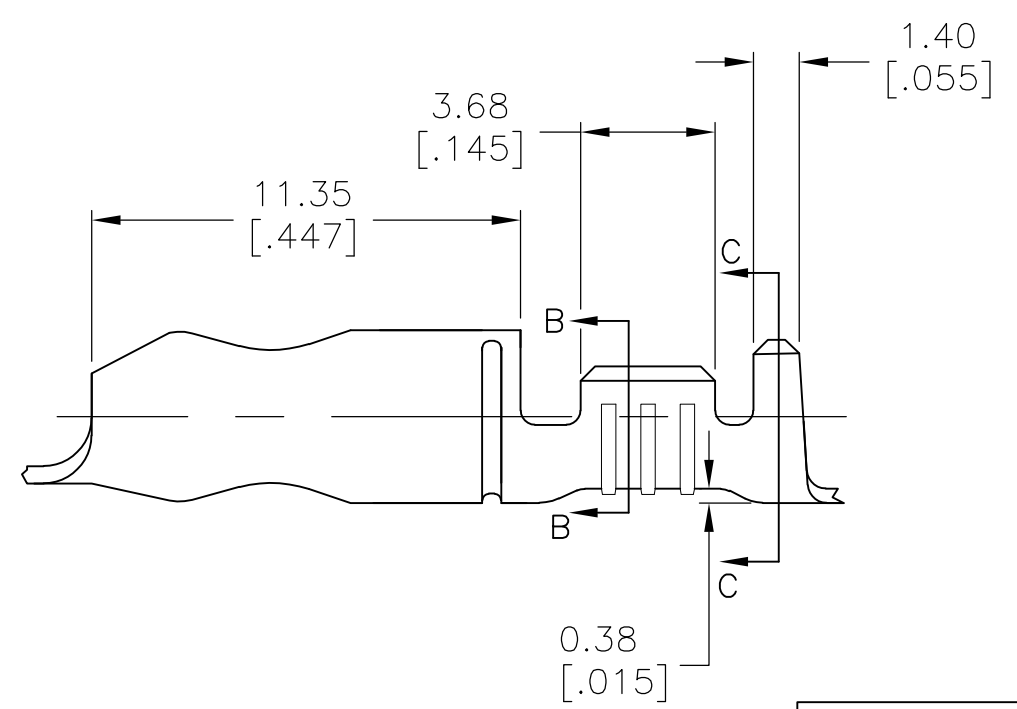
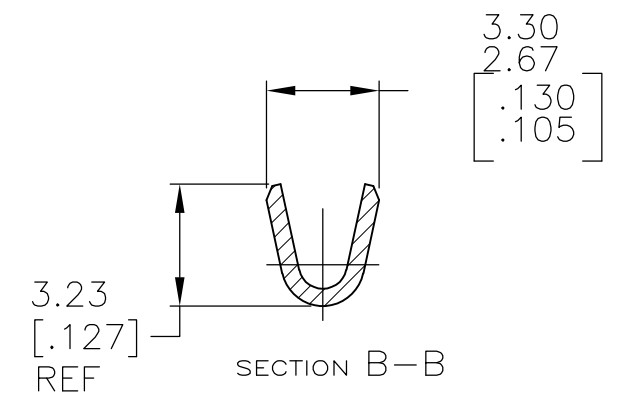
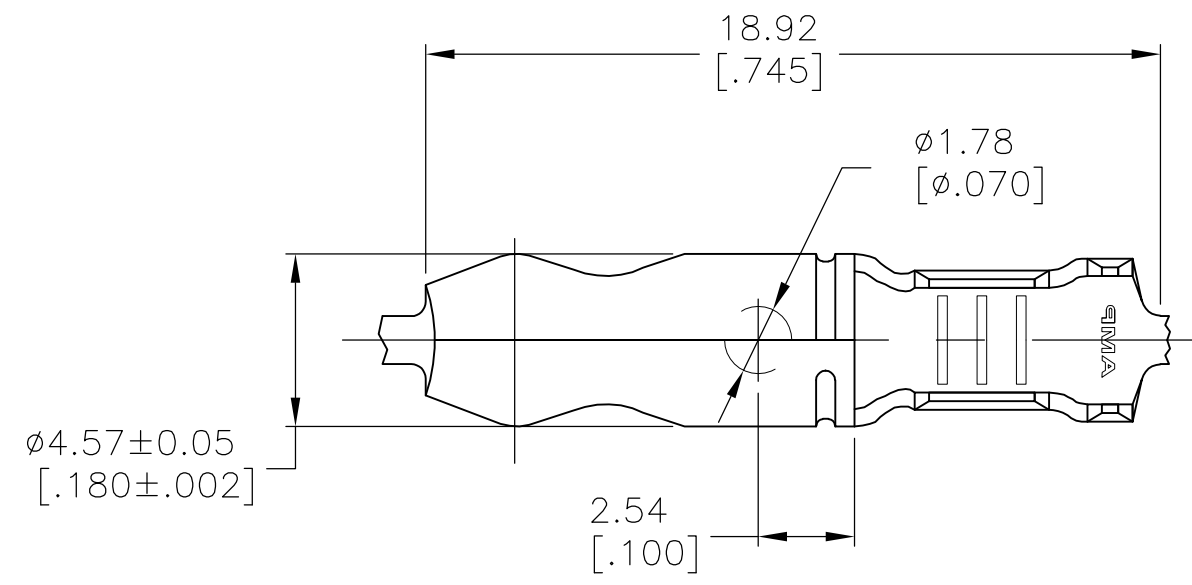


THIS DRAWING IS UNPUBLISHED. RELEASED FOR PUBLICATION  
 © COPYRIGHT BY TYCO ELECTRONICS CORPORATION. ALL RIGHTS RESERVED.

LOC	DIST	REVISIONS			
P	LTR	DESCRIPTION	DATE	DWN	APVD
AF	50	D1	ECR-07-026634 (REDRAWN IN AUTOCAD)	20NOV07	HMR DD

- 1 CONTINUOUS STRIP ON REELS.
- 2 WIRE RANGE: 20-16 AWG
- 3 INSULATION RANGE: 2.29-3.18 [.090-.125] DIA.



OBSOLETE	TIN	505038-2
	NONE	505038-1
	FINISH	PART NO

THIS DRAWING IS A CONTROLLED DOCUMENT.		DWN RAGHAVENDRA 20NOV2007	Tyco Electronics Tyco Electronics Corporation Harrisburg, PA 17105-3608	
DIMENSIONS: mm [INCHES]	TOLERANCES UNLESS OTHERWISE SPECIFIED:	CHK D DECKER 20NOV2007	NAME	
	0 PLC ± -	APVD D DECKER 20NOV2007	PRODUCT SPEC	
	1 PLC ± -		APPLICATION SPEC	
	2 PLC ± 0.38 [.015]		SIZE CAGE CODE DRAWING NO RESTRICTED TO	
	3 PLC ± -		A3 00779 C-505038	
MATERIAL BRASS	FINISH SEE TABLE	4 PLC ± -	WEIGHT -	
		ANGLES ± 1°	CUSTOMER DRAWING	
			SCALE 5:1 SHEET 1 OF 1 REV D1	

单击下面可查看定价，库存，交付和生命周期等信息

[>>TE Connectivity\(泰科\)](#)