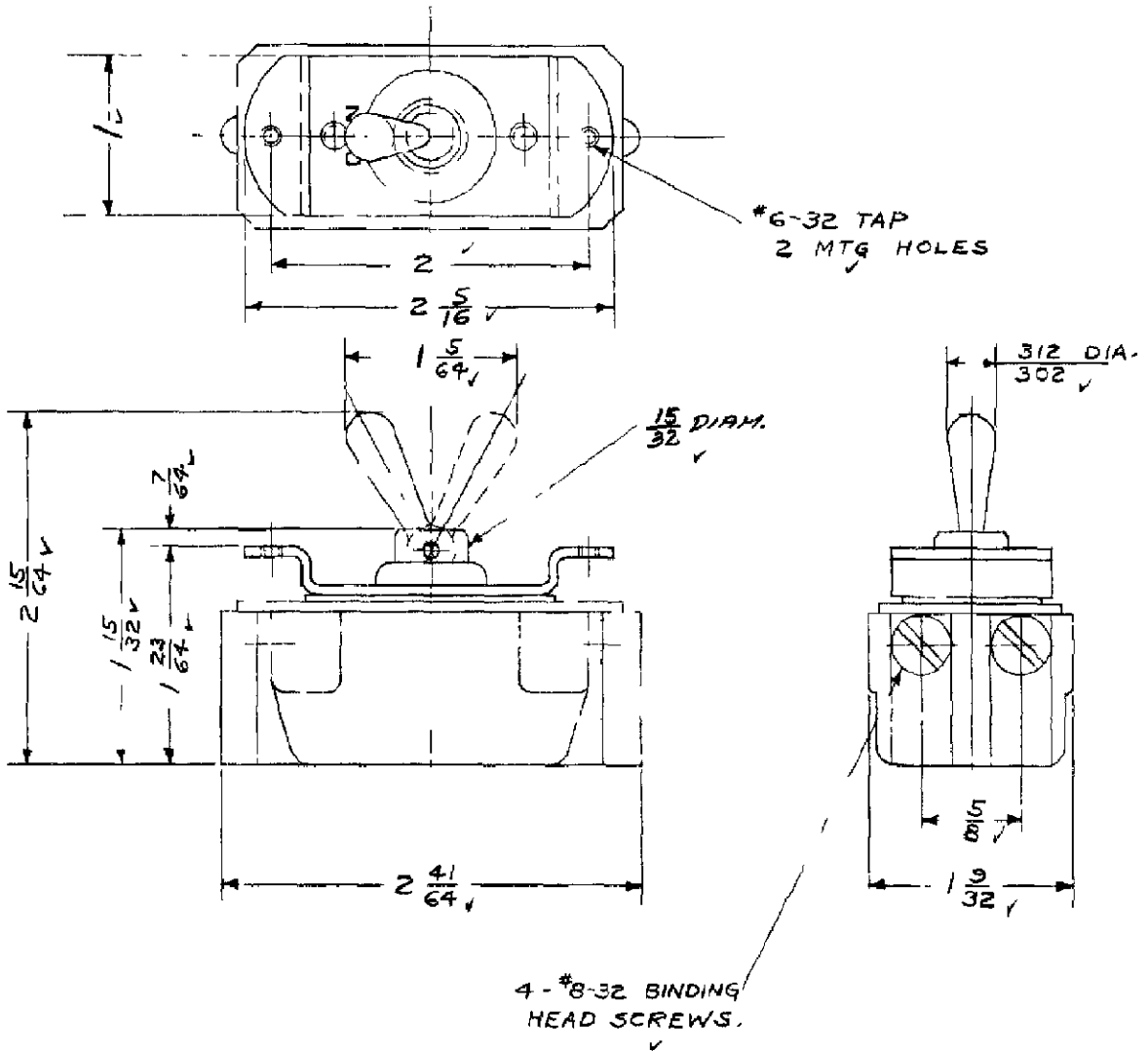


A 90-348

RAW MAT SPEC WITH
PART NO. AND AMOUNT REQ'D.



BULLETIN

DIMENSIONS FOR 20 AMP, 250V, 3 HOLE MTG. TOOL HANDLE SWITCH

A	2 7/16 DIAM. WAS 1 15/32 DIAM DEV. 3140-10148	J.H.M. 3076 10-2-45 UNK	DR E. P. Leonard 7/20/40	FIRST ASSEM. WHERE LISTED D 90-342
B	15/32 WAS 2 7/16 DIAM DEV. 3140-10237	J.H.M. 3076 10-2-45 UNK	CHK J. Raeh 10/4/40	SUP S.
C			APP. Geo. J. J. J. 10/5/40	NON-INTERCHANGEABLE SUP D BY
D				NON-INTERCHANGEABLE SURFACE COATING
E				DO NOT SCALE DRAWING. WORK ACCORDING TO DIMENSIONS.
F				STANDARD TOLERANCES 80-875 APPLY TO DIMENSIONS FOR WHICH TOLERANCES ARE NOT SPECIFIED.
			ORDER NO. DEV. 4041-10	SCALE 1" = 1"

CUTLER-HAMMER, INC. MILWAUKEE NEW YORK

A 90-348

FORM 4 IMPROVED NOV. 1935

单击下面可查看定价，库存，交付和生命周期等信息

[>>TE Connectivity\(泰科\)](#)