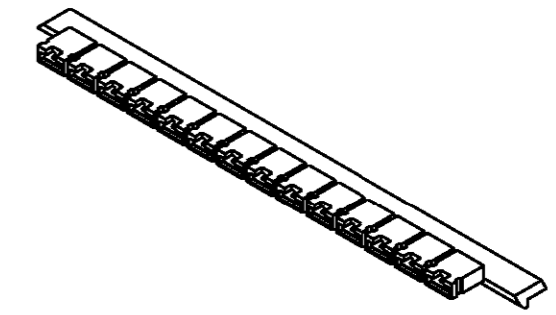
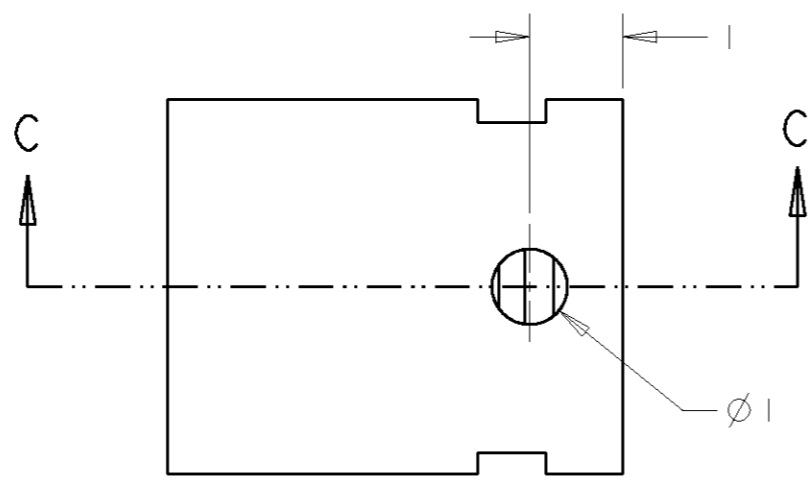
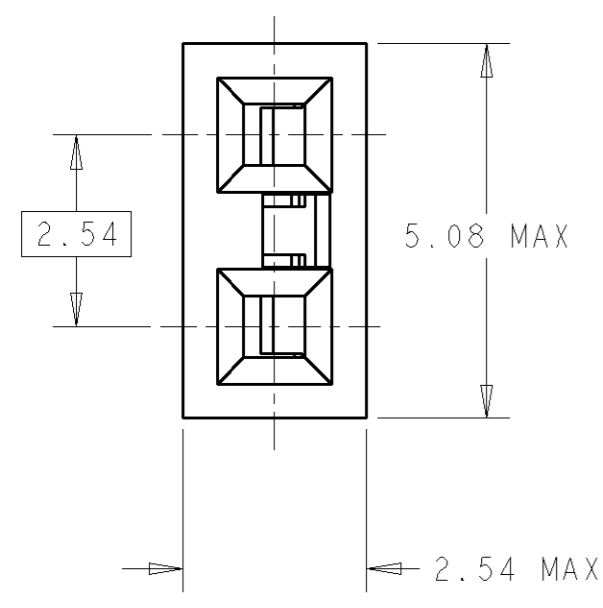
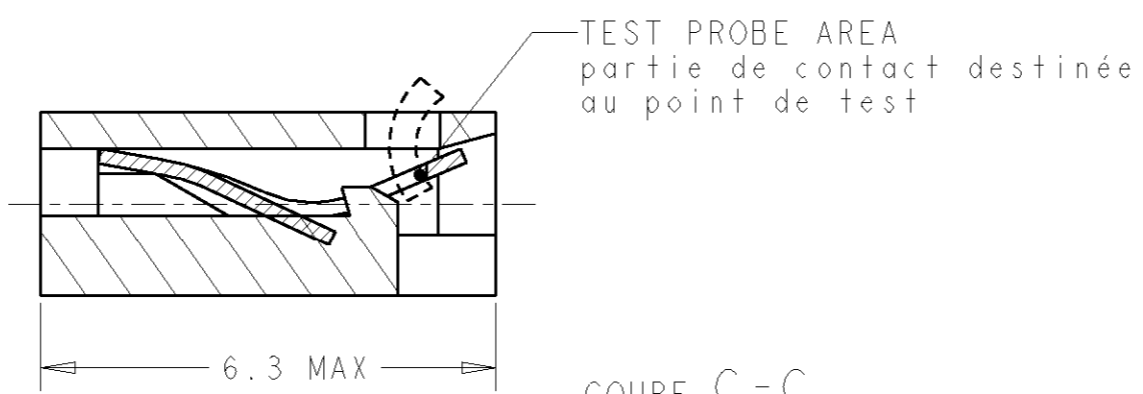


THIS DRAWING IS UNPUBLISHED.
 DIFFUSION RESTREINTE
 © COPYRIGHT - BY - ALL RIGHTS RESERVED.
 TOUS DROITS RESERVES

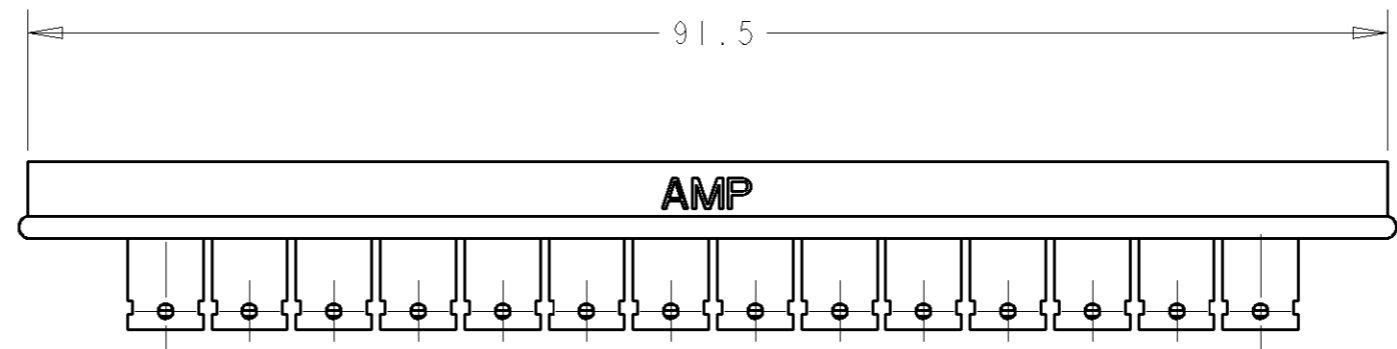
LOC F	DIST 00	REVISIONS			
P	LTR REV	DESCRIPTION MODIFICATIONS	DATE	DWN DESS.	APVD APP.
	D	RESIN CHANGED FROM PRE TO POST COLORED	20DEC2016	RP	PS



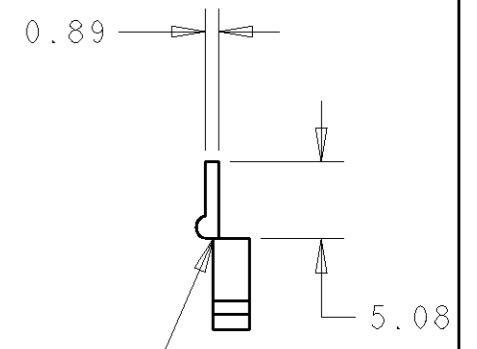
SCALE 1:1



COUPE C-C
Section C-C



13 SPACES AT 5.59 PITCH
13 espaces au pas de 5.59



BREAK AREA
Zone de séparation

NOTES :
 1- MATES WITH 0.62X0.62 PINS
 à utiliser avec bornes de 0.62X0.62mm
 2- MATERIAL:
 HOUSING : GLASS-FILLED PBT,
 PBT chargé verre UL 94V0
 CONTACT : BERYLLIUM COPPER -CuBe
 FINISH : SEE TABLE - voir table

GOLD PLATED doré, 1 micron	GREY gris	142270-7
GOLD PLATED, CONTACT AREA doré zone de contact, 1 micron	GREEN vert	142270-5
TIN PLATED, LEAD FREE étamé à 3 microns	BLACK noir	142270-3
GOLD PLATED, CONTACT AREA doré zone de contact 0.4 microns	GREEN vert	142270-1
CONTACT FINITION	HOUSING COLOR CODE	PART NUMBER SHUNT ASS'Y

DIMENSIONS: mm		TOLERANCES UNLESS OTHERWISE SPECIFIED: TOLERANCES NON SPECIFIEES: (SUIV NB DE DECIMALES): 0 PLC/DEC: ±0.3 1 PLC/DEC: ±0.3 2 PLC/DEC: ± 3 PLC/DEC: ± 4 PLC/DEC: ± ANGLES ±3		DWN/DESSINE 02DEC2003 JJ. DESPRETZ		TE Connectivity	
MATERIAL/MATIERE SEE NOTE		FINISH/FINITION CONTACT SEE TABLE		CHK/VERIFIE Y-PETRONIN		NAME TITRE SHUNT CONTACT ASS'Y PITCH 2.54 mm	
				APVD/APPROUVE Y-PETRONIN		SIZE FORMAT A3	
				PRODUCT SPEC SPEC. PRODUIT		CAGE CODE 00779	
				APPLICATION SPEC SPEC. APPLICATION		DRAWING NO No PLAN C=142270	
				WEIGHT MASSE APPROX.		RESTRICTED TO RESERVE A	
				CUSTOMER DRAWING /PLAN CLIENT		UNIQUEMENT POUR REFERENCE	
				SCALE ECHELLE 0:1		SHEET FEUILLE	
						OF DE	
						REV D	

单击下面可查看定价，库存，交付和生命周期等信息

[>>TE Connectivity\(泰科\)](#)